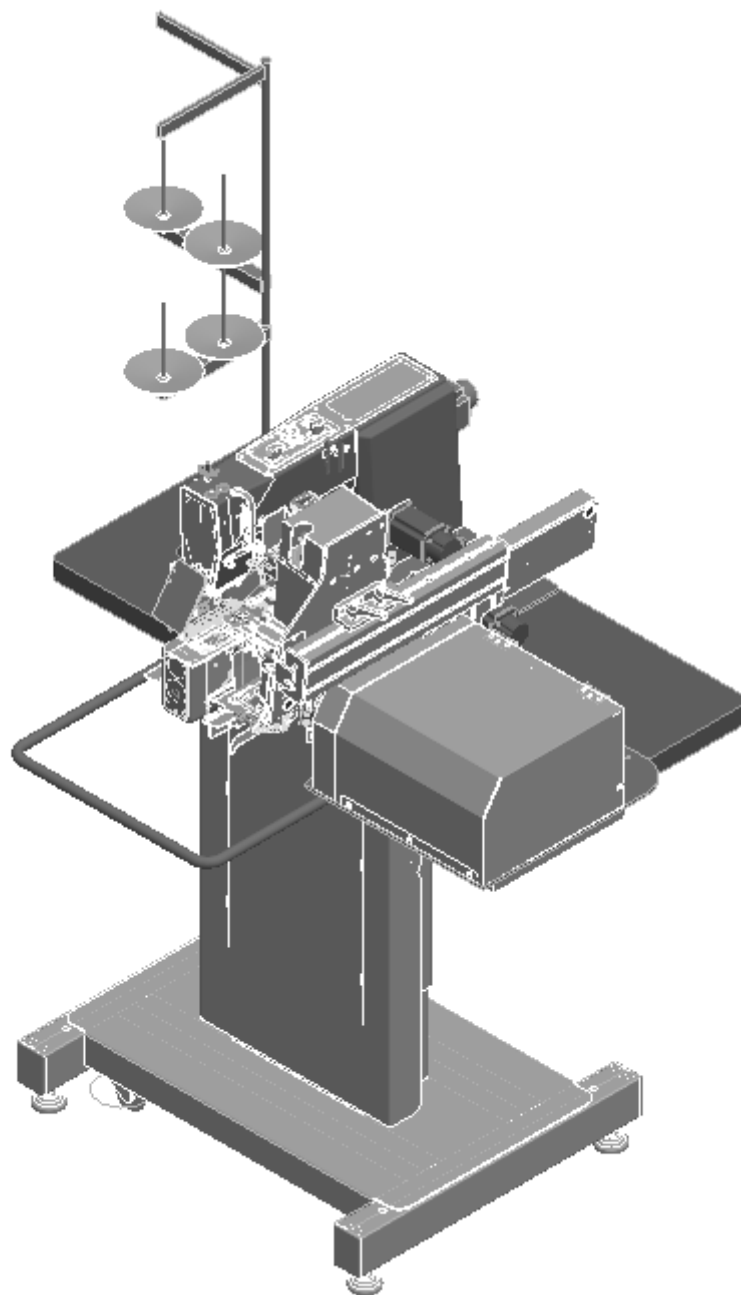


JAM INTERNATIONAL

JT801P

AUTOMATIC BELT LOOP SETTER, TWIN NEEDLE WITH
STANDARD NEEDLE GAUGE

SPARE PARTS

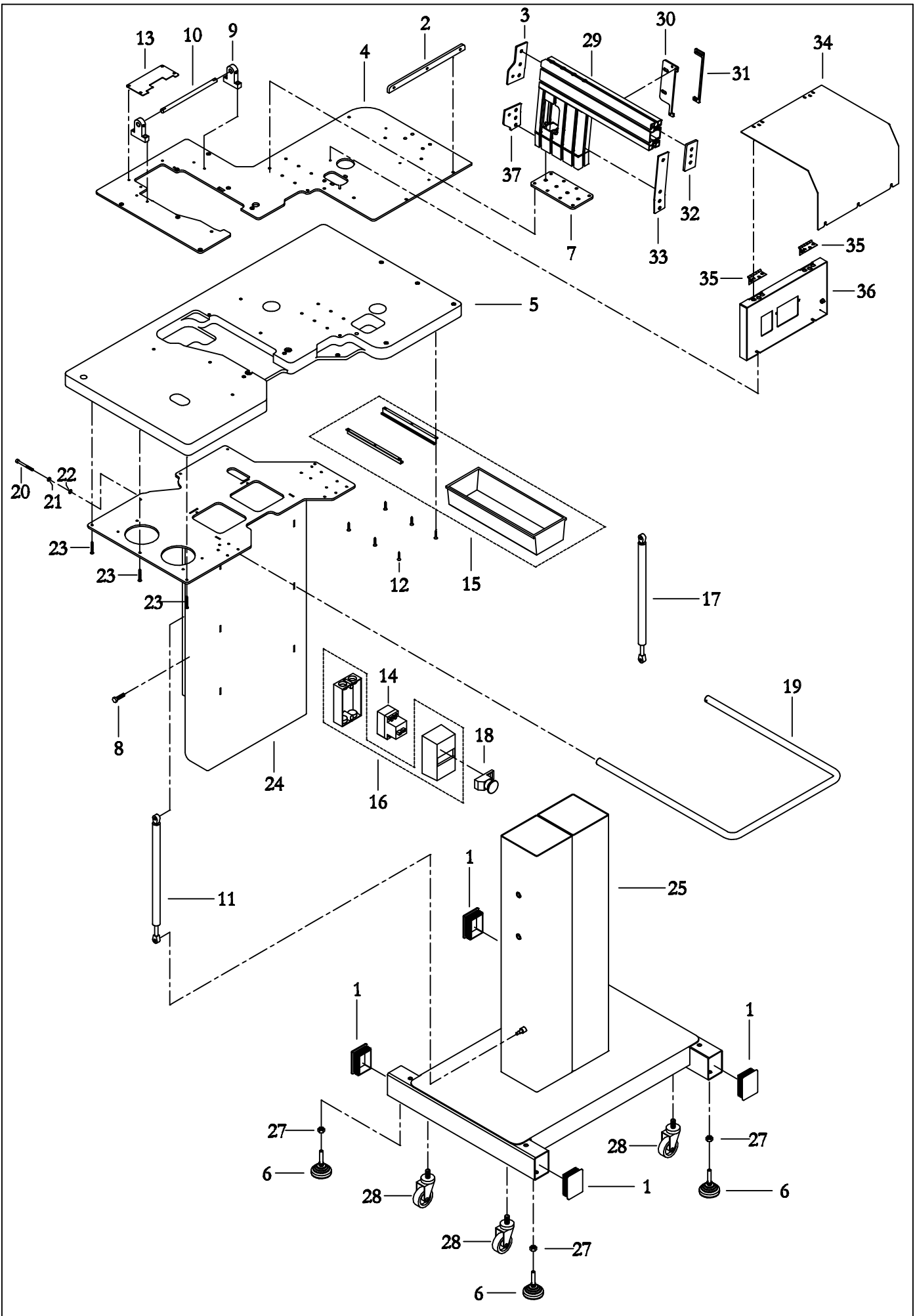


INDEX

Support.....	Pag. 01
Loader Fix Part.....	Pag. 03
Loader Mobile Part.....	Pag. 05
Loader	Pag. 07
Knife (Part 1/2).....	Pag. 09
Knife (Part 2/2).....	Pag. 11
X Assy Table.....	Pag. 13
Y Assy Table.....	Pag. 15
Presser Foot Arm.....	Pag. 17
Loosen Belt Loop Assembly.....	Pag. 19
Clamp Group.....	Pag. 21
Arm Head.....	Pag. 23
Botton Head.....	Pag. 25
Motor and Upper Shaft.....	Pag. 27
Needle Bar and Thread Take-Up.....	Pag. 29
Back Rotary Hook Shaft Parts.....	Pag. 31
Front Rotary Hook Parts.....	Pag. 33
Back Rotary Hook Parts.....	Pag. 35
Back Needle Plate and Back Knife.....	Pag. 37

Front Needle Plate and Front Knife.....	Pag. 39
Thread Tension.....	Pag. 41
Bobbin Winder Mechanism.....	Pag. 43
Control Box.....	Pag. 45
Pneumatic Valves On The Loader.....	Pag. 47
Air Connection.....	Pag. 49
Operation Panel.....	Pag. 51

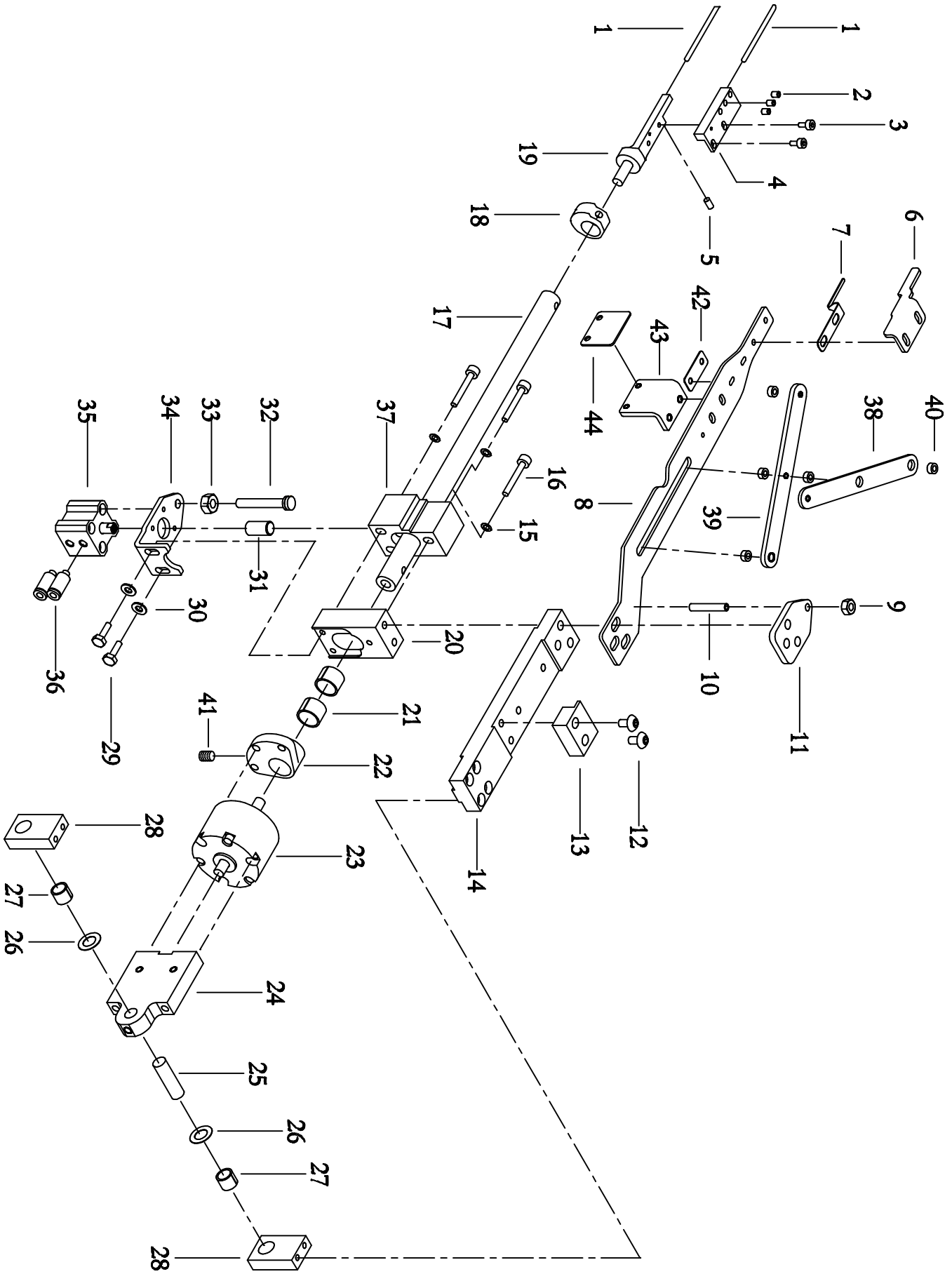
SUPPORT



SUPPORT

REF. NO.	CODE	DESCRIPTION
1	707-10320	PLUG
2	801-10113	PLATE
3	801-10112	PLATE
4	801-10001	PLATE
5	801-10000	TABLE
6	707-10319	FOOT
7	801-10106	PLATE
8	VV-E1230	SCREW
9	706-10237	SUPPORT
10	709-10021	SHAFT
11	708-10013	GAS SPRING
12	VV-A0425	SCREW
13	709-10032	CARTER
14	15-30169	SWITCH
15	29-10318	DRAWER
16	15-30168	SWITCH BOX
17	707-10289	GAS SPRING
18	15-30170	BUTTON
19	706-10634	PANTS SUPPORT BAR
20	VV-C0660	SCREW
21	VR-S0600	WASHER
22	VR-P0612	WASHER
23	VV-A4838	SCREW
24	707-10279	UPPER SUPPORT
25	707-10274	INFERIOR SUPPORT
26	VV-B0608	SCREW
27	VD-10NZN	BOLT
28	706-10594	WHEEL
29	801-10109	ARM
30	801-10147	PLATE
31	801-10148	PLATE
32	801-10107	PLATE
33	801-10108	PLATE
34	801-10111	COVER
35	707-10165	HINGE
36	801-10110	COVER
37	801-10162	PLATE

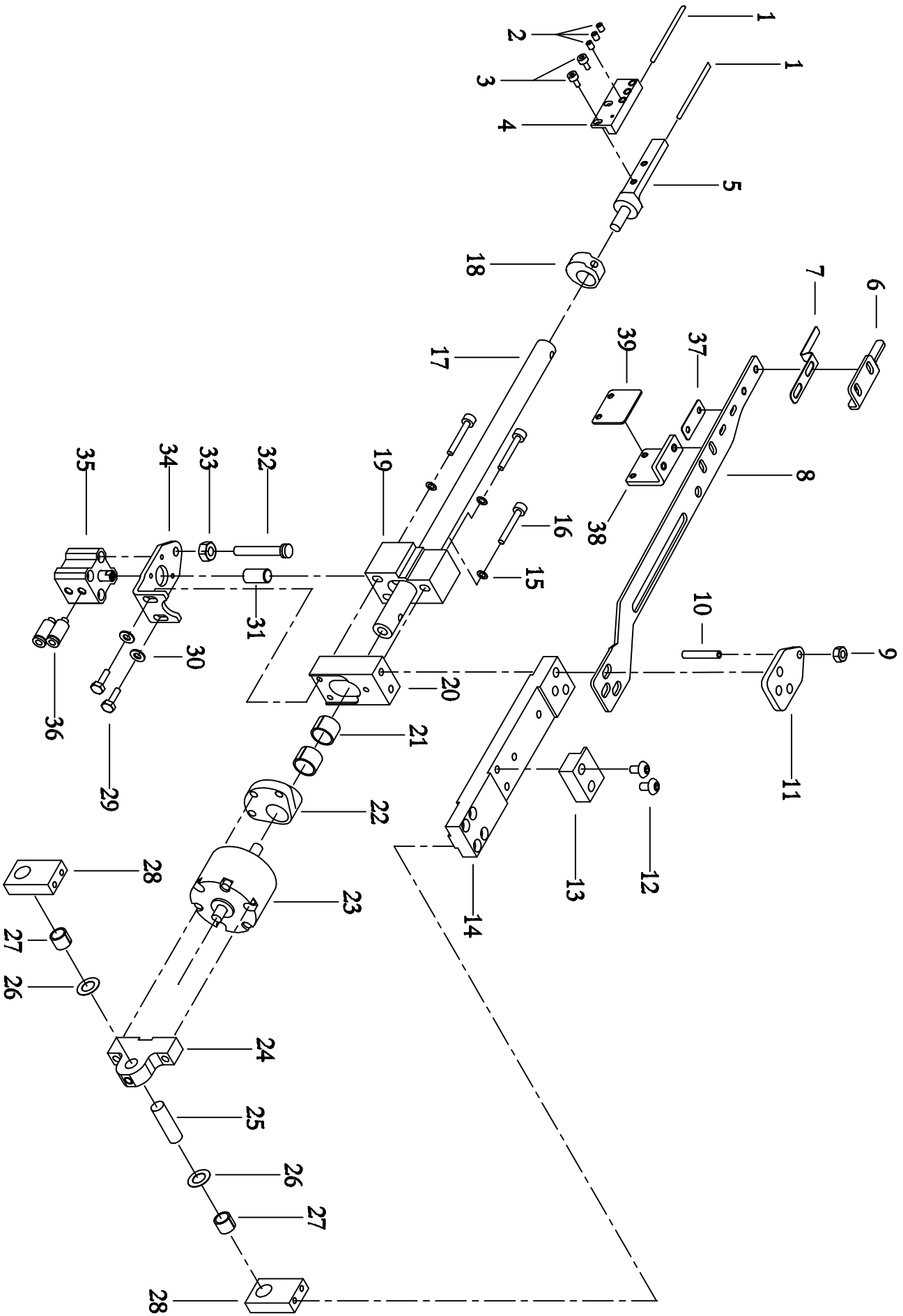
LOADER (Fixed Part)



LOADER (Fixed Arm)

REF. NO.	CODE	DESCRIPTION
1	706-10486	FINGER
2	VG-P0404N	GRUB SCREW
3	VV-C0306	SCREW
4	801-10034	SUPPORT
5	VG-P0406N	GRUB SCREW
6	801-10050	FINGER
7	801-10157	LOOP STOPPER
8	801-10153	PLATE
9	VD-05NZN	NUT
10	VG-P525N	GRUB SCREW
11	801-10155	PLATE
12	VV-B0508	SCREW
13	801-10129	PLATE
14	801-10026	SUPPORT
15	VR-P0409	WASHER
16	VV-C0425	SCREW
17	801-10040	SHAFT
18	801-10036	CAM
19	801-10032	SUPPORT
20	801-10027	SUPPORT
21	801-10158	GLICODUR
22	801-10149	SUPPORT
23	801-30002	CYLINDER
24	801-10030	SUPPORT
25	801-10039	CYLINDRICAL PIN
26	VR-08140,3	WASHER
27	762-10349	GLICODUR
28	801-10028	SUPPORT
29	VV-E0412	SCREW
30	VR-P0409	WASHER
31	801-10128	CYLINDRICAL PIN
32	762-10234	GRUB SCREW
33	VD-06NZN	NUT
34	801-10127	SUPPORT
35	T100-20002	CYLINDER
36	15-20030	PIPE FITTING
37	801-10029	SUPPORT
38	801-10183	LEVER
39	801-10182	LEVER
40	11-19112	DISTANZE PIECE
41	801-10272	GRUB SCREW
42	801-10201	PLATE
43	801-10172	SUPPORT
44	801-10202	PLATE

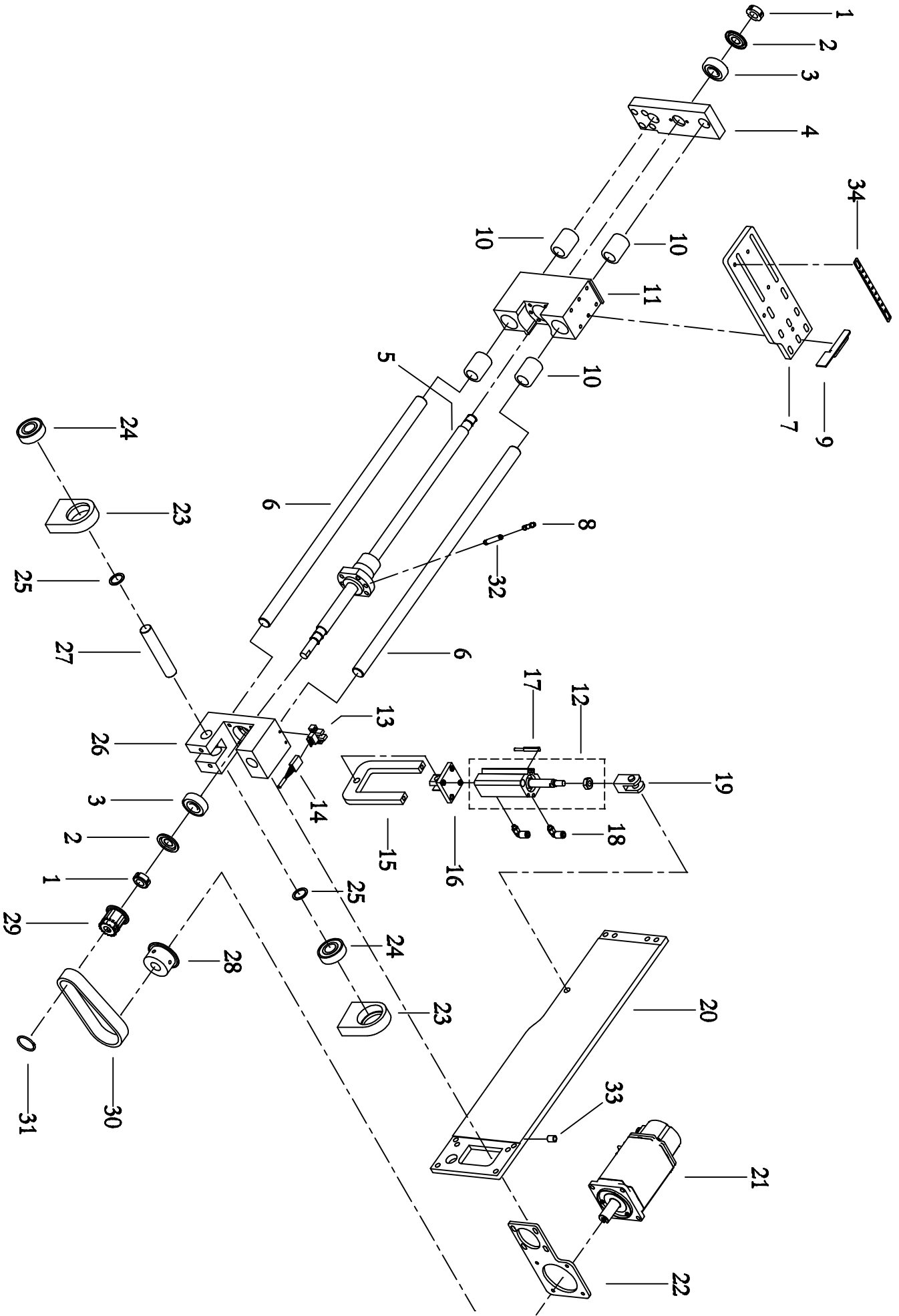
LOADER (Mobile Arm)



LOADER (Mobile Arm)

REF. NO.	CODE	DESCRIPTION
1	706-10486	FINGER
2	VG-P0404N	GRUB SCREW
3	VV-C0306	SCREW
4	801-10035	SUPPORT
5	801-10033	SUPPORT
6	801-10051	FINGER
7	801-10157	LOOP STOPPER
8	801-10154	PLATE
9	VD-05NZN	NUT
10	VG-P525N	GRUB SCREW
11	801-10155	PLATE
12	VV-B0508	SCREW
13	801-10129	PLATE
14	801-10026	SUPPORT
15	VR-P0409	WASHER
16	VV-C0425	SCREW
17	801-10040	SHAFT
18	801-10036	CAM
19	801-10029	SUPPORT
20	801-10027	SUPPORT
21	801-10158	GLICODUR
22	801-10149	SUPPORT
23	801-30002	CYLINDER
24	801-10031	SUPPORT
25	801-10039	CYLINDRICAL PIN
26	VR-08140,3	WASHER
27	762-10349	GLICODUR
28	801-10028	SUPPORT
29	VV-E0412	SCREW
30	VR-P0409	WASHER
31	801-10128	CYLINDRICAL PIN
32	762-10234	GRUB SCREW
33	VD-06NZN	NUT
34	801-10127	SUPPORT
35	T100-20002	CYLINDER
36	15-20030	PIPE FITTING
37	801-10201	PLATE
38	801-10172	SUPPORT
39	801-10202	PLATE

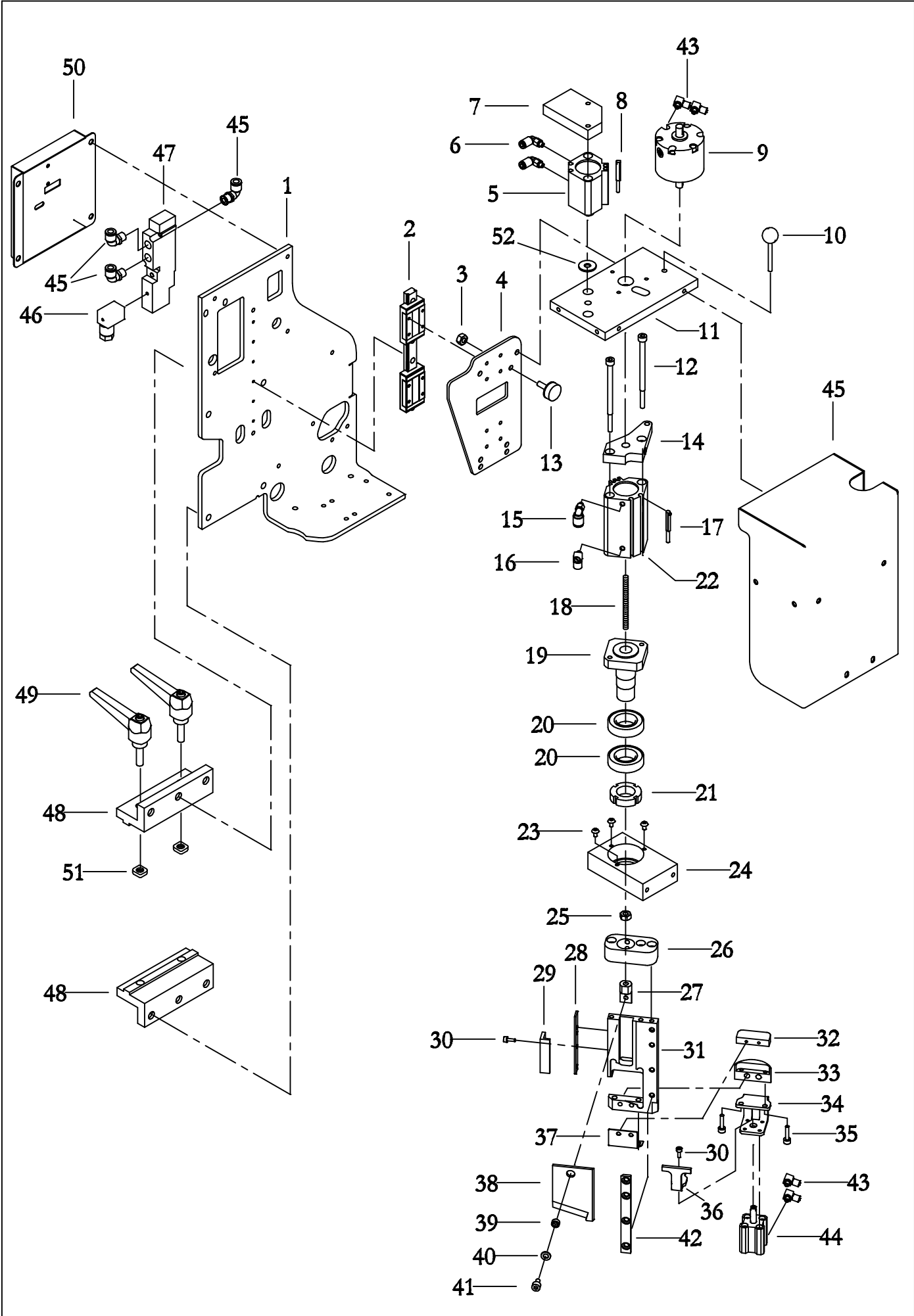
LOADER



LOADER

REF. NO.	CODE	DESCRIPTION
1	VG-12ABN	SELFLOCKING NUT
2	ATC-7201AVH	RETAINING RING
3	31-10179	BEARING
4	801-10024	SUPPORT
5	801-10043	RECIRCULATING BALL SCREW
6	801-10042	SHAFT
7	801-10020	PLATE
8	VIN-PM6	GRASER
9	801-10093	READER
10	18-10658	BEARING
11	801-10025	SUPPORT
12	801-20007	CYLINDER
13	706-30123	SENSOR
14	31-30001	CONNECTOR
15	801-10022	SUPPORT
16	R01-10078	CYLINDER ANCHORAGE
17	864-30002	SENSOR
18	15-20007	SCREW
19	801-10122	FORK
20	801-10019	PLATE
21	776-30004	CYLINDER
22	801-10021	CYLINDER ANCHORAGE
23	801-10037	SUPPORT
24	31-10180	BEARING
25	762-10337	DISTANZE PIECE
26	801-10023	SUPPORT
27	801-10038	SHAFT
28	M525-10059	PULLEY
29	15-10812	PULLEY
30	801-10189	BELT
31	VS-7433-24	SEGER
32	801-10185	SUPPORT
33	801-10194	DISTANZE PIECE
34	801-10225	RULER

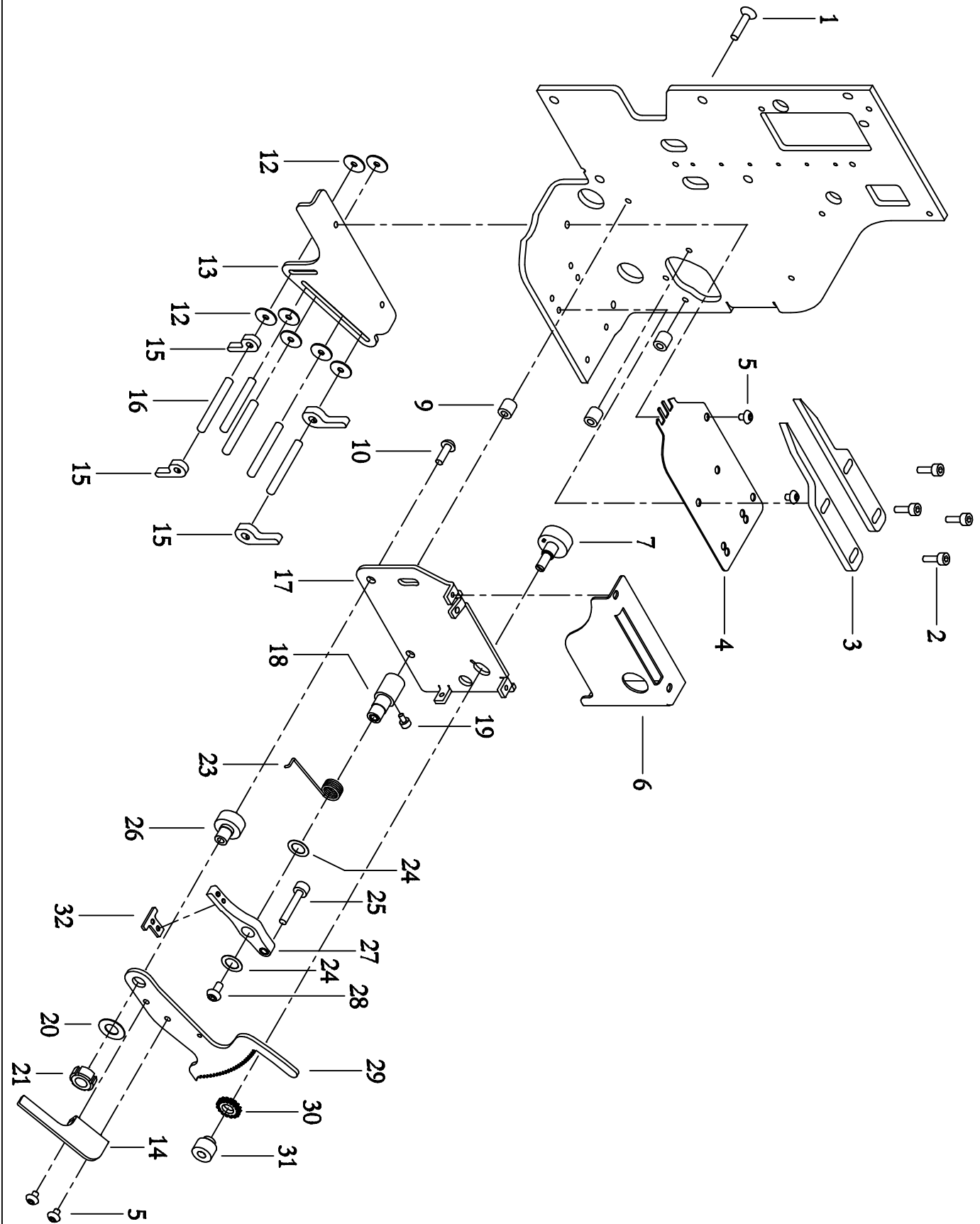
KNIFE MECHANISM (1/2)



KNIFE MECHANISM(1/2)

REF. NO.	CODE	DESCRIPTION
1	801-10064	ANCHORAGE PLATE
2	801-10091	GUIDE
3	VD-06NZN	NUT
4	801-10069	PLATE
5	801-10197	CYLINDER
6	15-20007	PIPE FITTING
7	801-10078	PLATE
8	864-30002	SENSOR
9	R01-20004	CYLINDER
10	38-10900	DOWEL PIN
11	801-10079	PLATE
12	VV-C0585	SCREW
13	JMAN-10282	PUFFER
14	801-10080	PLATE
15	38-20205	PIPE FITTING
16	38-20170	PIPE FITTING
17	801-10092	CARTER
18	VG-P650N	GRUB SCREW
19	801-10083	PIVOT
20	709-10183	BEARING
21	VG-20ABN	SELFLOCKING NUT
22	801-20003	CYLINDER
23	VV-B0406	SCREW
24	801-10081	PLATE
25	VD-06NZN	NUT
26	801-10082	ANCHORAGE PLATE
27	801-10086	ANCHORAGE
28	801-10087	PLATE
29	706-10441	PLATE
30	VV-C0308	SCREW
31	801-10085	SUPPORT
32	706-10667	BLADE
33	801-10089	SUPPORT
34	801-10144	SUPPORT
35	VV-C0416	SCREW
36	801-10145	LOOP STOPPER
37	801-10130	PLATE
38	801-10088	BLADE
39	706-10604	BUSH
40	VR-P0510	WASHER
41	VV-C0508	SCREW
42	706-10442	GUIDE
43	38-20171	PIPE FITTING
44	31-20010	CYLINDER
45	38-20187	PIPE FITTING
46	38-30194	CONNECTOR
47	18-20831	ELECTRO-VALVE
48	801-10077	SUPPORT
49	801-10177	HANDLE
50	801-10184	COVER
51	VD-08QZN	NUT
52	801-10198	DISTANCE PIECE

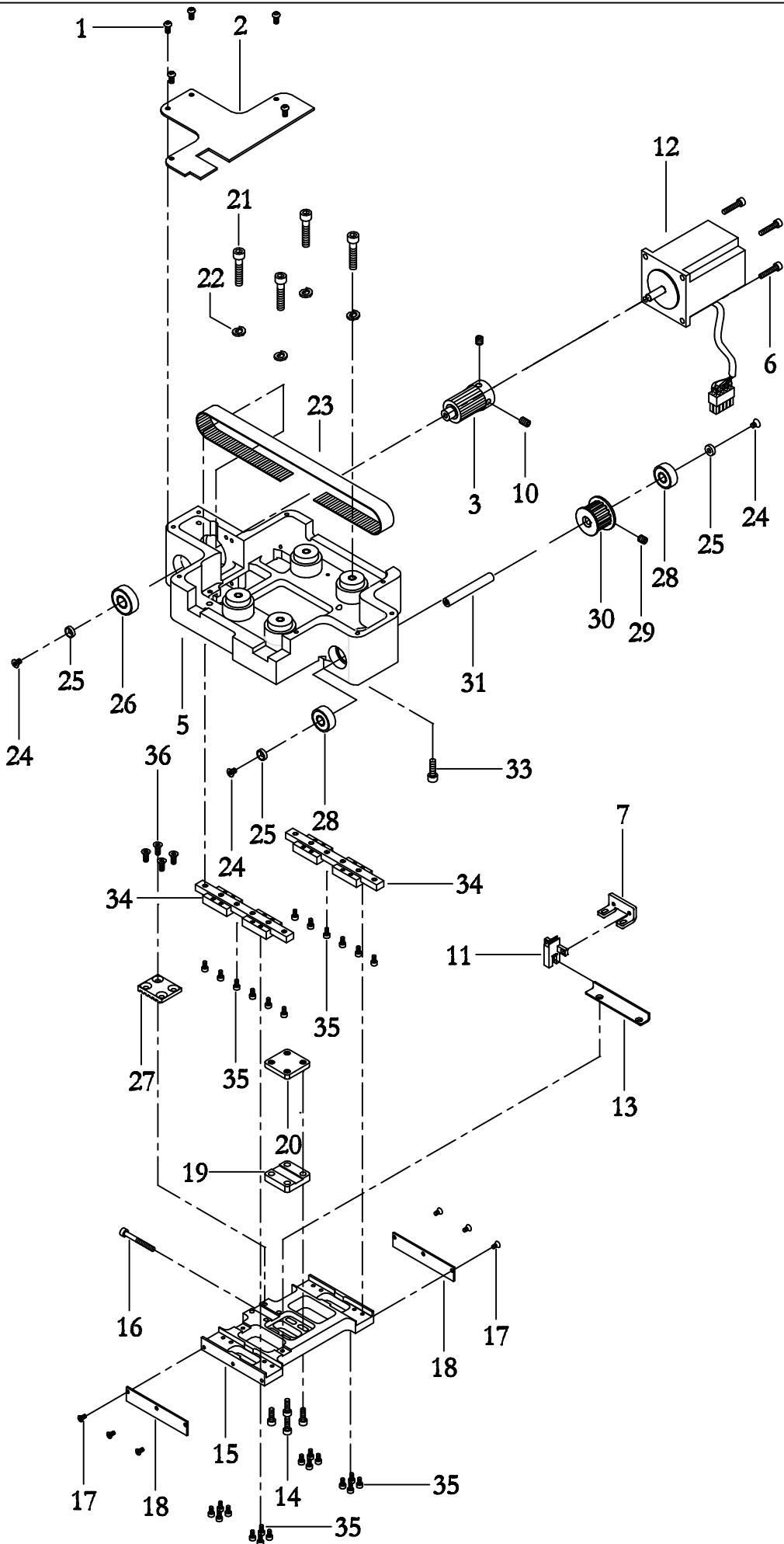
KNIFE MECHANISM (2/2)



KNIFE MECHANISM(2/2)

REF. NO.	CODE	DESCRIPTION
1	VV-S0625	SCREW
2	VV-C0514	SCREW
3	801-10090	LOOP STOPPER
4	801-10065	PLATE
5	VV-B0506	SCREW
6	801-10150	CARTER
7	801-30000	POTENTIOMETER
8	xxx-xxxxxx	xxxxxxxxx
9	801-10194	DISTANCE PIECE
10	VV-B0616	SCREW
11	xxx-xxxxxx	xxxxxxxxx
12	VR-P0416	WASHER
13	801-10135	SUPPORT
14	801-10134	FEELER
15	801-10170	LOOP STOPPER
16	801-10139	SHAFT
17	801-10066	SUPPORT
18	801-10137	PIVOT
19	VV-C0406	SCREW
20	801-10072	WASHER
21	VG-10ABN	SELFLOCKING NUT
22	xxx-xxxxxx	xxxxxxxxx
23	707-10248	SPRING
24	VR-10160,3	WASHER
25	VV-C0630	SCREW
26	801-10076	PIVOT
27	801-10136	FEELER
28	VV-B0610	SCREW
29	801-10067	LEVER
30	801-10074	GEAR
31	801-10075	SUPPORT
32	801-10174	PLATE

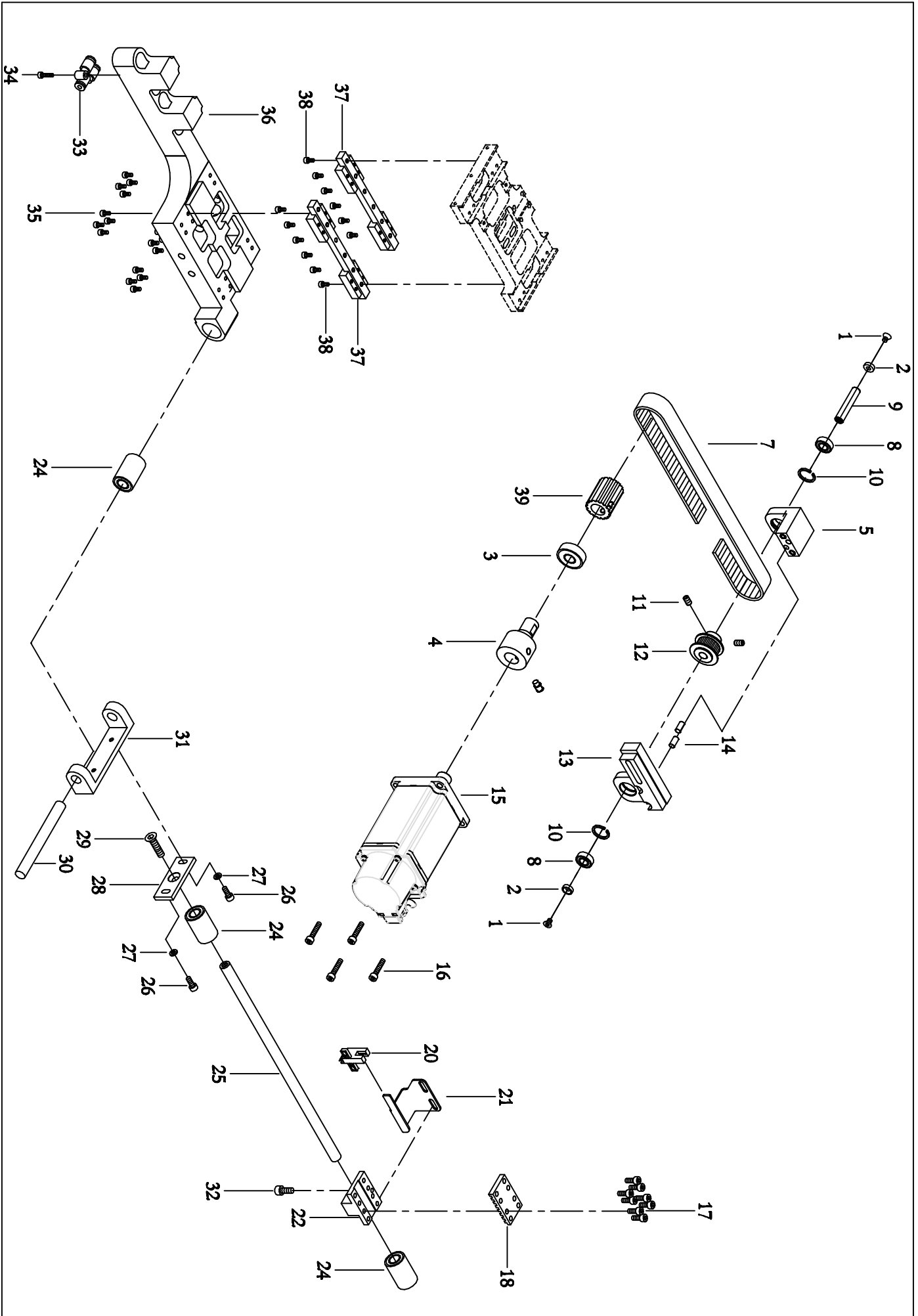
X ASSY TABLE



X ASSY TABLE

REF. NO.	CODE	DESCRIPTION
1	VV-B0406	SCREW
2	706-10255	COVER LEFT
3	707-10293	PULLEY
4	707-10294	SUPPORT
5	709-10004	TABLE
6	VV-C0420	SCREW
7	707-10035	SENSOR'S SUPPORT
8	xxx-xxxxx	xxxxxxxxx
9	xxx-xxxxx	xxxxxxxxx
10	VG-P608F	GRUB SCREW
11	240-30002	SENSOR
12	706-30125	MOTOR
13	707-10036	X ASSY READER
14	VV-C0412	SCREW
15	706-10256	UPPER CROSS
16	VV-C0430	SCREW
17	VV-B0306	SCREW
18	706-10342	SIGHT
19	706-10271	CURSOR
20	706-10272	PLATE
21	VV-C0630	SCREW
22	VR-S0600	WASCHER
23	706-10582	BELT
24	VV-S0406	SCREW
25	18-10139	WASCHER
26	18-10556	BUSCHING
27	706-10273	PLATE
28	706-10403	BUSCHING
29	26-40016	GRUB SCREW
30	706-10619	PULLEY
31	706-10275	SHAFT
32	xxx-xxxxx	xxxxxxxxx
33	VV-C0516	SCREW
34	706-10343	GUIDE X ASSY
35	VV-C0306	SCREW

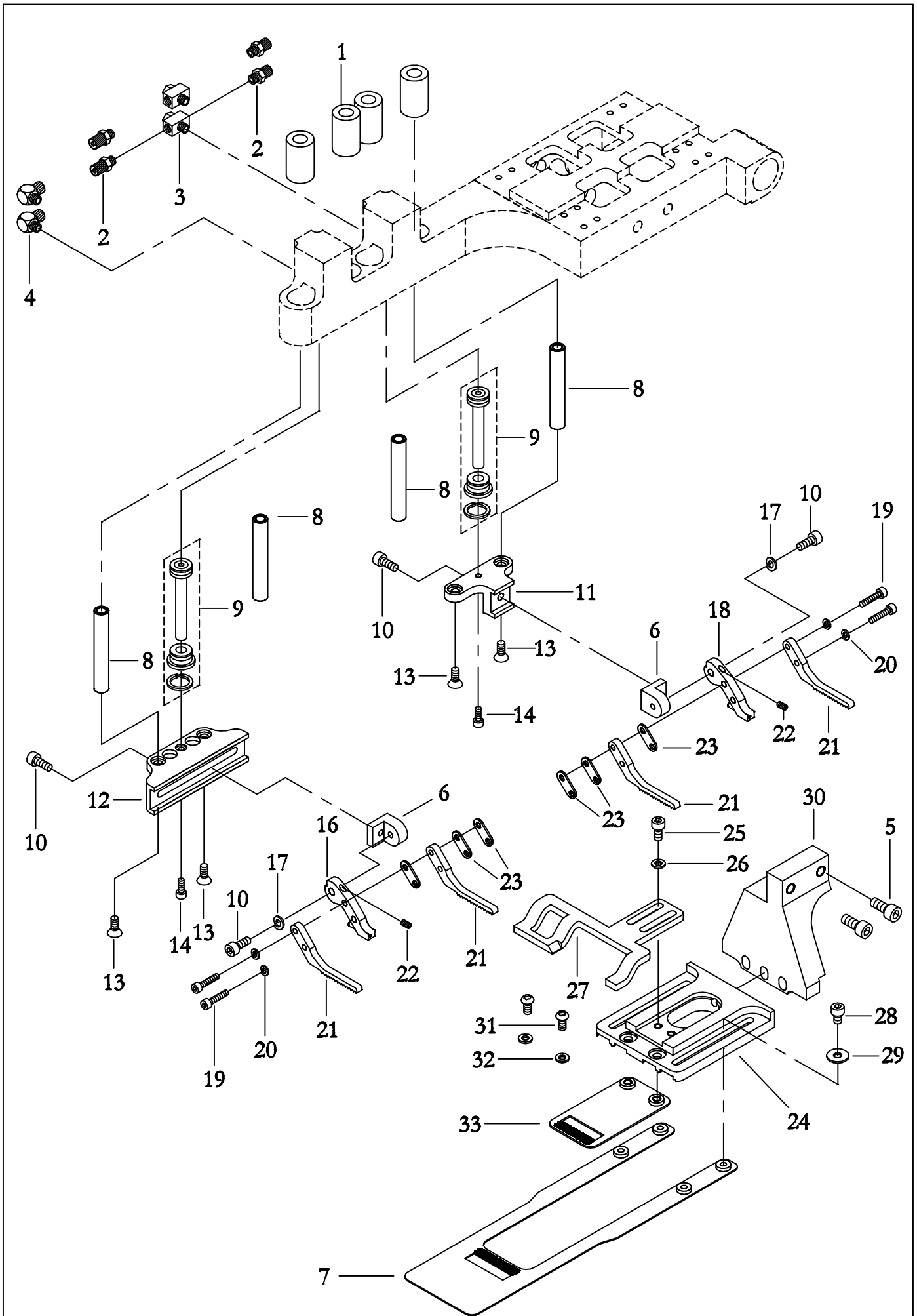
Y ASSY TABLE



Y ASSY TABLE

REF. NO.	CODE	DESCRIPTION
1	VV-S0406	SCREW
2	18-10139	WASCHER
3	31-10125	BUSCHING
4	709-10017	HUB
5	709-10025	PULLEY SUPPORT
6	VG-P608F	GRUB SCREW
7	709-10058	BELT
8	706-10773	BUSCHING
9	706-10522	SHAFT
10	B048160-242	SEGEER
11	26-40016	GRUB SCREW
12	706-10619	PULLEY
13	709-10024	SUPPORT PULLEY
14	31-10256	DOWEL PIN
15	776-30004	MOTOR
16	VV-C0420	SCREW
17	VV-C0410	SCREW
18	706-10249	PLATE
19	VV-B0518	SCREW
20	240-30002	SENSOR
21	709-10015	Y ASSY READER
22	706-10365	BUCKLE
23	VG-P606F	GRUB SCREW
24	29-10203	BUSCHING
25	706-10501	SHAFT
26	VV-C0410	SCREW
27	VR-P0409	WASCHER
28	709-10022	PLATE
29	VV-S0620	SCREW
30	706-10264	SHAFT
31	706-10261	FORK
32	VV-C0512	SCREW
33	15-20055	PIPE FITTING
34	VV-C0312	SCREW
35	VV-C0310	SCREW
36	709-10054	ARM CLAMPS
37	706-10344	GUIDE
38	VV-C0310	SCREW
39	709-10018	PULLEY

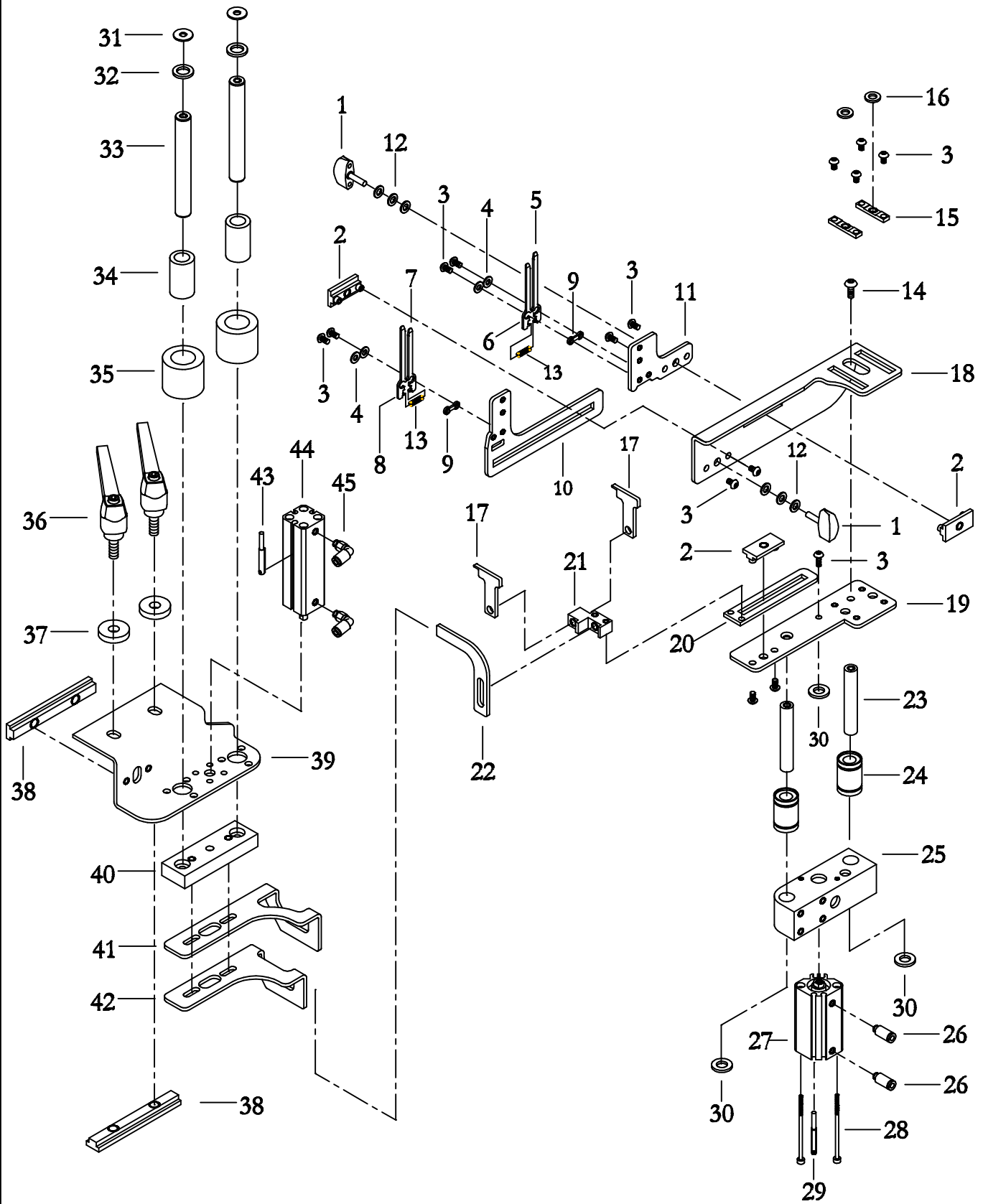
PRESSER FOOT ARM



ARM PRESSER FOOT

REF. NO.	CODE	DESCRIPTION
1	706-10175	BUSCHING
2	38-20219	PIPE FITTING
3	38-20218	PIPE FITTING
4	38-20171	PIPE FITTING
5	VV-C0512	SCREW
6	707-10081	SUPPORT FOOT
7	708-10055	MOBILE INSOLE
8	706-10524	SHAFT
9	706-20019	PISTON ROD
10	VV-C0412	SCREW
11	706-10547	SUPPORT FIX CLAMP
12	708-10158	SUPPORT MOBILE CLAMP
13	VV-S0410	SCREW
14	VV-C0308	SCREW
15	xxx-xxxxx	xxxxxxx
16	707-10240	SUPPORTO FIX FOOT
17	26-40325	WASCHER
18	707-10241	SUPPORT FOOT
19	VV-C0314	SCREW
20	VR-P0307	WASCHER
21	707-10080	PLATE
22	VG-P305N	GRUB SCREW
23	706-10599	SHIM
24	708-10157	SUPPORT INSOLE
25	VV-C0406	SCREW
26	VR-P0412	WASCHER
27	801-10195	PLATE
28	VV-C0406	SCREW
29	VR-P0412	WASCHER
30	709-10003	SUPPORT INSOLE
31	VV-B0406	SCREW
32	VR-P0409	WASCHER
33	707-10300	FIX INSOLE

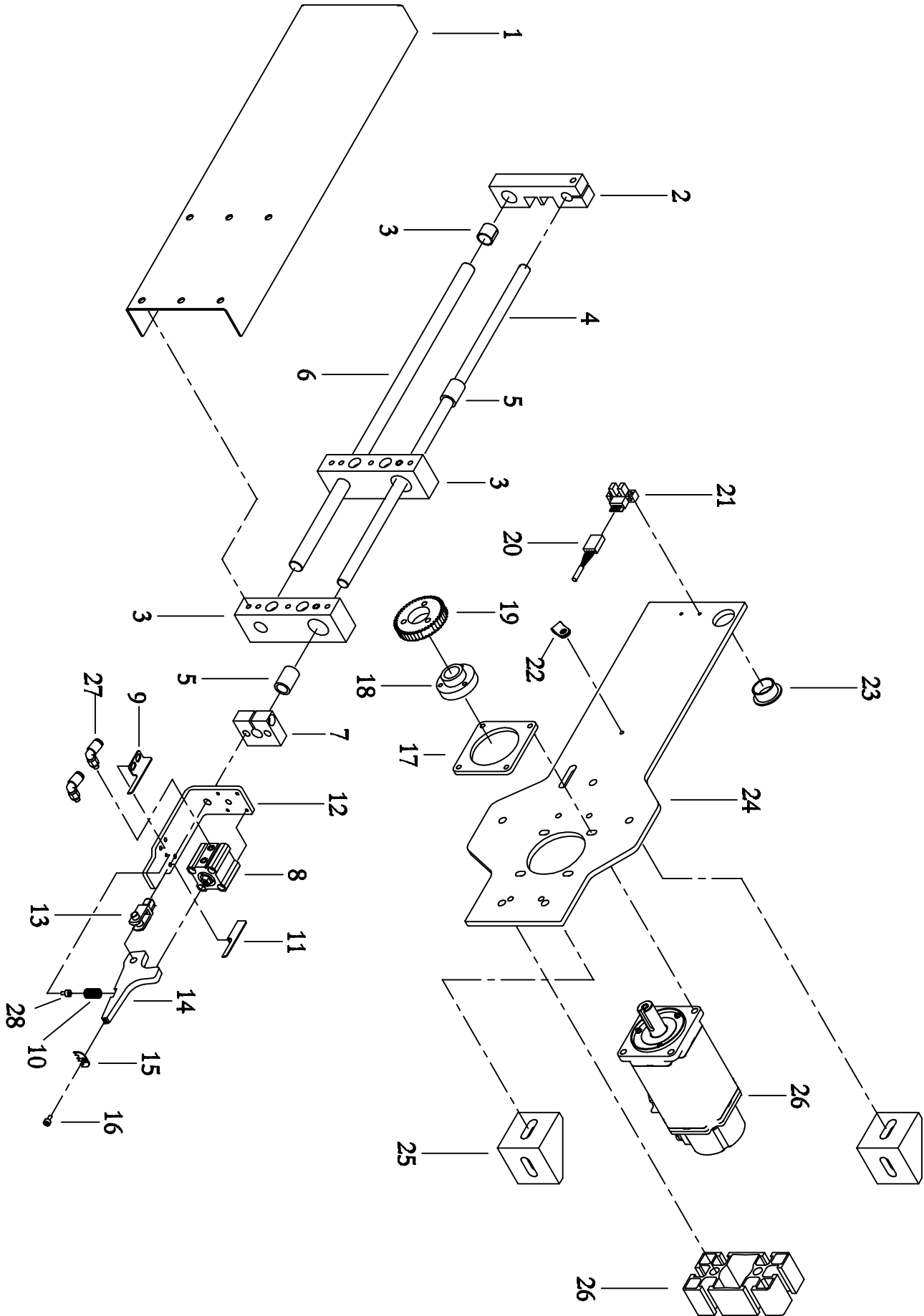
LOOSEN BELT LOOP ASSEMBLY



LOOSEN BELT LOOP ASSEMBLY

REF. NO.	CODE	DESCRIPTION
1	801-10173	KNOB
2	801-10053	CURSOR
3	VV-B0406	SCREW
4	VR-P0409	WASHER
5	801-10159	FORK
6	801-10161	FORK
7	801-10160	FORK
8	801-10061	FORK
9	801-10060	PIVOT
10	801-10059	PLATE
11	801-10058	PLATE
12	VR-P0510	WASHER
13	B100328-001	SPRING
14	VV-B0512	SCREW
15	801-10133	BLOCK
16	VR-P0612	WASHER
17	801-10176	PLATE
18	801-10055	SUPPORT
19	801-10132	PLATE
20	801-10156	REINFORCEMENT
21	801-10054	SUPPORT
22	801-10057	HOOK
23	801-10063	SHAFT
24	29-10203	BEARING
25	801-10052	SUPPORT
26	15-20030	PIPE FITTING
27	28-20007	CYLINDER
28	VV-C0360	SCREW
29	864-30002	SENSOR
30	BS40797-001	DISTANZE PIECE
31	VR-P0515	WASHER
32	801-10198	DISTANZE PIECE
33	801-10181	SHAFT
34	12-10012	BEARING
35	130-10014	BEARING SUPPORT
36	801-10177	HANDLE
37	VR-P08245	WASHER
38	770-10075	SPLICE
39	801-10178	SUPPORT
40	801-10097	SUPPORT
41	801-10179	PLATE
42	801-10180	PLATE
43	864-30002	END STROKE
44	801-20010	CYLINDER

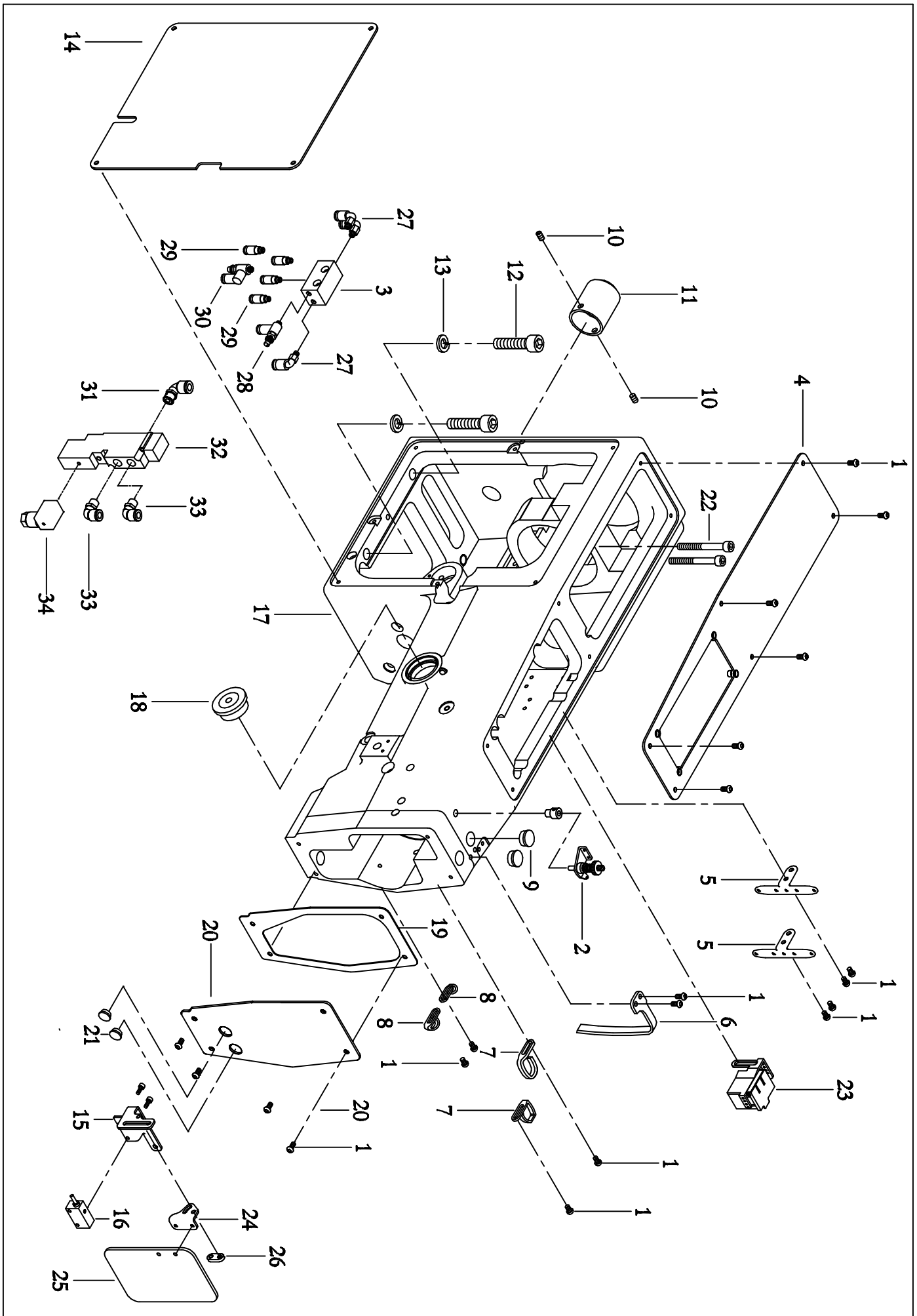
CLAMP GROUP



CLAMP GROUP

REF. NO.	CODE	DESCRIPTION
1	801-10097	CARTER
2	801-10099	SUPPORT
3	801-10098	SUPPORT
4	801-10103	SHAFT
5	801-10140	BUSHING
6	801-10102	SHAFT
7	801-10101	SUPPORT
8	15-20080	CYLINDER
9	801-10164	LOOP STOPPER
10	184-10012	SPRING
11	864-10163	LOOP STOPPER
12	801-10096	SUPPORT
13	18-10840	FORK
14	801-10095	LEVER
15	801-10105	PLATE
16	VV-C0306	SCREW
17	240-10054	PLATE
18	801-10126	SUPPORT
19	801-10104	GEAR
20	31-30001	CONNECTOR
21	706-30123	SENSOR
22	89-30004	CABLEGLAND
23	38-10509	PLUG
24	801-10094	PLATE
25	770-10078	PLATE
26	801-10100	STRUCTURAL SHAPE
27	15-20007	PIPE FITTING
28	VV-C0305	SCREW

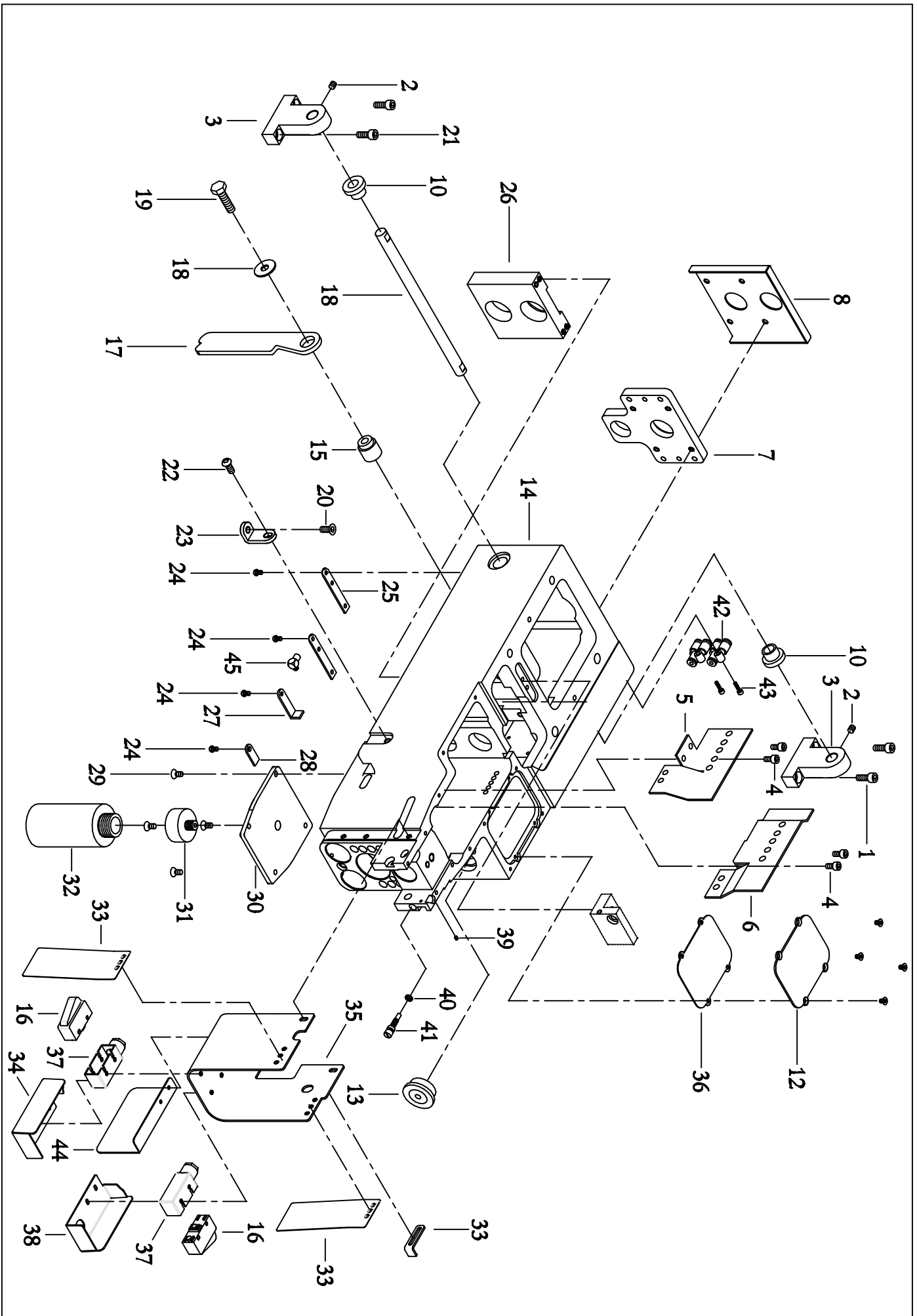
ARM HEAD



ARM HEAD

REF. NO.	CODE	DESCRIPTION
1	VV-B0406	SCREW
2	706-10476	TENONING MACHINE
3	706-10377	DISTRIBUTOR
4	707-10285	ARCHETTO TENDIFILO
5	707-10284	SPOOL PIN
6	706-10355	BOW SPOOL PIN
7	706-10384	TALL SPOOL PIN
8	706-10383	LOW SPOOL PIN
9	762-10303	RUBBERS
10	VG-P508N	GRUB SCREW
11	706-10376	Y SHAFT COVER
12	VV-C1040	SCREW
13	VR-S1000	WASCHER
14	801-10044	COVER
15	707-10321	GLASS HOLDER
16	708-30082	SENSOR
17	709-10011	ARM HEAD
18	706-10401	CORK EQUALIZES OIL
19	706-10606	GARNISH
20	709-10042	COVER
21	762-10304	RUBBERS
22	VV-C0655	SCREW
23	706-10397	THREAD LUBRIFICATOR
24	707-10230	JOINT SUPPORT
25	707-10231	GLASS PROTECTION
26	707-10232	LOCKING PLATE
27	15-20007	PIPE FITTING
28	11-20098	REGULATOR
29	15-20030	PIPE FITTING
30	762-20012	REGULATOR
31	38-20187	PIPE FITTING
32	18-20831	ELECTRO-VALVE
33	11-20011	PIPE FITTING
34	38-20194	CONNECTOR

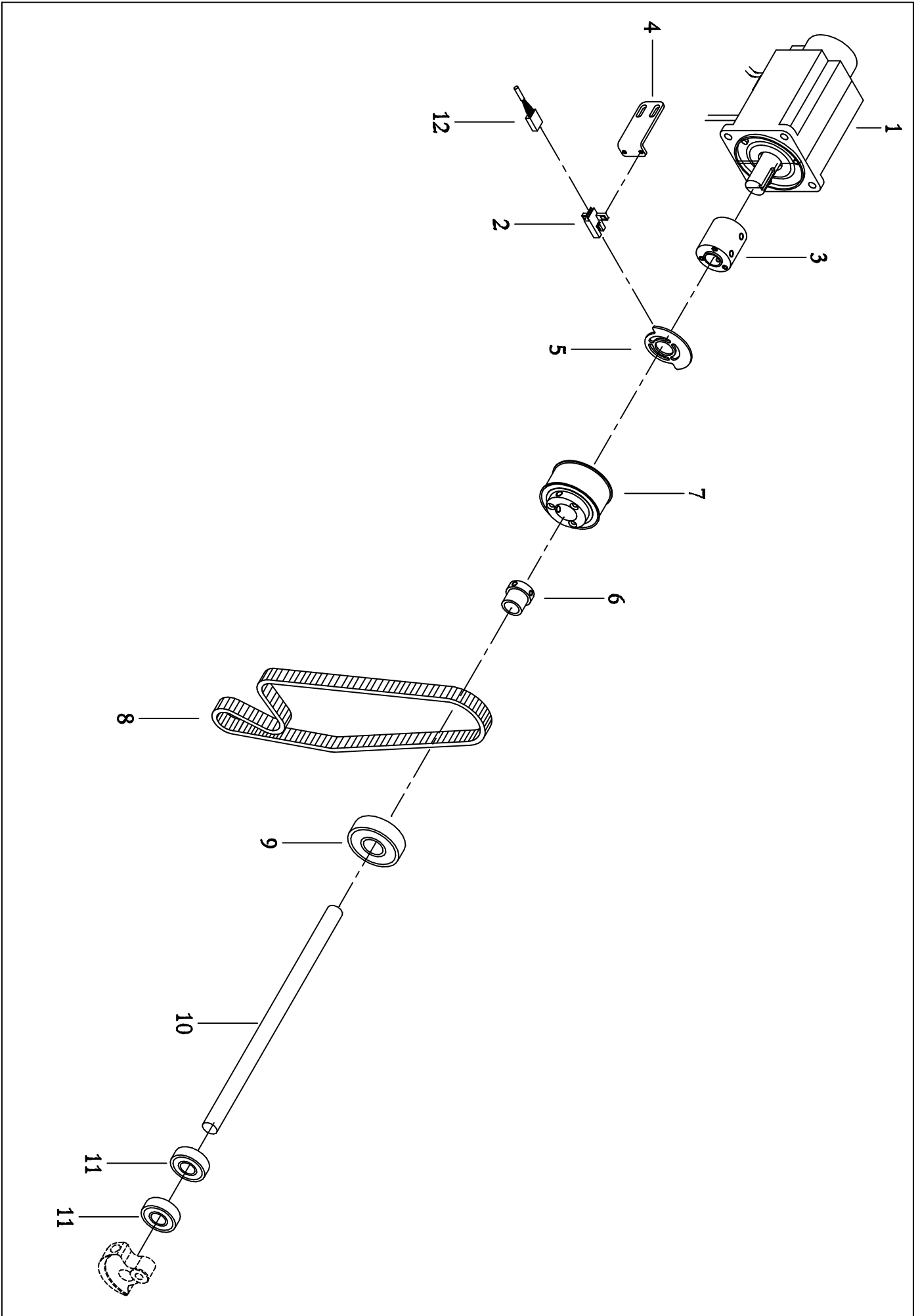
BOTTOM HEAD



BOTTON HEAD

REF. NO.	CODE	DESCRIPTION
1	VV-C0616	SCREW
2	VG-P606N	GRUB SCREW
3	706-10272	SUPPORT
4	VV-C0510	SCREW
5	709-10037	COVER
6	709-10038	COVER
7	709-10113	PLATE
8	709-10114	COVER
9	706-10257	SHAFT
10	706-10238	WASCHER
11	VV-S0406	SCREW
12	706-10212	CORK
13	706-10401	CORK
14	801-10125	BOTTON HEAD
15	706-10372	DISTANCE SPRING
16	707-30044	BUTTON
17	706-10266	LEVER
18	VR-P0824	WASCHER
19	VV-E0830	SCREW
20	VV-S0610	SCREW
21	VV-C0616	SCREW
22	VV-B0610	SCREW
23	706-10373	BLOCK HEAD ON PLACE
24	VV-B0406	SCREW
25	706-10253	SERVICE COOS
26	709-10012	PLATE
27	706-10387	SERVICE COOS
28	706-10252	SERVICE COOS
29	VV-S0510	SCREW
30	706-10538	CORK
31	29-10112	BULB SUPPORT
32	38-10689	BULB
33	709-10059	LEVER
34	708-10048	COVER
35	801-10011	COVER
36	706-10587	GARNISH
37	707-30045	GUARD
38	708-10047	COVER
39	VG-P303N	GRUB SCREW
40	706-20015	O-RING
41	706-10348	OIL REGOLATION SCREW
42	15-20055	PIPE FITTING
43	VV-C0312	SCREW
44	708-10000	BRACKETS
45	38-20171	PIPE FITTING
46	709-10064	LOOP STOPPER

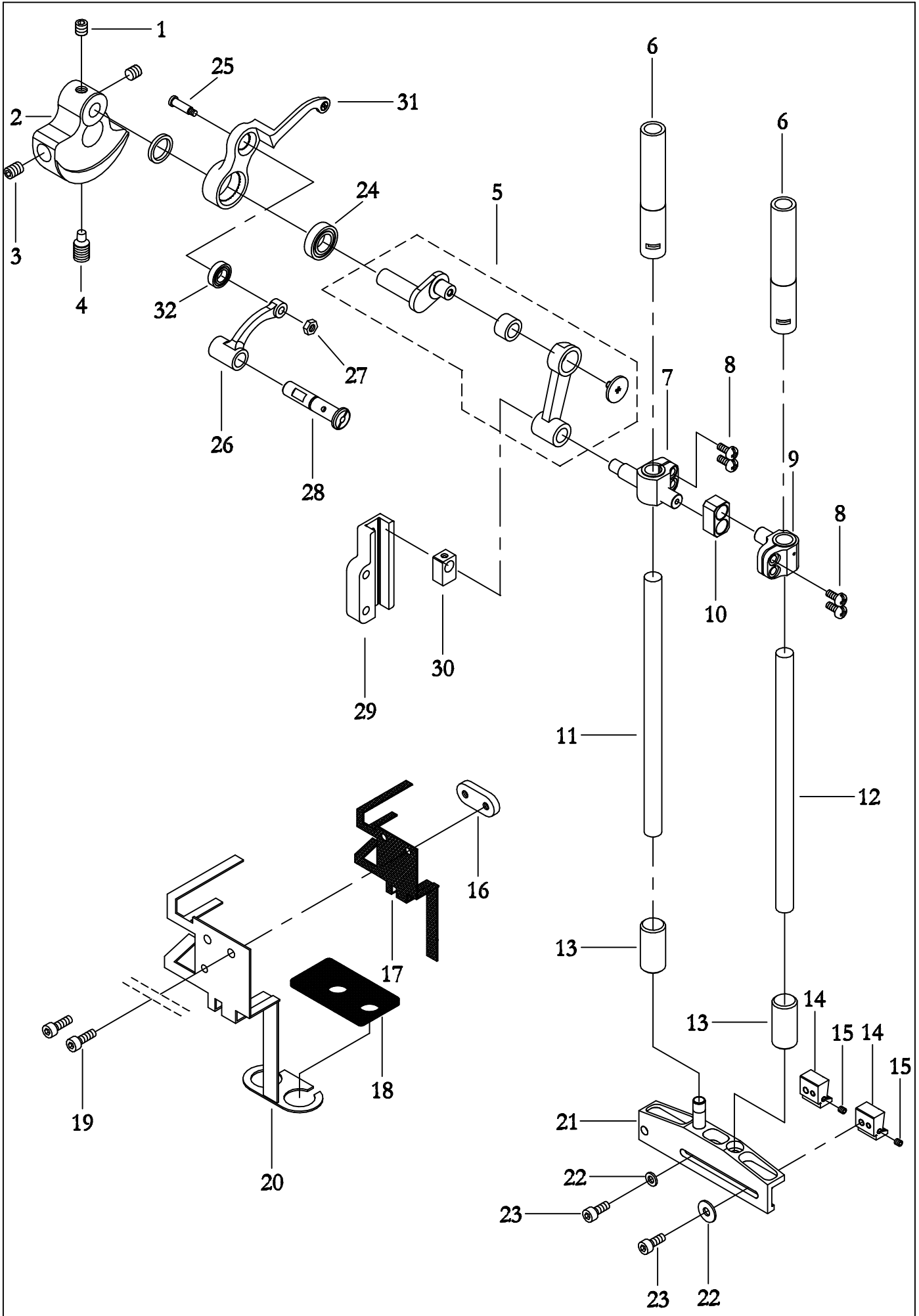
MOTOR AND UPPER SHAFT



MOTOR AND UPPER SHAFT

REF. NO.	CODE	DESCRIPTION
1	26-30268	MOTOR HEAD
2	240-30002	SENSOR
3	709-10026	HUB
4	709-10016	SUPPORT
5	708-10008	DISC
6	709-10036	REDUCTION
7	707-10040	PULLEY MOTOR
8	706-10841	BELT
9	706-10178	BUSCHING
10	709-10028	UPPER SHAFT
11	31-10180	BUSCHING
12	31-30001	CONNECTOR

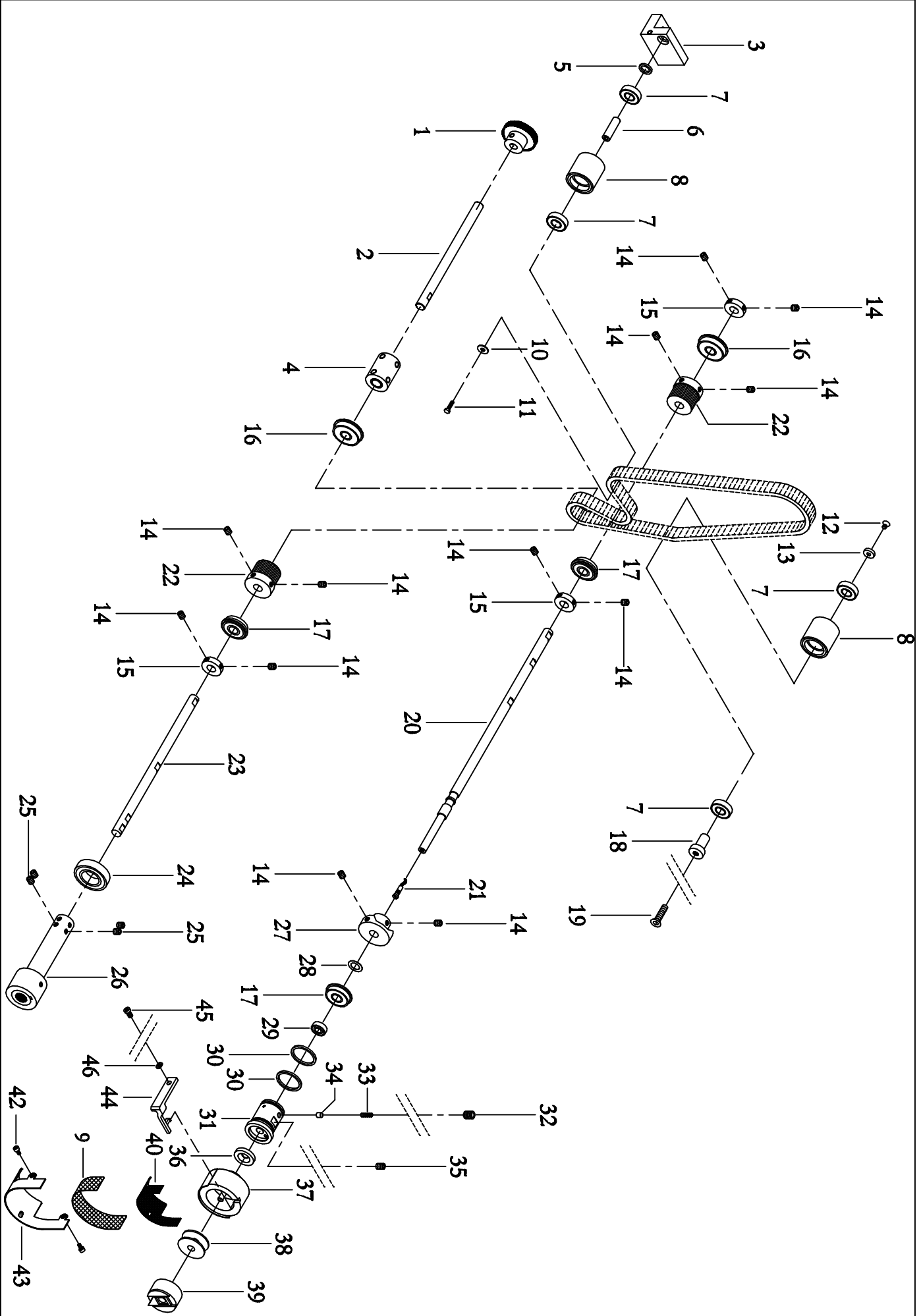
NEEDLE BAR AND THREAD TAKE-UP



NEEDLE BAR AND THREAD TAKE-UP

REF. NO.	CODE	DESCRIPTION
1	VG-P606F	GRUB SCREW
2	801-10047	CROSSING
3	VG-P608F	GRUB SCREW
4	706-10289	GRUB SCREW
5	801-10151	CONNECTING ROD GROUP
6	706-10300	COLLECT
7	709-10008	BUCKLE
8	VV-C0408	VITE
9	707-10243	BUCKLE
10	706-10304	CONNECTION VICES
11	706-10288	BAR NEEDLE
12	706-10290	BAR NEEDLE
13	706-10299	COLLECT
14	706-10305	BUCKLE
15	VG-P303N	GRUB SCREW
16	706-10497	PLATE
17	706-10493	FELT
18	706-10494	FELT
19	VV-C0412	SCREW
20	709-10056	FELT SUPPORT
21	708-10058	BUCKLE SUPPORT NEEDLE
22	VR-P0409	WASCHER
23	VV-C0410	SCREW
24	706-10185	BEARING
25	BSA9651-001	VITE
26	706-10292	THREAD TAKE-UP PIVOT
27	VD-04NZN	NUT
28	BSB1031-001	CYLINDRICAL PIN
29	BSA3528-001	GUIDE
30	709-10009	CROSSING
31	801-10124	THREAD TAKE-UP LEVER
32	762-10654	BEARING

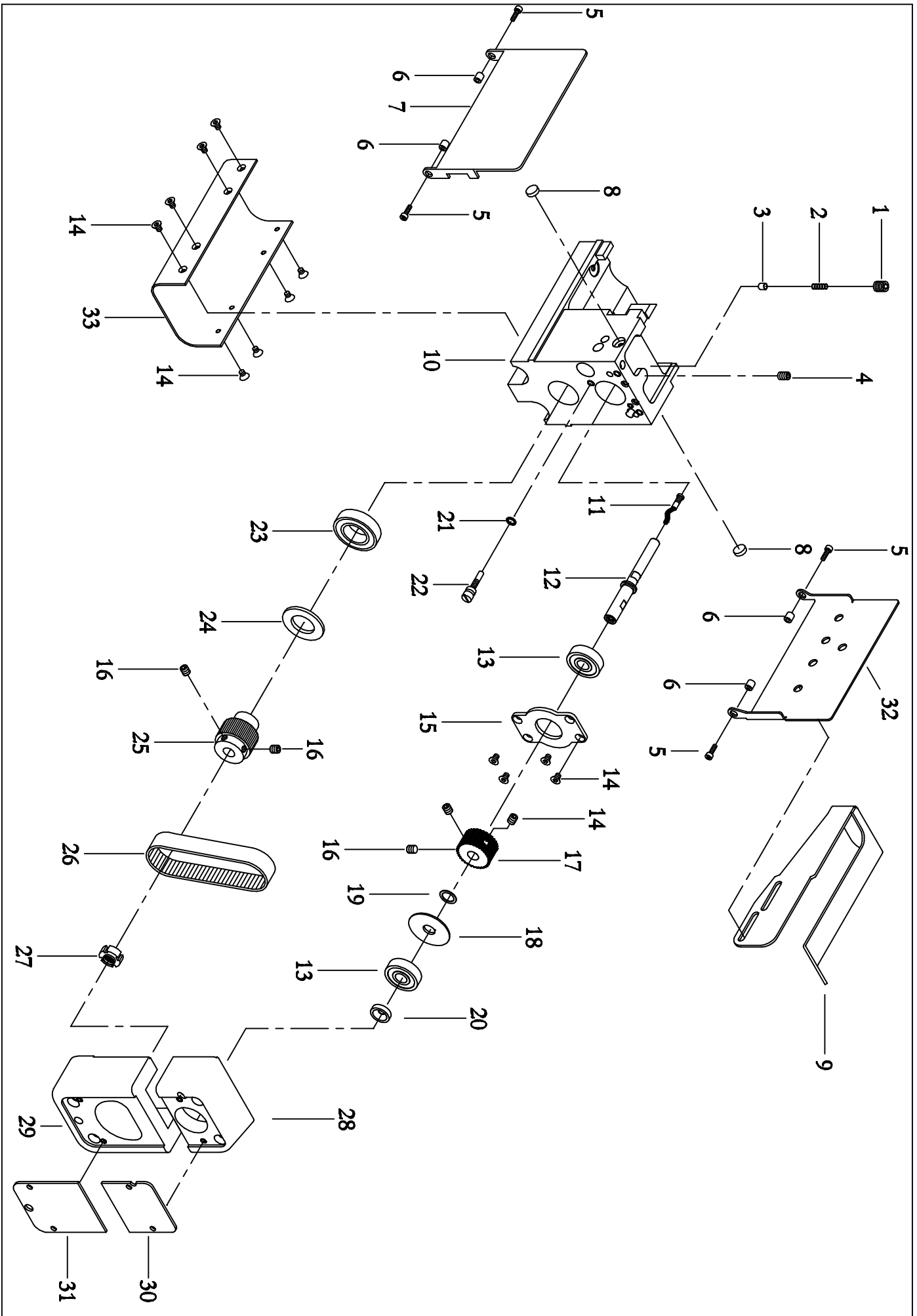
BACK ROTARY HOOK SHAFT PARTS



BACK ROTARY HOOK SHAFT PART

REF. NO.	CODE	DESCRIPTION
1	708-10052	HEAD WHELL
2	708-10053	SHAFT
3	706-10839	ANCHORAGE BLOCK
4	708-10051	HUB
5	28-10262	DISTANZE PIECE
6	706-10840	SHAFT
7	706-10185	BUSCHING
8	707-10042	PULLEY
9	707-10163	FILTER
10	11-40022	WASCHER
11	VV-C0510	SCREW
12	VV-S0406	SCREW
13	18-10139	WASCHER
14	VG-P606F	GRUB SCREW
15	706-10222	RING BLOCK
16	706-10196	BUSCHING
17	706-10177	BUSCHING
18	707-10044	SHAFT PULLEY
19	VV-S0620	SCREW
20	707-10048	BACK SHAFT ROTARY HOOK
21	706-10378	SCREW
22	707-10043	PULLEY
23	709-10035	LOW SHAFT BACK PART
24	706-10183	BUSCHING
25	706-10603	GRUB SCREW
26	709-10034	COLLECT
27	706-10064	TRIMMER CAM
28	706-10611	THICKNESS 0,3mm
29	706-10526	OIL SEAL
30	706-20014	O-RING
31	708-10001	COLLECT
32	706-10527	GRUB SCREW
33	706-10381	SPRING
34	706-10382	PISTON
35	VG-P608F	GRUB SCREW
36	708-10002	OIL SEAL
37	18-10842	ROTARY HOOK
38	706-10444	ROVING BOBBIN
39	706-10445	CASING OF A GEAR
40	706-10584	FELT
41	xxx-xxxxx	xxxxxxxxxxx
42	VV-C0310	SCREW
43	801-10013	COVER
44	706-10416	HOOK STOPPER
45	B062681-012	SCREW
46	707-10097	CURSOR

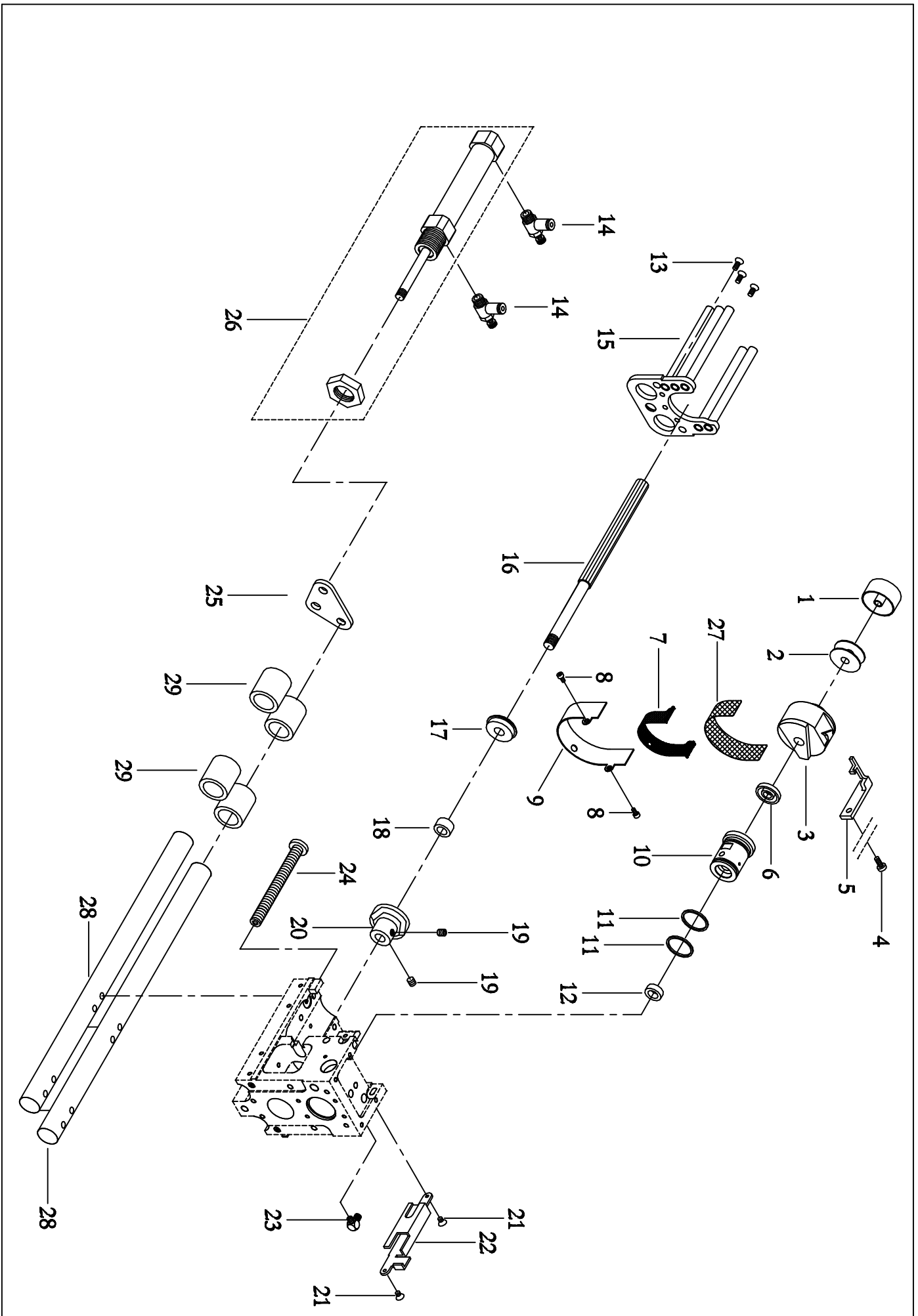
FRONT ROTARY HOOK PARTS



FRONT ROTARY HOOK PARTS

REF. NO.	CODE	DESCRIPTION
1	706-10527	GRUB SCREW
2	706-10381	SPRING
3	706-10382	PISTON
4	VG-P608F	GRUB SCREW
5	VV-C0310	SCREW
6	11-19112	SHIM
7	801-10010	LEFT COVER
8	706-10502	MAGNET
9	707-10084	PROTEZIONE SU PULSANTE DESTRO
10	801-10123	FRONT ROTARY HOOK GROUP
11	706-10378	SCREW
12	801-10277	FRONT SHAFT ROTARY HOOK
13	709-10001	BUSCHING
14	VV-S0406	SCREW
15	709-10002	THICKNESS
16	VG-P606F	GRUB SCREW
17	801-10278	UPPER PULLEY
18	801-10274	PLATE CONTAIN BELT
19	28-10262	Distanze piece
20	38-10305	WASCHER
21	706-20015	O-RING
22	709-10039	SCREW REGULATION OIL
23	706-10183	BUSCHING
24	706-10235	PLATE CONTAIN BELT
25	706-10229	LOW PULLEY
26	706-10187	BELT
27	18-40668	BUSH
28	801-10275	COVER
29	801-10276	COVER
30	801-10279	COVER
31	801-10280	COVER
32	801-10009	RIGHT COVER
33	706-10367	COVER

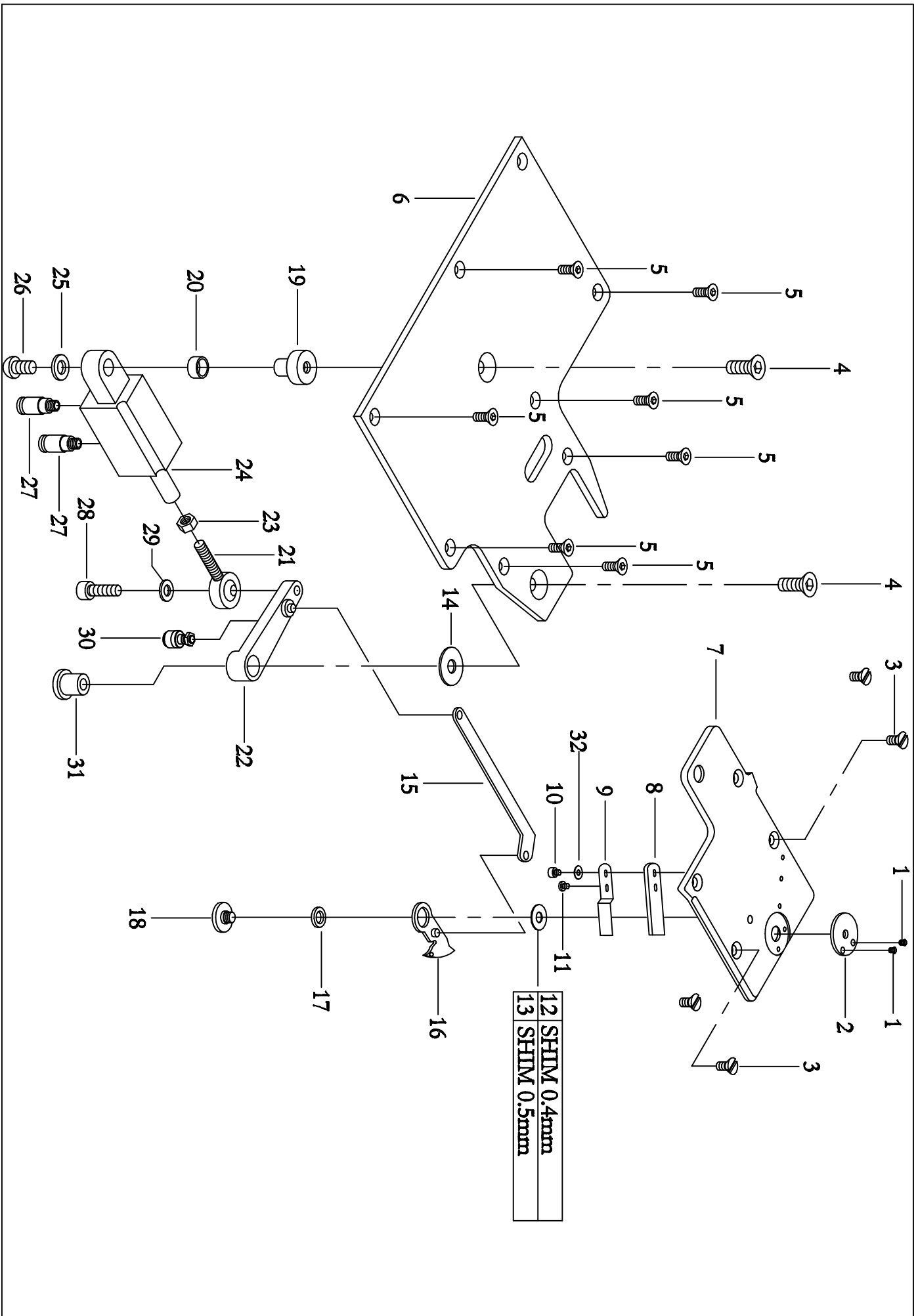
BACK ROTARY HOOK PARTS



BACK ROTARY HOOK PARTS

REF. NO.	CODE	DESCRIPTION
1	706-10445	CASING OF A GEAR
2	706-10444	ROVING BOBBIN
3	706-10193	ROTATORY HOOK
4	B062681-412	SCREW
5	706-10416	HOOK STOPPER
6	708-10002	OIL SEAL
7	706-10585	FELT
8	VV-C0310	SCREW
9	801-10012	COVER
10	708-10001	COLLECT PLATE ROTARY HOOK
11	706-20014	O-RING
12	706-10526	OIL SEAL
13	VV-S0410	SCREW
14	11-20033	PIPE FITTING
15	707-10286	PLATE
16	708-10059	SHAFT FOR JT708PB-1
17	706-10177	BUSCHING
18	706-10227	DISTANCE PIECE
19	VG-P606F	GRUB SCREW
20	706-10064	TRIMMER CAM
21	VV-S0406	SCREW
22	709-10040	TUBE COVER
23	38-20171	PIPE FITTING
24	706-10544	TRAVEL AND
25	709-10019	PLATE
26	801-20006	CYLINDER
27	707-10164	SCREEN
28	706-10215	SHAFT
29	38-10177	BUSCHING
30	706-10244	PLATE
31		

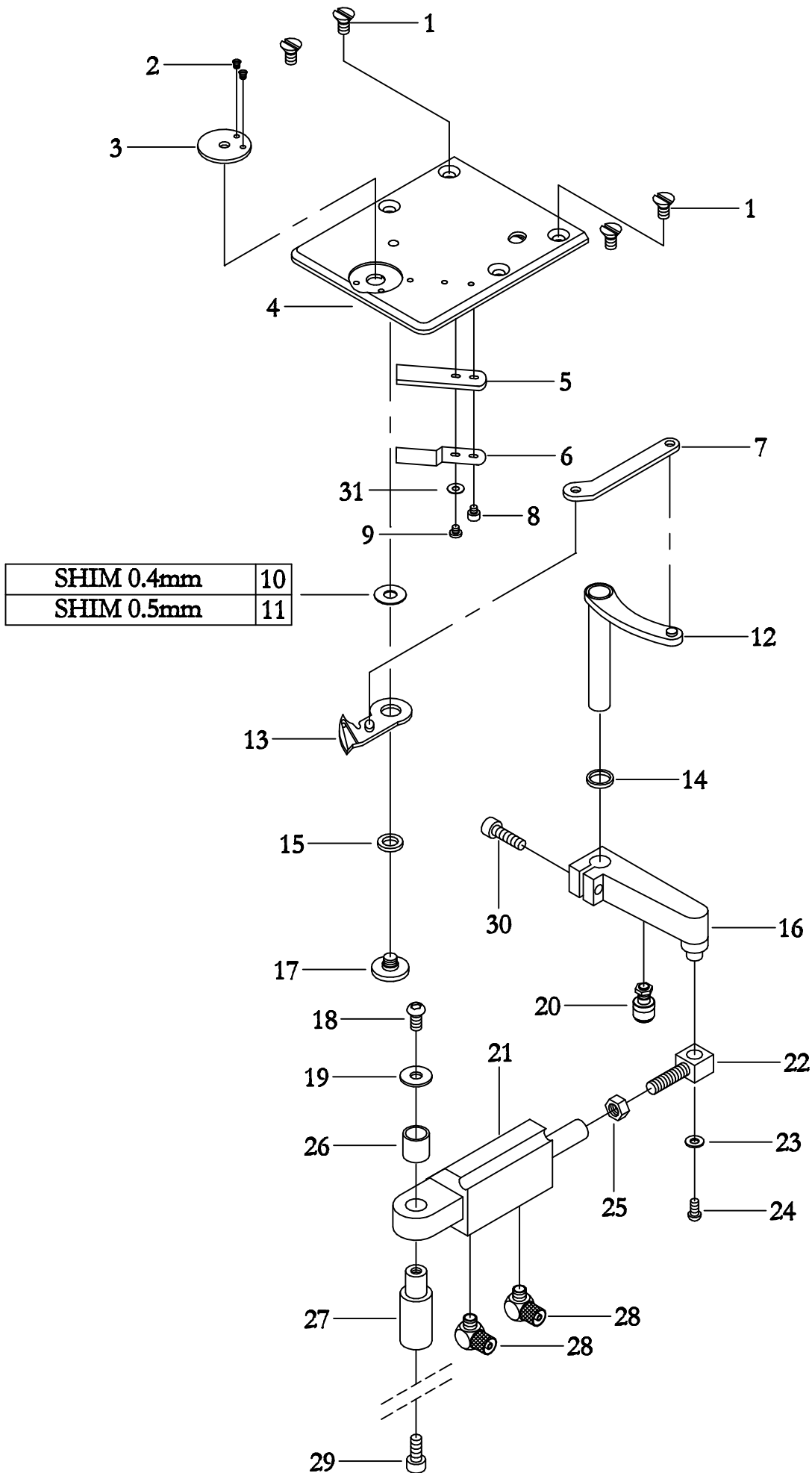
BACK NEEDLE PLATE AND BACK KNIFE



BACK NEEDLE PLATE AND BACK KNIFE

REF. NO.	CODE	DESCRIPTION
1	762-10359	SCREW
2	BS10212-001	PLATE
3	B100032-003	SCREW
4	762-40003	SCREW
5	VV-S0410	SCREW
6	801-10014	PLATE
7	801-10004	PLATE
8	762-10340	FIX KNIFE
9	706-10596	SPRING
10	VV-C2503	SCREW
11	706-10597	SCREW
12	762-10369	SHIM 0,4mm
13	762-10368	SHIM 0,5mm
14	706-10371	THICKNESS FOR LEVER
15	706-10260	LEVER
16	762-10339	MOBILE KNIFE
17	762-10360	SHIM ON THE SCREW
18	762-10379	SCREW
19	706-10314	CYLINDRICAL PIN
20	29-10326	GLICODUR
21	91-10274	BALL JOINT
22	801-10015	LEVER
23	VD-05NZN	BOLT
24	706-10579	CYLINDRICAL
25	VR-P0612	WASCHER
26	VV-B0610	SCREW
27	15-20030	PIPE FITTING
28	VV-C0516	WASCHER
29	VR-P0510	WASCHER
30	706-10699	PIN
31	706-10313	PIN FOR BACK LEVER
32	VR-P02505	WASCHER

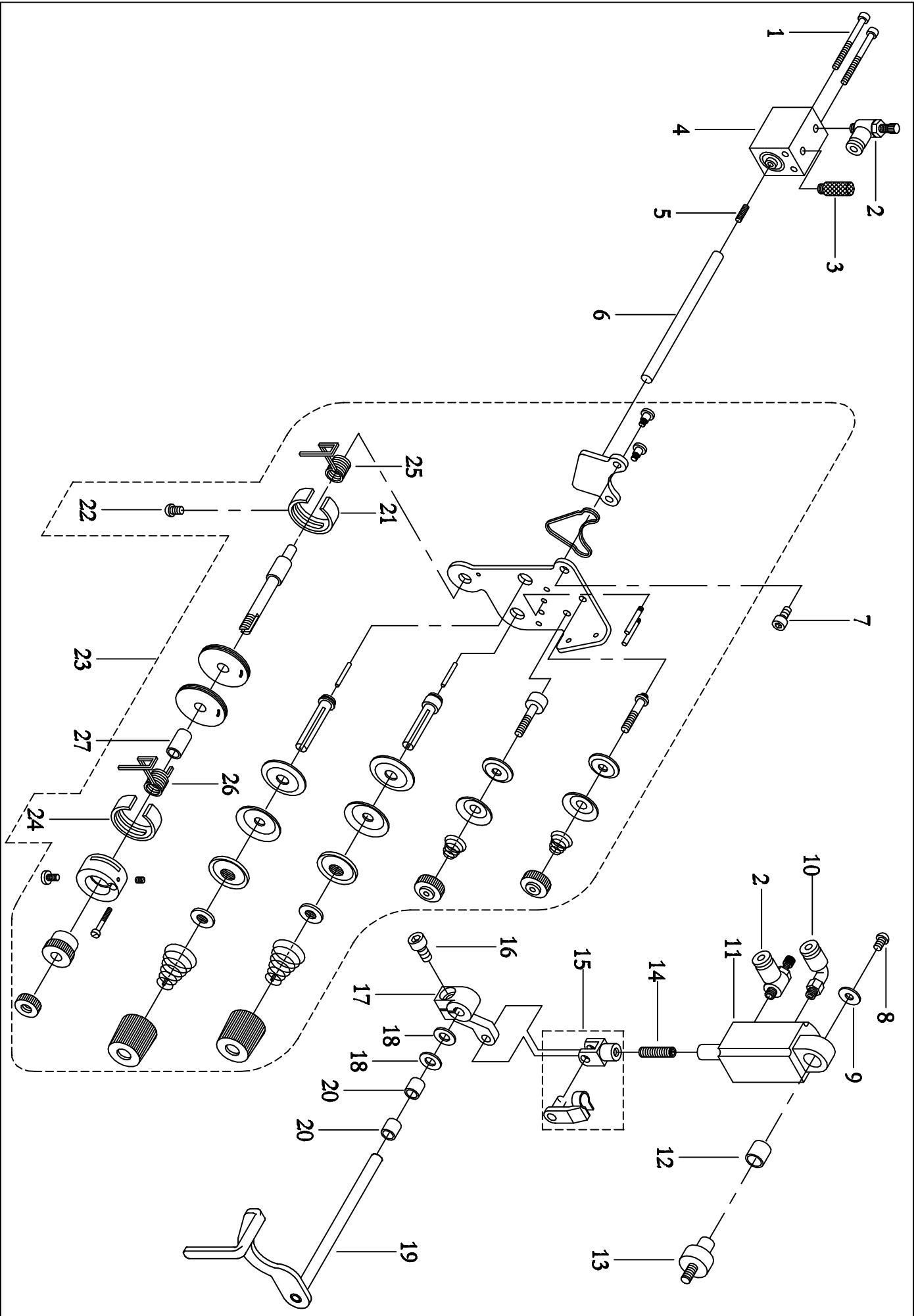
FRONT NEEDLE PLATE AND FRONT KNIFE



FRONT NEEDLE PLATE AND BACK KNIFE

REF. NO.	CODE	DESCRIPTION
1	B100032-003	SCREW
2	762-10359	SCREW
3	BS10212-001	PLATE
4	801-10005	FRONT PLATE
5	762-10340	FIX KNIFE
6	706-10596	SPRING
7	706-10259	LEVER
8	VV-C2503	SCREW
9	706-10597	SCREW
10	762-10369	SHIM 0,4mm
11	762-10368	SHIM 0,5mm
12	801-10016	LEVER
13	762-10339	MOBILE KNIFE
14	VR-08140E3	SHIM
15	762-10360	SHIM
16	706-10514	LEVER
17	762-10379	SCREW
18	VV-B0406	SCREW
19	VR-P0412	WASCHER
20	BSA2415-001	PIN
21	706-20002	CYLINDER
22	706-10246	EXTENSION CYLINDER
23	VR-P0307	WASCHER
24	VR-P0307	SCREW
25	VD-05NZN	BOLT
26	29-10326	GLICODUR
27	706-10224	SHAFT
28	38-20171	PIPE FITTING
29	VV-C0410	SCREW
30	VV-C0414	SCREW
31	VR-P02505	WASCHER

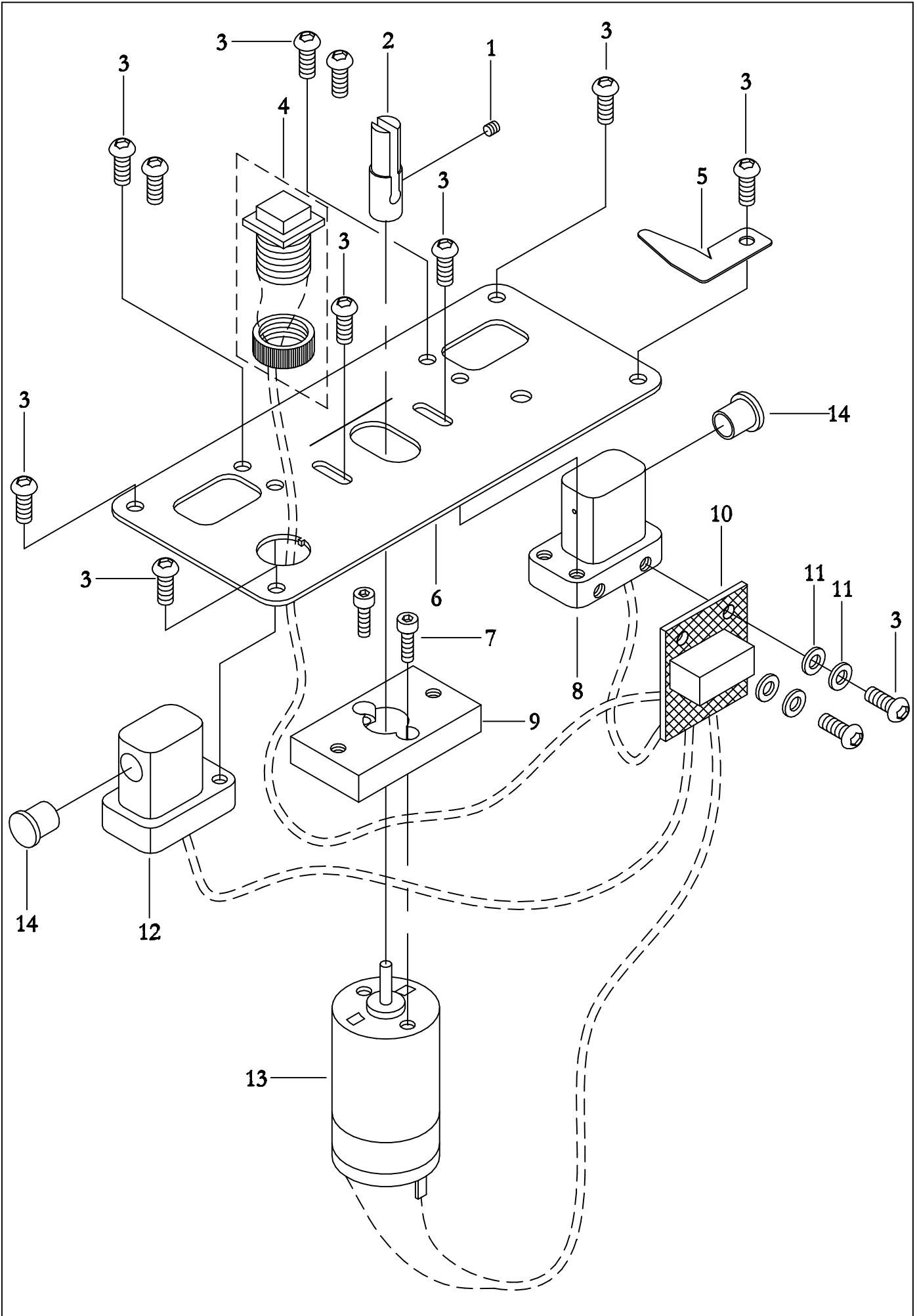
THREAD TENSION



THREAD TENSION

REF. NO.	CODE	DESCRIPTION
1	VV-C0335	SCREW
2	11-20098	PIPE FITTING
3	38-20096	SILENCER
4	38-19056	CYLINDER
5	706-40009	GRUB SCREW
6	706-10504	SHAFT
7	VV-C0408	SCREW
8	VV-B0406	SCREW
9	VR-P0412	WASCHER
10	15-20007	PIPE FITTING
11	706-20002	CYLINDER
12	29-10326	GLICODUR
13	706-10375	SUPPORT CYLINDER
14	VG-P520N	GRUB SCREW
15	26-10301	FORK
16	VV-C0510	SCREW
17	706-10287	LEVER
18	11-10212	WASCHER NYLON
19	706-10539	THREAD EXTENSION
20	29-10147	GLICODUR
21	706-10270	RING
22	VV-B0406	SCREW
23	706-10589	DOUBLE TENSION GROUP
24	706-10268	RING
25	706-10282	LEFT SPRING
26	706-10283	RIGHT SPRING
27	706-10590	DISTANCE PIECE

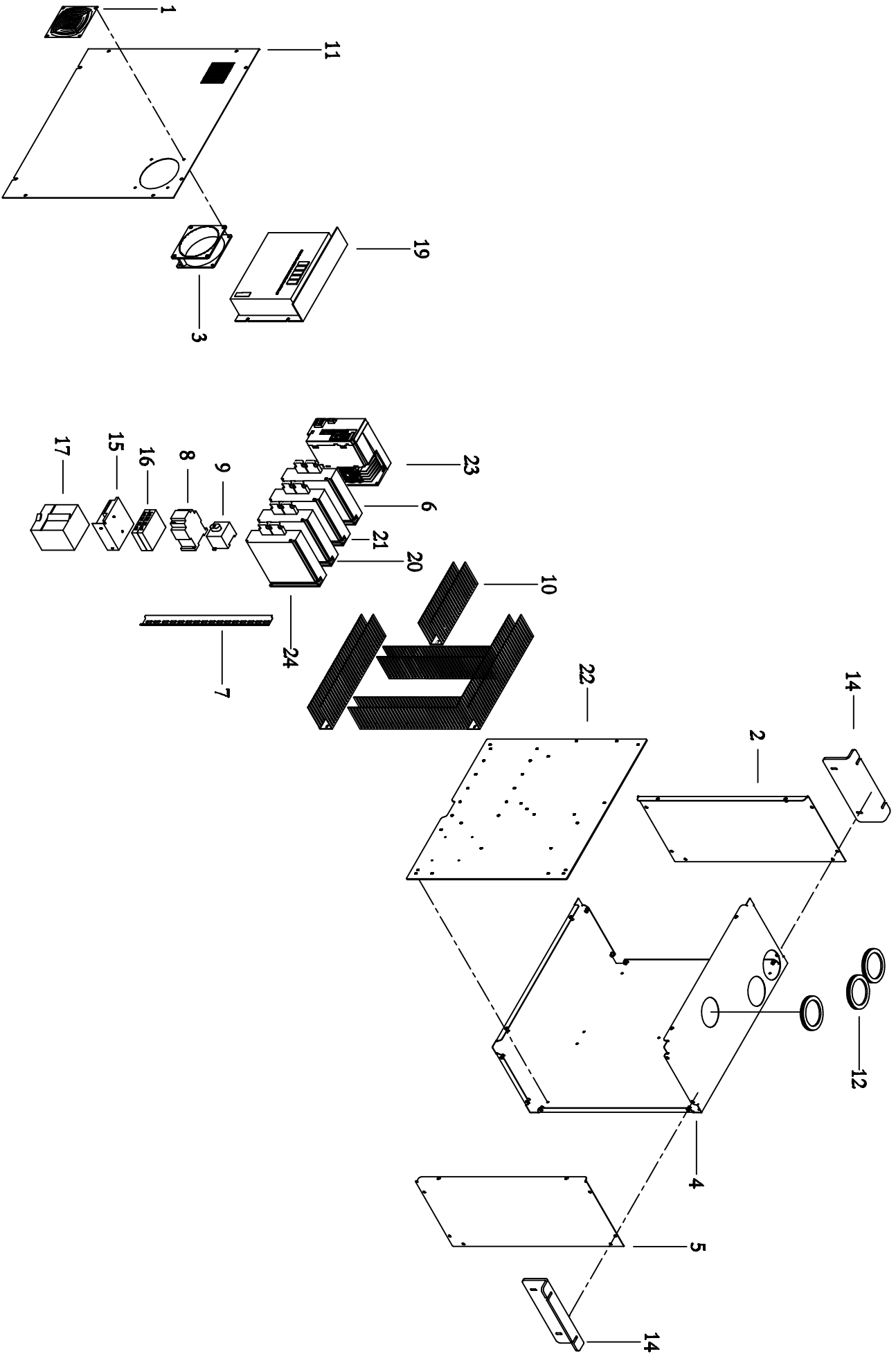
BOBBIN WINDER MECHANISM



BOBBIN WINDER MECHANISM

REF. NO.	CODE	DESCRIPTION
1	VG-P303N	GRUB SCREW
2	706-10326	PIN
3	VV-B0408	SCREW
4	706-30009	RED BUTTON
5	38-10209	KNIFE
6	706-10323	BOBBIN WINNER PLATE
7	VV-C0310	SCREW
8	706-10325	SUPPORT SENSOR
9	706-10327	ANCHORAGE MOTOR
10	706-30008	BOBBIN WINNER CARD
11	VR-P0409	WASCHER
12	706-10333	SUPPORT BOBBIN WINNER LED
13	706-30128	MOTOR
14	706-10617	PLUG

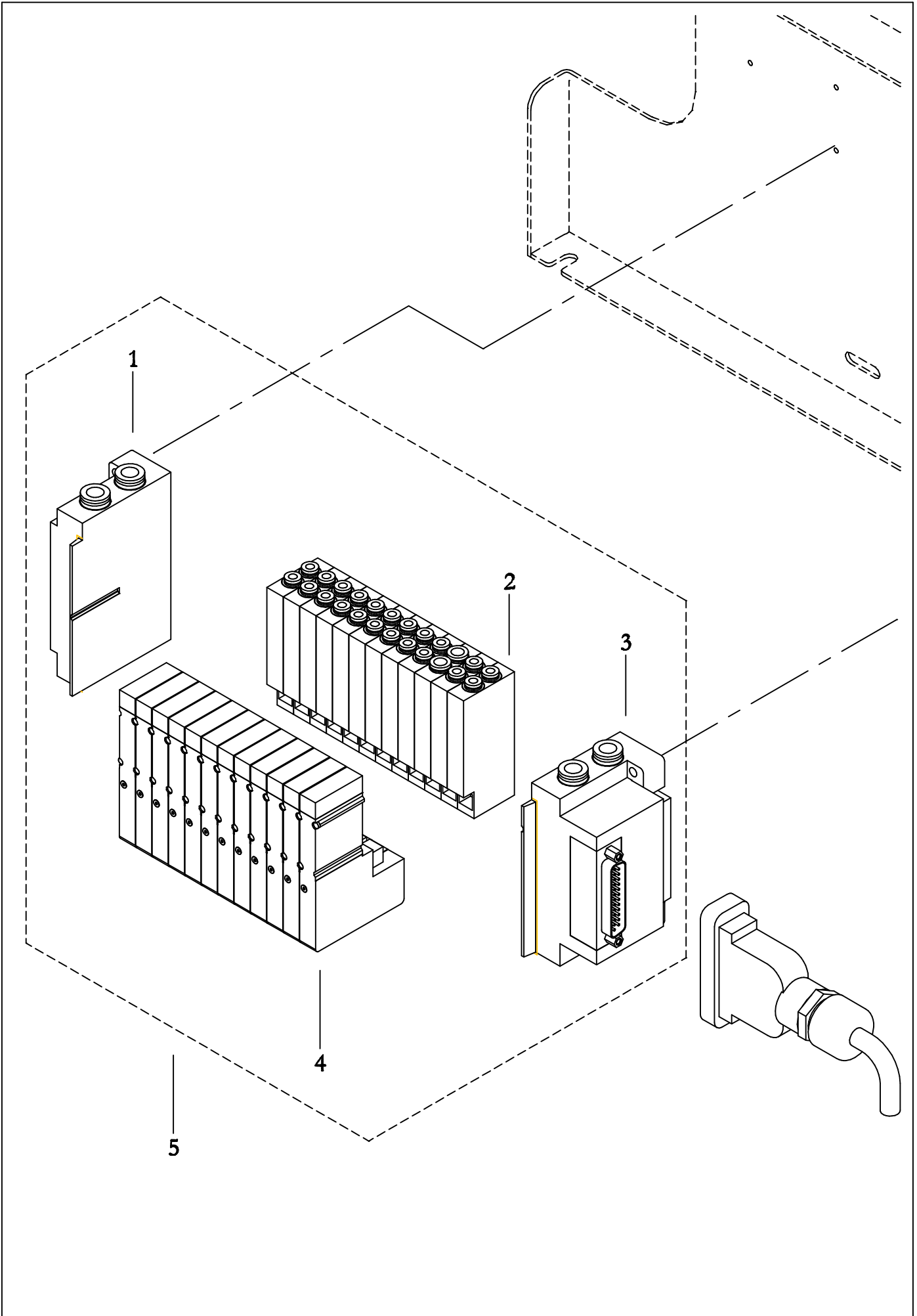
CONTROL BOX



CONTROL BOX

REF. NO.	CODE	DESCRIPTION
1	91-10361	FILTER
2	709-10047	WALL
3	91-30002	GAUGE BOX
4	709-10046	WALL
5	709-10047	WALL
6	708-30050	DRIVER
7	MV-BDIN2	DIN BAR
8	JMAN-30006	CONTACTOR
9	31-30059	SWICH
10	MV-CN8X4	CABLE CHAIN
11	709-10048	COVER
12	864-10177	CABLEGLAND
13	708-30002	SWICH
14	709-10050	SUPPORT
15	415-30015	SWICHTH
16	JMAN-30007	FUSE HOLDER
17	864-30000	SWICH
18	708-10015	ANCHORAGE PLATE
19	708-30051	CONTROLLER
20	776-30003	DRIVER
21	707-30021	DRIVER
22	26-10528	ANCHORAGE PLATE
23	708-30052	DRIVER
24	706-30124	DRIVER

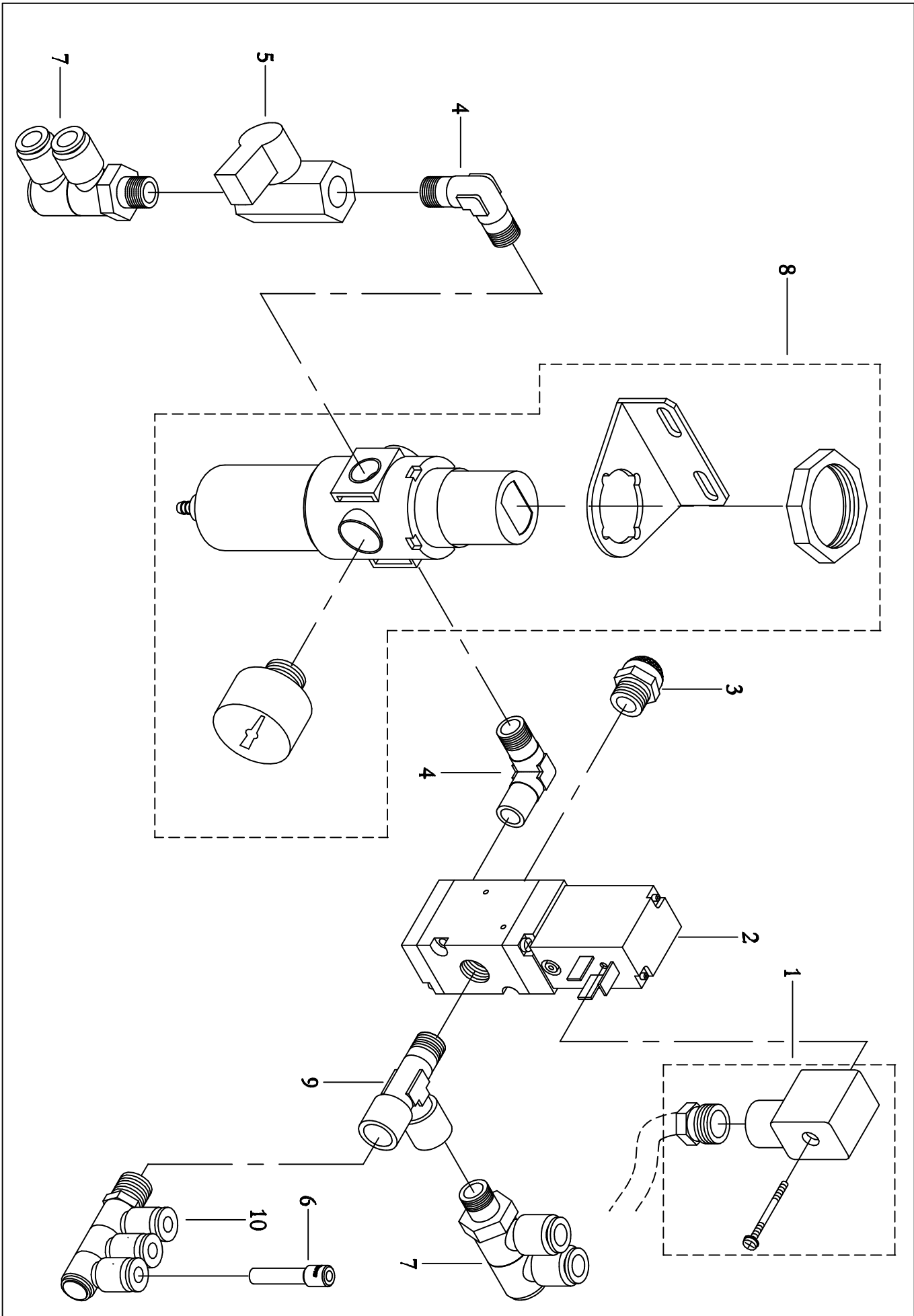
PNEUMATIC VALVES ON THE LOADER



PNEUMATIC VALVES ON THE LOADER

REF. NO.	CODE	DESCRIPTION
1	801-20012	BACK COMPONENT
2	801-20013	SUPPORT WITH PIPE FITTINGS
3	801-20011	HEAD COMPONENT
4	801-20014	ELECTRO-VALVE
5	801-20015	PNEUMATIC VALVE

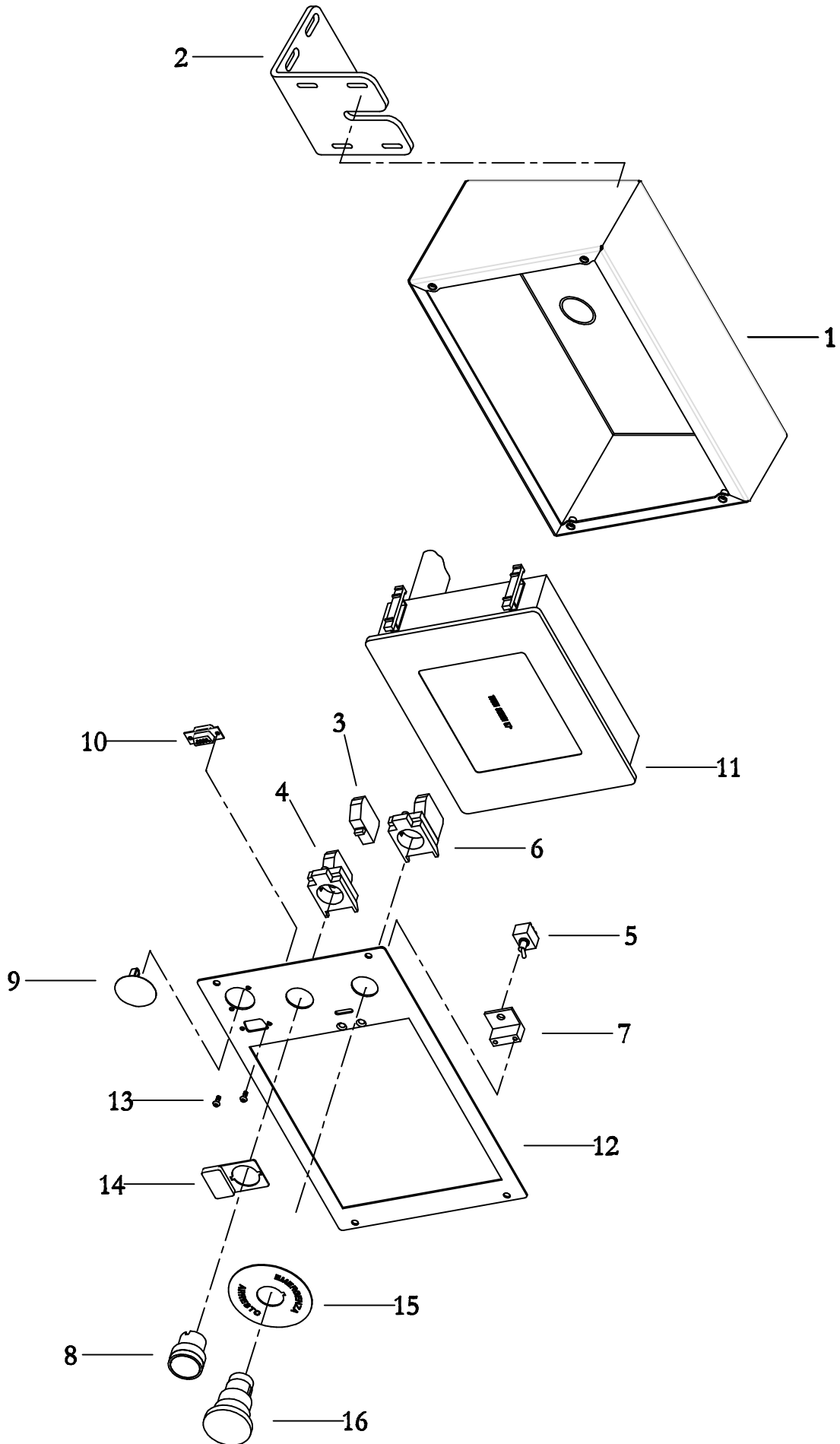
AIR CONNECTION



AIR CONNECTION

REF. NO.	CODE	DESCRIPTION
1	38-30667	CONNECTOR
2	18-20568	ELECTROVALVE
3	11-20008	SILENCER
4	26-20248	PIPE FITTING
5	38-20181	COCK
6	707-20006	PLUG
7	38-20090	PIPE FITTING
8	762-20024	REGULATOR
9	38-20212	PIPE FITTING
10	706-20022	PIPE FITTING

OPERATION PANEL



OPERATION PANEL

REF. NO.	CODE	DESCRIPTION
1	708-10096	BOX OPERATION PANEL
2	708-10097	SUPPORT
3	31-30062	LAMP SUPPORT
4	31-30094	LAMP
5	864-30020	SWITCH
6	708-30036	CONTACT N.C.
7	864-10064	SUPPORT
8	708-30037	BUTTON
9	31-10257	PLUG
10	38-30697	CONNECTOR
11	708-30053	OPERATION PANEL ASSEMBLY
12	708-10031	PLATE
13	VV-B0308	SCREW
14	708-30040	FLANGE
15	708-30039	EMERGENCY PLATE
16	708-30035	EMERGENCY BUTTON