

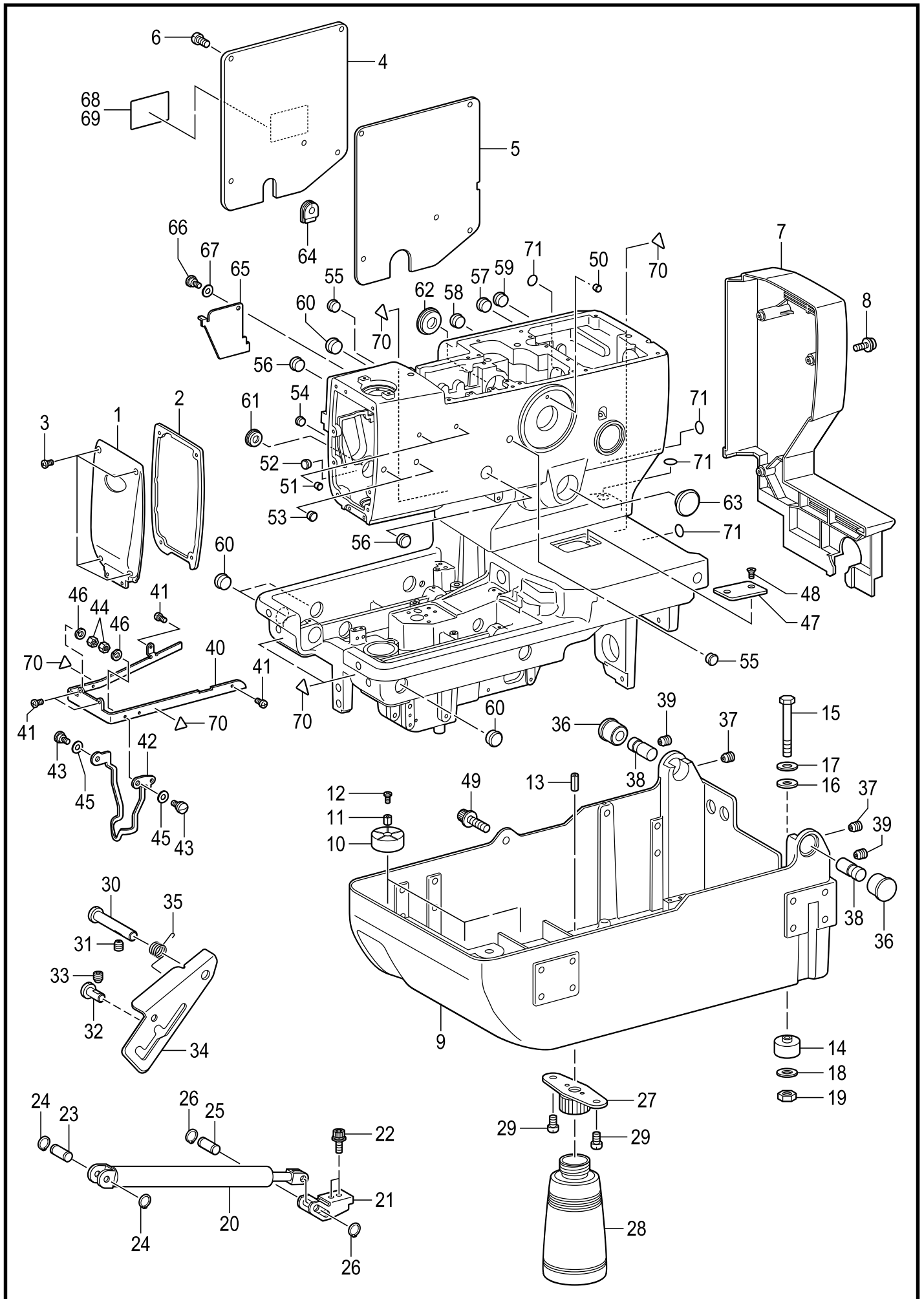
# Notes for using this parts book

1. This book was prepared based on information available in December 2007.
2. Parts are subject to changes in design without prior notice.
3. Parts supplied as complete assemblies are circled by a dotted line.

## CONTENTS

A. Machine body .....	1	T. Power switch mechanism .....	59
B. Needle bar and thread take-up mechanism .....	5	U1. Air pressure mechanism .....	61
C. Upper shaft mechanism .....	7	U2. Air pressure mechanism .....	63
D. Zigzag mechanism .....	9	V. Power supply equipment mechanism .....	65
E. Needle bar rocking mechanism .....	11	W. Operation panel mechanism .....	67
F1. Work clamp mechanism .....	13	X. Motor mechanism .....	69
F2. Work clamp mechanism .....	17	Y. Foot switch pedal mechanism .....	71
F3. Work clamp mechanism .....	19	AA1. Attachment set .....	73
G. Feed mechanism .....	21	AA2. Attachment set .....	79
H. Cutter mechanism .....	25	AA3. Attachment set .....	81
J. Lower shaft mechanism .....	27	AA4. Attachment set .....	83
K. Looper mechanism .....	29	AA5. Attachment set .....	89
L. Double chain stitch looper mechanism .....	31	AA6. Attachment set .....	93
M. Spreader mechanism .....	35	AB. Upper thread breakage detector .....	95
N. Lubrication .....	37	AC. Air pressure detector .....	95
P1. Threading mechanism .....	41	AD. Upper thread nipper device set .....	97
P2. Threading mechanism .....	45	AE. Cut length changeover device .....	101
P3. Threading mechanism .....	47	AF. Fly indexer .....	105
Q1. Thread trimmer mechanism .....	49	Z. Accessories .....	109
Q2. Thread trimmer mechanism .....	51	Sp. Different parts list .....	113
R. Upper thread trimmer mechanism .....	53	Wa. Warning labels .....	116
S1. Control box mechanism .....	55	Index .....	117
S2. Control box mechanism (Power supply motor PCB) .....	57		

A. 机体部分 / Machine body

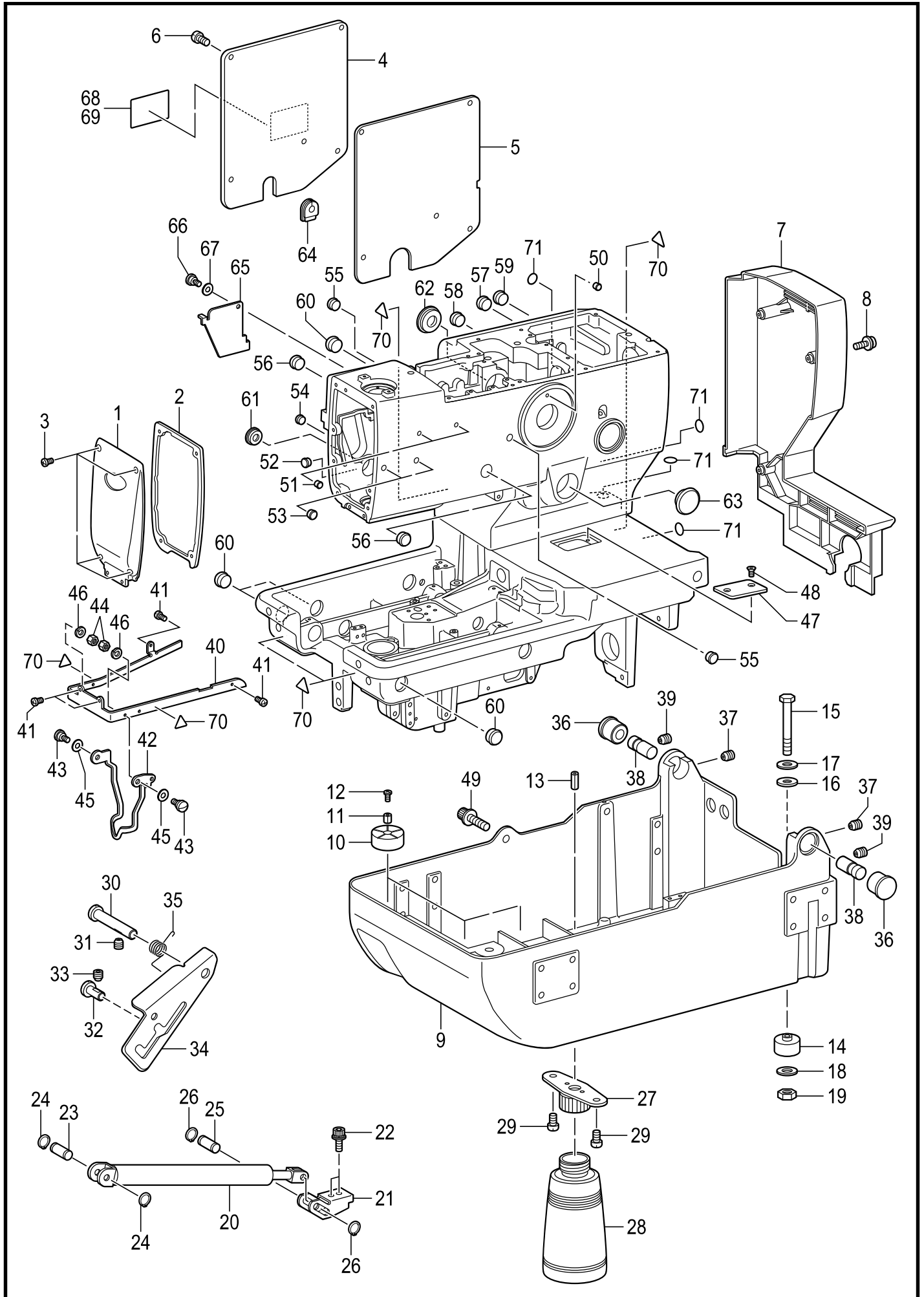


RH-9820-050

## A. 机体部分 / Machine body

参照号	零部件序号	数量	零部件名称	NAME OF PARTS	RM
1	SA5746001	1	主面板	MAIN PLATE	
2	SA5747001	1	主面板垫片	MAIN PLATE PACKING	
3	062501216	4	螺钉 M5X12	SCREW PAN M5X12	
4	SA5749001	1	侧板	REAR COVER	
5	SA5750001	1	侧板垫片	REAR COVER PACKING	
6	062501216	5	螺钉 M5X12	SCREW PAN M5X12	
7	SA5751001	1	皮带罩	BELT COVER	
8	0A4401606	4	螺栓(带垫圈) M4X16DA	SCREW PAN (S/P WASHER) M4X16	
9	SA5752201	1	底板台	BED BASE	
10	SA5753001	3	底座防震垫	BED BASE CUSHION	
11	SA7556001	3	垫块 4X6.5	SPACER 4X6.5	
12	060401216	3	螺钉 M4X12	SCREW BIND M4X12	
13	047501242	1	弹簧销 AW5	PIN SPRING ROLL AW5	
14	158827009	4	底座防震垫 A	BED BASE CUSHION, A	
15	S21728001	4	螺栓 M6X80	BOLT M6X80	
16	159458009	4	橡皮垫	RUBBER SHEET	
17	115947101	4	垫圈 6.35	WASHER PLAIN 6.35	
18	025060336	4	平垫圈 L6	WASHER PLAIN L 6	
19	021060106	4	螺母 M6	NUT 1 M6	
20	SA5754001	1	缓冲器	GS SPRING	
21	SA5763001	1	GS支撑板	GS SUPPORT PLATE	
22	S55477001	2	螺栓(带垫圈) M6X16	BOLT SOCKET (S/P WASHER)M6X16	
23	S35218101	1	GS销 F	SUPPORT PIN, F :GS	
24	048080142	2	轴用挡圈 C8	RETAINING RING EXTERNAL C8	
25	SA5764001	1	GS 支撑轴	GS SUPPORT SHAFT	
26	048080142	2	轴用挡圈 C8	RETAINING RING EXTERNAL C8	
27	154465001	1	废油盖支撑组件	DUST OILER SUPPORT ASSY	
28	114486002	1	油壶	OILER	
29	062500816	2	螺钉 M5X8	SCREW PAN M5X8	
30	SA5765101	1	铰链杆轴	HINGE LEVER SHAFT	
31	014060836	1	固定螺钉 M6X8	SET SCREW SOCKET (CP) M6X8	
32	SA5766001	1	铰链支撑轴	HINGE SUPPORT SHAFT	
33	014060836	1	固定螺钉 M6X8	SET SCREW SOCKET (CP) M6X8	
34	SA5791101	1	头部支撑手柄	HEAD SUPPORT LEVER	
35	SA5792001	1	弹簧 A	SPRING TWIST A	
36	SA5802001	2	铰链 B	HINGE B	
37	014060836	2	固定螺钉 M6X8	SET SCREW SOCKET (CP) M6X8	
38	SA7044001	2	底板铰链轴	BED HINGE SHAFT	
39	014060836	2	固定螺钉 M6X8	SET SCREW SOCKET (CP) M6X8	
40	SA5803001	1	针导向盖	NEEDLE GUIDE COVER	
41	062400816	4	螺钉 M4X8	SCREW PAN M4X8	
42	SA5804001	1	护指器	FINGER GUARD	
43	SA9528001	2	轴位螺钉 M4	SHOULDER SCREW M4	
44	021400206	2	六角螺母 M4	NUT 2 M4	
45	107017001	2	弹簧垫圈	WAVE WASHER	
46	028040246	2	弹簧垫圈 2-4	WASHER SPRING 2-4	
47	SA5805001	1	底板盖	BED COVER	
48	004401003	2	螺钉 M4X10	SCREW, FLAT M4X10	
49	S58636001	1	螺栓(带垫圈) M8X30	BOLT SOCKET (S/P WASHER)M8X30	
50	104833001	1	橡皮塞 4.3	RUBBER CAP, 4.3	
51	104833001	2	橡皮塞 4.3	RUBBER CAP, 4.3	
52	S32263001	1	橡皮塞 8.5	RUBBER CAP, 8.5	
53	S32263001	2	橡皮塞 8.5	RUBBER CAP, 8.5	
54	S32263001	1	橡皮塞 8.5	RUBBER CAP, 8.5	
55	104821001	2	橡皮塞 10.5	RUBBER CAP, 10.5	
56	150756000	2	橡皮塞 18.5	RUBBER CAP, 18.5	
57	150756000	1	橡皮塞 18.5	RUBBER CAP, 18.5	
58	150756000	1	橡皮塞 18.5	RUBBER CAP, 18.5	
59	150756000	1	橡皮塞 18.5	RUBBER CAP, 18.5	
60	158882001	4	橡皮塞 22	RUBBER CAP, 22	
61	SA5810001	1	橡皮塞 23.5	RUBBER CAP 23.5	
62	SA5811001	1	橡皮塞 38.5	RUBBER CAP 38.5	

A. 机体部分 / Machine body



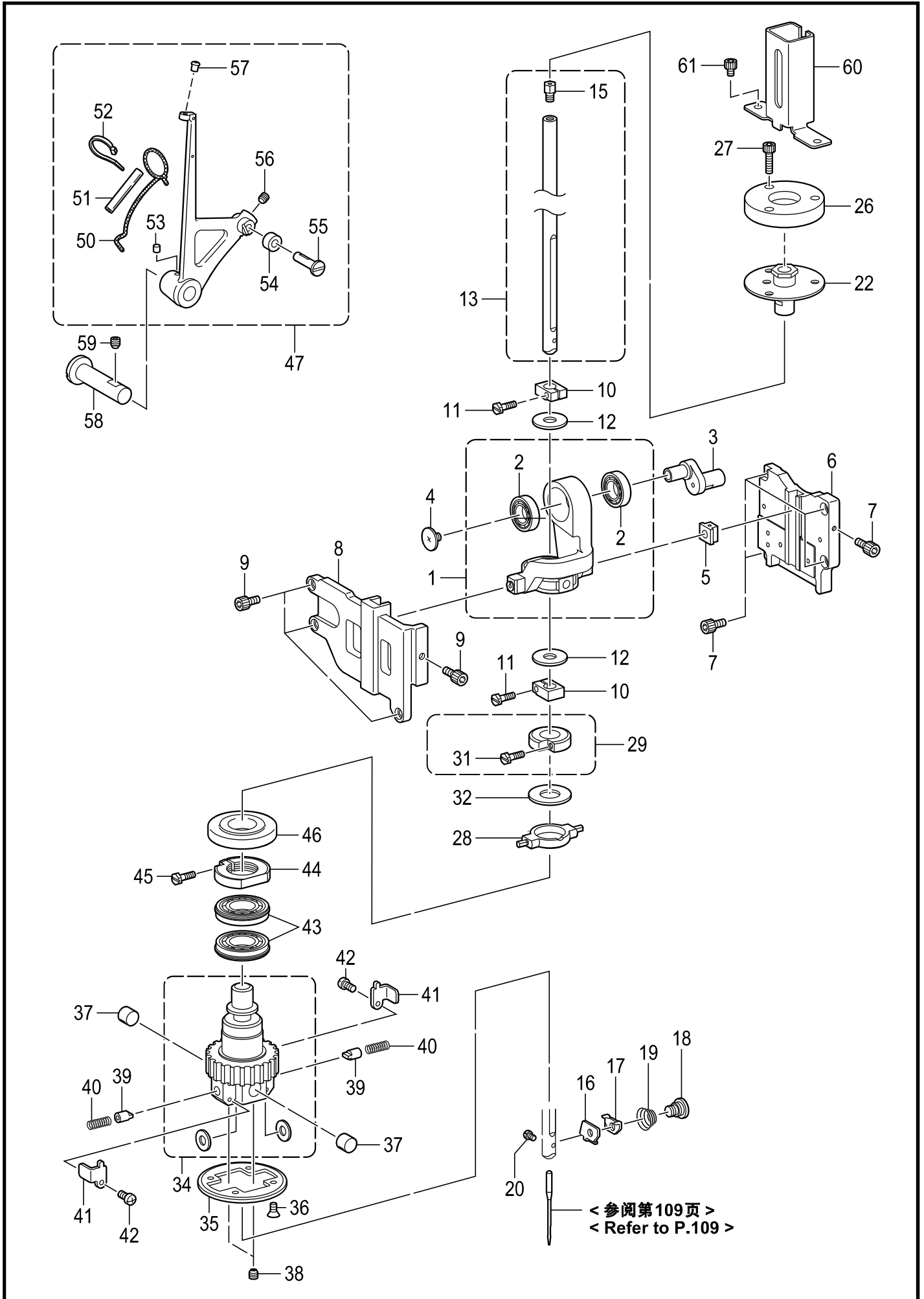
RH-9820-050



A. 机体部分 / Machine body

参照号	零部件序号	数量	零部件名称	NAME OF PARTS	RM
63	SA5819001	1	橡皮塞	RUBBER CAP	
64	SA5820001	1	线管	CORD BUSH	
65	SA5821001	1	窗盖	Z-WINDOW COVER	
66	SA9528001	1	轴位螺钉 M4	SHOULDER SCREW M4	
67	107017001	1	弹簧垫圈	WAVE WASHER	
68	SA0793001	1	<用于日本以外> 操作注意标签(中 / 英)	<Except for Japan> LABEL, CAUTION CHN/ENG	
69	SA0792001	1	<用于日本> 操作注意标签(日 / 英)	<For Japan only> LABEL, CAUTION JPN/ENG	
70	S36924001	6	警告标记	INJURY MARK	
71	S37060001	4	接地标记	LABEL, GROUNDING	

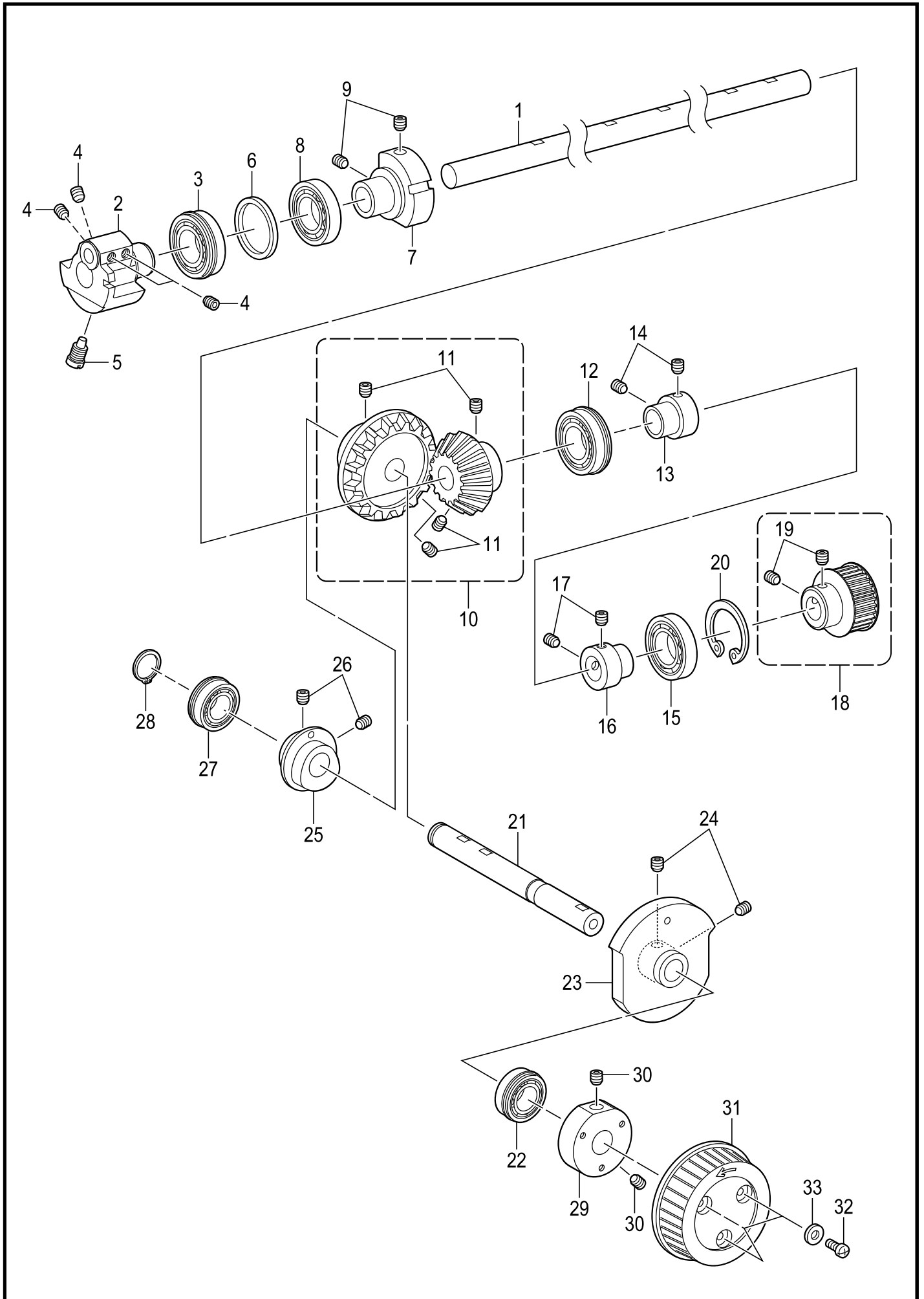
B. 针杆和挑线杆装置 / Needle bar and thread take-up mechanism



## B. 针杆和挑线杆装置 / Needle bar and thread take-up mechanism

参照号	零部件序号	数量	零部件名称	NAME OF PARTS	RM
1	SA5936001	1	曲柄连杆总组件	CRANK ROD UNIT	
2	SA5570001	2	轴承 608ZZ	BALL BEARING 608ZZ	
3	SA6652001	1	针杆曲柄	NEEDLE BAR CRANK	
4	145465001	1	螺钉 SM3.57-40X6L	SCREW, SM3.57-40X6 L	
5	SA6653001	1	滑块 8X10D	SLIDE BLOCK 8X10D	
6	SA6654101	1	滑块导向 D	SLIDE BLOCK GUIDE D	
7	018401036	5	螺栓 M4X10	BOLT SOCKET M4X10	
8	SA6655001	1	滑块导向 F	SLIDE BLOCK GUIDE F	
9	018401036	4	螺栓 M4X10	BOLT SOCKET M4X10	
10	S35332001	2	针杆抱箍	NEEDLE BAR CLAMP	
11	S59242101	2	固定螺钉	NEEDLE BAR BRACKET SCREW	
12	SA6656001	2	垫圈 8X21X1.5	WASHER 8X21X1.5	
13	SA6657001	1	针杆组件 L	NEEDLE BAR ASSY L	
15	SA6659001	1	针杆线口 S	NEEDLE BAR YARN FEEDER S	
16	SA9385001	1	线导向	NEEDLE GUIDE	
17	SA9386001	1	压线板	NEEDLE THREAD HOLDER PLATE	
18	SA9387001	1	轴位螺钉 SM3.18	SHOULDER SCREW SM3.18	
19	SA9388001	1	调整弹簧	TENSION SPRING	
20	140553102	1	固定螺钉 SM3.18	SET SCREW, SM3.18	
22	SA5830001	1	针杆轴套组件 U	NEEDLE BAR BUSH U ASSY	
26	SA5833001	1	针杆轴套支撑基座 C	NEEDLE BAR BUSH HOLDER BASE C	
27	018402036	3	螺栓 M4X20	BOLT SOCKET M4X20	
28	SA5834001	1	针摆水平连杆	ZIGZAG HORIZON LINK	
29	SA5835101	1	针杆支架组件	NEEDLE BAR BLOCK BRACKET ASSY	
31	S59242101	1	固定螺钉	NEEDLE BAR BRACKET SCREW	
32	S35113001	1	针杆管套	NEEDLE BAR BLOCK COLLAR	
34	SA5837101	1	针杆齿轮基座组件	NEEDLE BAR GEAR BASE ASSY	
35	SA7609001	1	手轮法兰	PULLEY FLANGE	
36	S06696004	4	螺钉 M3X6	SCREW, FLAT M3X6	
37	SA5907001	2	针杆导向管套	NEEDLE BAR GUIDE COLLAR	
38	014400532	2	螺钉 M4X5	SET SCREW SOCKET (CP) M4X5	
39	S35137001	2	针杆导向	NEEDLE BAR GUIDE	
40	S35136001	2	弹簧	NEEDLE BAR GUIDE SPRING	
41	SA5908001	2	针杆导向支撑板	NEEDLE BAR GUIDE SUPPORT PLATE	
42	062300616	2	螺钉 M3X6	SCREW PAN M3X6	
43	SA5919001	2	轴承 6805ZZNR	BALL BEARING 6805ZZNR	
44	SA5920001	1	针杆齿轮螺母	NEEDLE BAR GEAR NUT	
45	S59242101	1	固定螺钉	NEEDLE BAR BRACKET SCREW	
46	SA5923001	1	齿轮螺母盖	GEAR NUT COVER	
47	SA7531001	1	跳线杆总组件	THREAD TAKE-UP LEVER UNIT	
50	SA5843001	1	油线 2X2	WICK 2X2	
51	SA5849001	1	油管	OIL TUBE	
52	228475000	1	电线夹 1.9X80	FASTENING BAND 1.9X80	
53	S25328001	1	油毡	FELT	
54	SA5850001	1	滚轮	ROLLER	
55	SA5865001	1	滚轮轴	ROLLER SHAFT	
56	012500536	1	螺钉 M5X5	SET SCREW SOCKET (FT) M5X5	
57	SA5842001	1	线导向	THREAD GUIDE	
58	SA5880001	1	跳线杆支撑轴	THREAD TAKE-UP L SUPPORT SHAFT	
59	014060636	1	固定螺钉 M6X6	SET SCREW SOCKET (CP) M6X6	
60	SA5889001	1	针杆护架	NEEDLE BAR GUARD	
61	018400636	2	螺栓 M4X6	BOLT SOCKET M4X6	

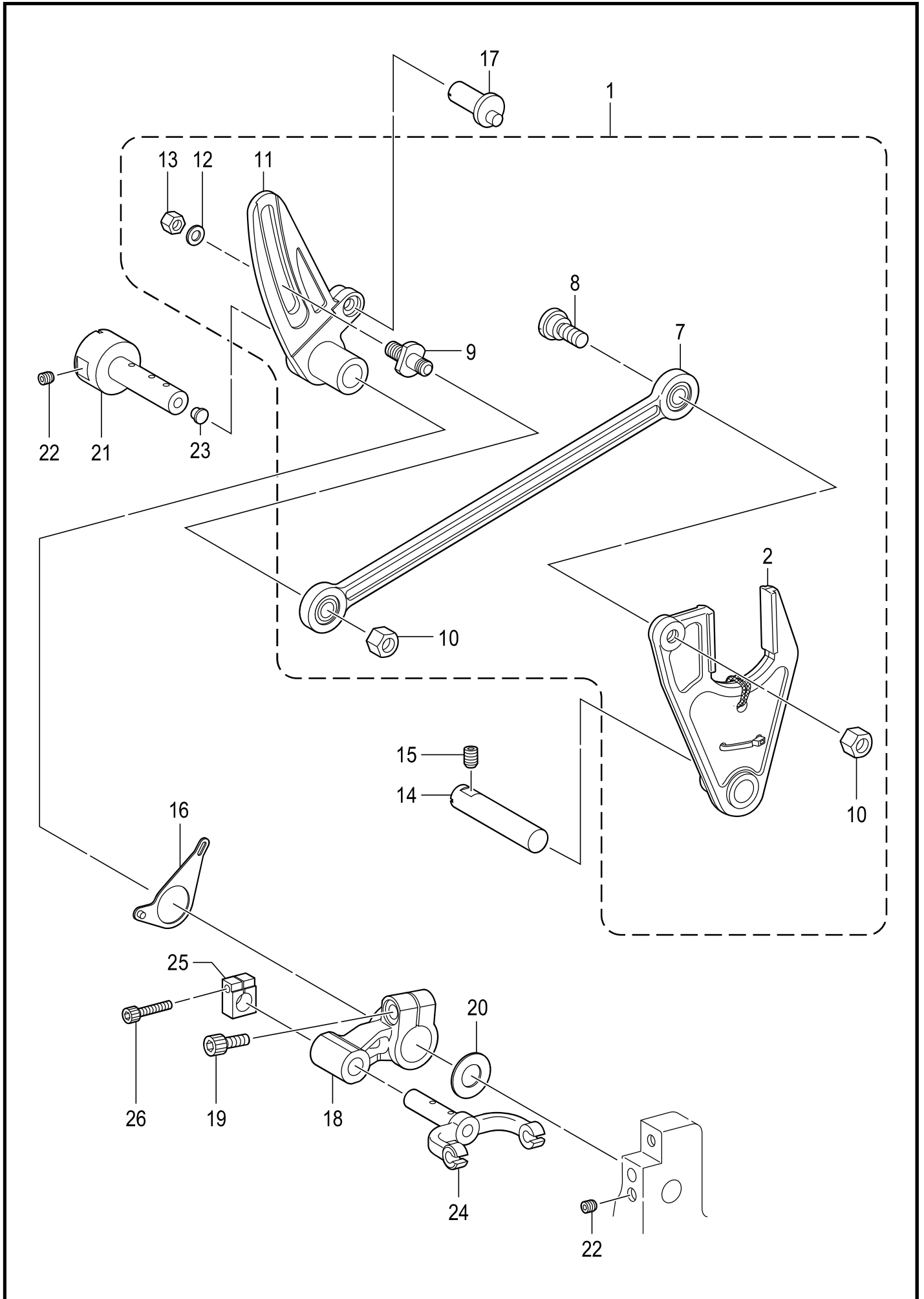
C . 上轴装置 / Upper shaft mechanism



C. 上轴装置 / Upper shaft mechanism

参照号	零部件序号	数量	零部件名称	NAME OF PARTS	RM
1	SA5890001	1	上轴	UPPER SHAFT	
2	SA5893001	1	上轴曲柄	UPPER SHAFT CRANK	
3	SA5571001	1	轴承 6004ZZNR	BALL BEARING 6004ZZNR	
4	S23651001	4	固定螺钉 M6X6	SET SCREW SOCKET (FT) M6X6	
5	S25235001	1	螺钉 M8	SCREW M8	
6	SA5897001	1	垫圈 34X42	SPACER 34X42	
7	SA6661001	1	平衡管套	BALANCE COLLAR	
8	SA5572001	1	轴承 6004ZZ	BALL BEARING 6004ZZ	
9	S23651001	2	固定螺钉 M6X6	SET SCREW SOCKET (FT) M6X6	
10	SA6662001	1	伞齿轮组件	HYPOID GEAR ASSY	
11	S23651001	4	固定螺钉 M6X6	SET SCREW SOCKET (FT) M6X6	
12	SA5573001	1	轴承 6204ZZNR	BALL BEARING 6204ZZNR	
13	SA5564001	1	轴承管套	BEARING COLLAR	
14	S23651001	2	固定螺钉 M6X6	SET SCREW SOCKET (FT) M6X6	
15	SA6667001	1	轴承 6304ZZ	BALL BEARING 6304ZZ	
16	SA5564001	1	轴承管套	BEARING COLLAR	
17	S23651001	2	固定螺钉 M6X6	SET SCREW SOCKET (FT) M6X6	
18	SA5548001	1	同步轮组件	TIMING PULLEY UNIT	
19	S23651001	2	固定螺钉 M6X6	SET SCREW SOCKET (FT) M6X6	
20	048520242	1	孔用挡圈 C52	RETAINING RING INTERNAL C52	
21	SA6668001	1	轴	ORTHOGONAL SHAFT	
22	SA6669001	1	轴承 6202DDUNR	BALL BEARING 6202DDUNR	
23	SA6671001	1	挑线杆凸轮	CAM ROLLER TAKE-UP	
24	S23651001	2	固定螺钉 M6X6	SET SCREW SOCKET (FT) M6X6	
25	SA6673001	1	针摆凸轮	ZIGZAG CAM	
26	S23651001	2	固定螺钉 M6X6	SET SCREW SOCKET (FT) M6X6	
27	SA6674001	1	轴承 6002ZZNR	BALL BEARING 6002ZZNR	
28	048150142	1	轴用挡圈 C15	RETAINING RING EXTERNAL C15	
29	SA4629001	1	上轮基座	PULLEY BASE	
30	S23651001	2	固定螺钉 M6X6	SET SCREW SOCKET (FT) M6X6	
31	SA6676001	1	手轮	PULLEY	
32	062401016	3	螺钉 M4X10	SCREW PAN M4X10	
33	SA5158101	3	垫圈 L4	WASHER PLAIN L 4	

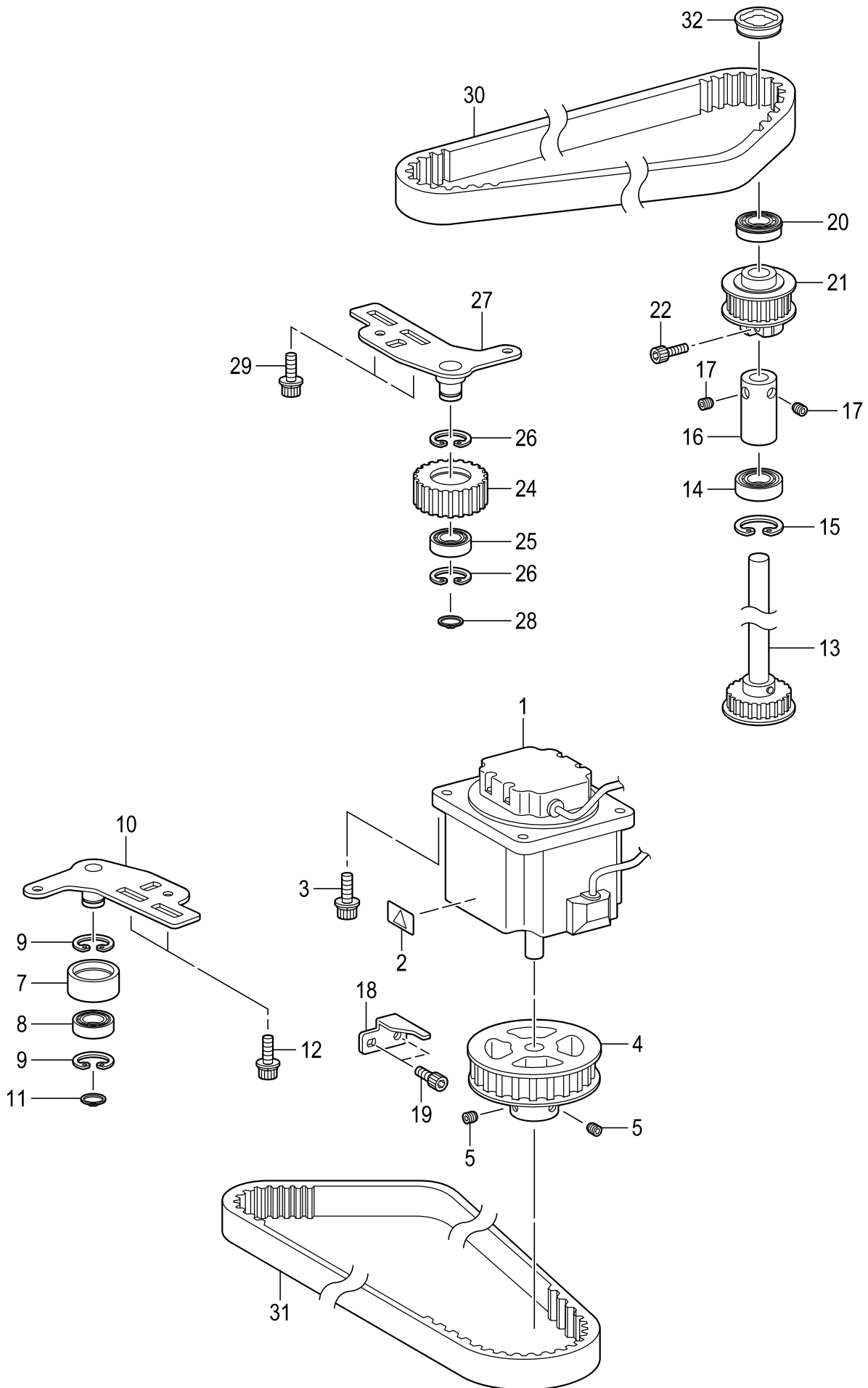
D. 针摆装置 / Zigzag mechanism



## D. 针摆装置 / Zigzag mechanism

参照号	零部件序号	数量	零部件名称	NAME OF PARTS	RM
1	SA6677001	1	针摆复合件	ZIGZAG UNIT	
2	SA6678001	1	针摆叉组件	ZIGZAG FORK ASSY	
7	SA6682001	1	针摆连杆组件	ZIGZAG CONNECTING ROD ASSY	
8	SA6684001	1	轴位螺钉 M6	SHOULDER SCREW M6	
9	SA6685001	1	双头螺栓	ZIGZAG CRANK SCREW	
10	021060106	2	螺母 M6	NUT 1 M6	
11	SA6686001	1	针摆曲柄	ZIGZAG CRANK	
12	155559001	1	平垫圈	WASHER PLAIN	
13	S35251101	1	螺母 M6	NUT M6	
14	SA6687001	1	针摆叉轴	ZIGZAG FORK SUPPORT SHAFT	
15	012061036	1	螺钉 M6X10	SET SCREW SOCKET (FT) M6X10	
16	SA6688001	1	针位调整板组件	N-POSITION CONTROL PLATE ASSY	
17	S35252001	1	针摆偏心销	Z-ECCENTRIC PIN	
18	SA6691001	1	针摆驱动杆	ZIGZAG DRIVING LEVER	
19	018061636	1	螺栓 M6X16	BOLT SOCKET M6X16	
20	SA6692001	1	垫圈	SPACER	
21	SA6693001	1	针摆动轴	ZIGZAG COAXIAL ROCK SHAFT	
22	012500536	2	螺钉 M5X5	SET SCREW SOCKET (FT) M5X5	
23	156482000	1	橡皮塞 4	CAP, 4	
24	SA6694001	1	针摆臂	ZIGZAG LEVER	
25	S35332001	1	针杆抱箍	NEEDLE BAR CLAMP	
26	018301236	1	螺栓 M3X12	BOLT SOCKET M3X12	

E . 针杆摆动装置 / Needle bar rocking mechanism

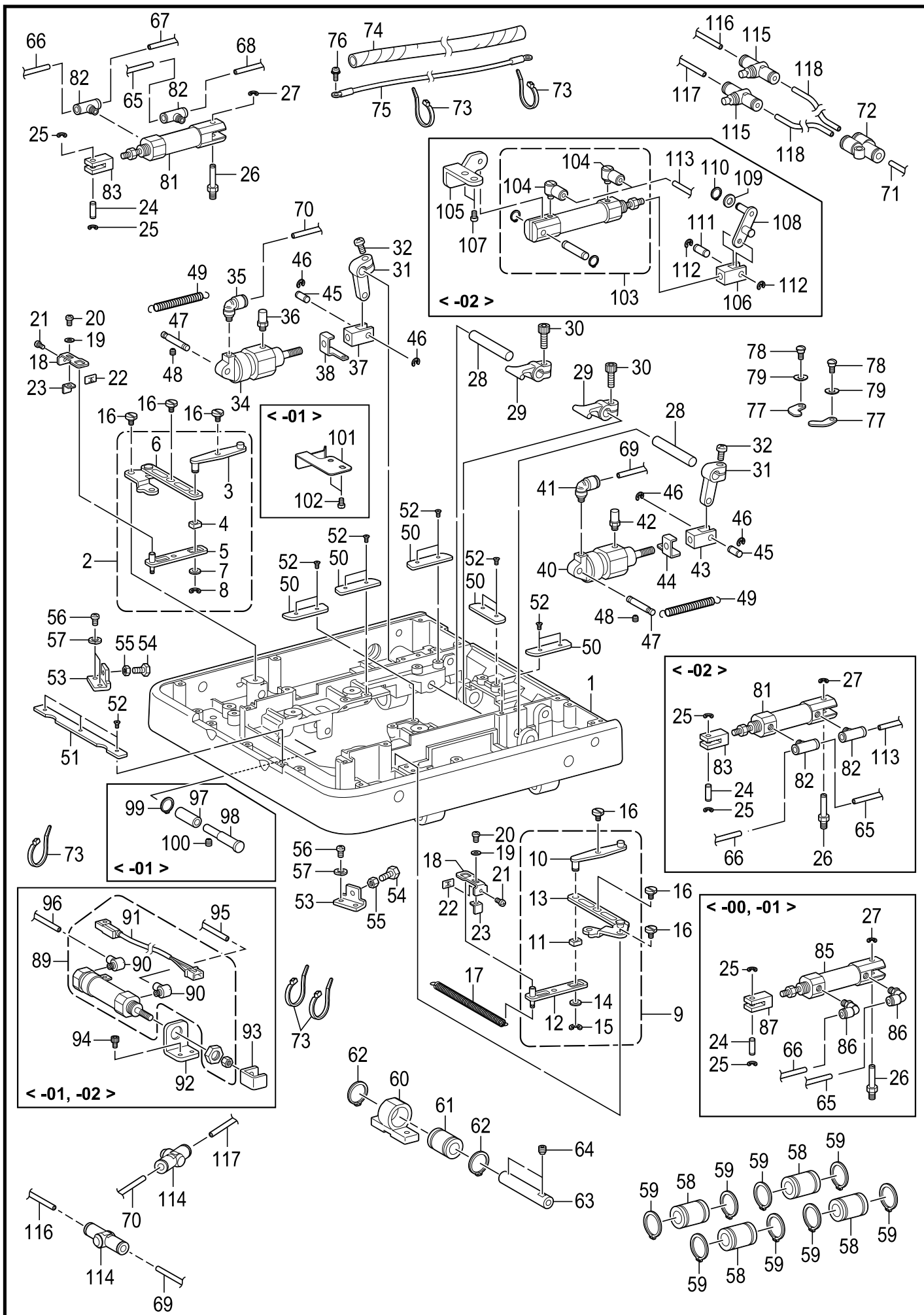




## E. 针杆摆动装置 / Needle bar rocking mechanism

参照号	零部件序号	数量	零部件名称	NAME OF PARTS	RM
1	SA6542001	1	脉冲马达组件 R	PULSE MOTOR ASSY R	
2	J03663001	1	高温标签 13X20	LABEL, HIGH TEMP. 13X20	
3	S55487001	4	螺栓(带垫圈) 5X16	BOLT SOCKET (S/P WASHER) M5X16	
4	SA6695001	1	送布轮组件 M	THETA M PULLEY ASSY	
5	012060636	2	螺钉 M6X6	SET SCREW SOCKET (FT) M6X6	
7	S35284101	1	张力轮	TENSION PULLEY	
8	SA5574001	1	轴承 6000ZZ	BALL BEARING 6000ZZ	
9	048260242	2	孔用挡圈 C26	RETAINING RING INTERNAL C26	
10	SA5552001	1	支架组件	T PULLEY HOLDER ASSY	
11	048100142	1	轴用挡圈 C10	RETAINING RING EXTERNAL C10	
12	S55481001	2	螺栓(带垫圈) M4X12	BOLT SOCKET (S/P WASHER)M4X12	
13	SA6699001	1	弯针移动轴组件	DRIVING LOOPER SHAFT ASSY	
14	SA6702001	1	轴承 6201ZZ	BALL BEARING 6201ZZ	
15	048320242	1	孔用挡圈 C32	RETAINING RING INTERNAL C32	
16	SA6703001	1	紧圈	SET SCREW COLLAR	
17	012060636	2	螺钉 M6X6	SET SCREW SOCKET (FT) M6X6	
18	SA6704001	1	马达定位	MOTOR STOPPER	
19	018061236	2	螺栓 M6X12	BOLT SOCKET M6X12	
20	SA6705001	1	轴承 6001ZZNR	BALL BEARING 6001ZZNR	
21	SA6707001	1	竖轴张力轮组件 U	V-PULLEY T-PULLEY U ASSY	
22	018401636	1	螺栓 M4X16	BOLT SOCKET M4X16	
24	SA6711001	1	张力轮 U	TENSION PULLEY U	
25	SA5574001	1	轴承 6000ZZ	BALL BEARING 6000ZZ	
26	048260242	2	孔用挡圈 C26	RETAINING RING INTERNAL C26	
27	SA5552001	1	支架组件	T PULLEY HOLDER ASSY	
28	048100142	1	轴用挡圈 C10	RETAINING RING EXTERNAL C10	
29	S55481001	2	螺栓(带垫圈) M4X12	BOLT SOCKET (S/P WASHER)M4X12	
30	SA6712001	1	T皮带 580-5GT	T BELT 580-5GT	
31	SA6713001	1	T皮带 810-5GT	T BELT 810-5GT	
32	SA6714001	1	橡皮塞 32.5	RUBBER CAP 32.5	

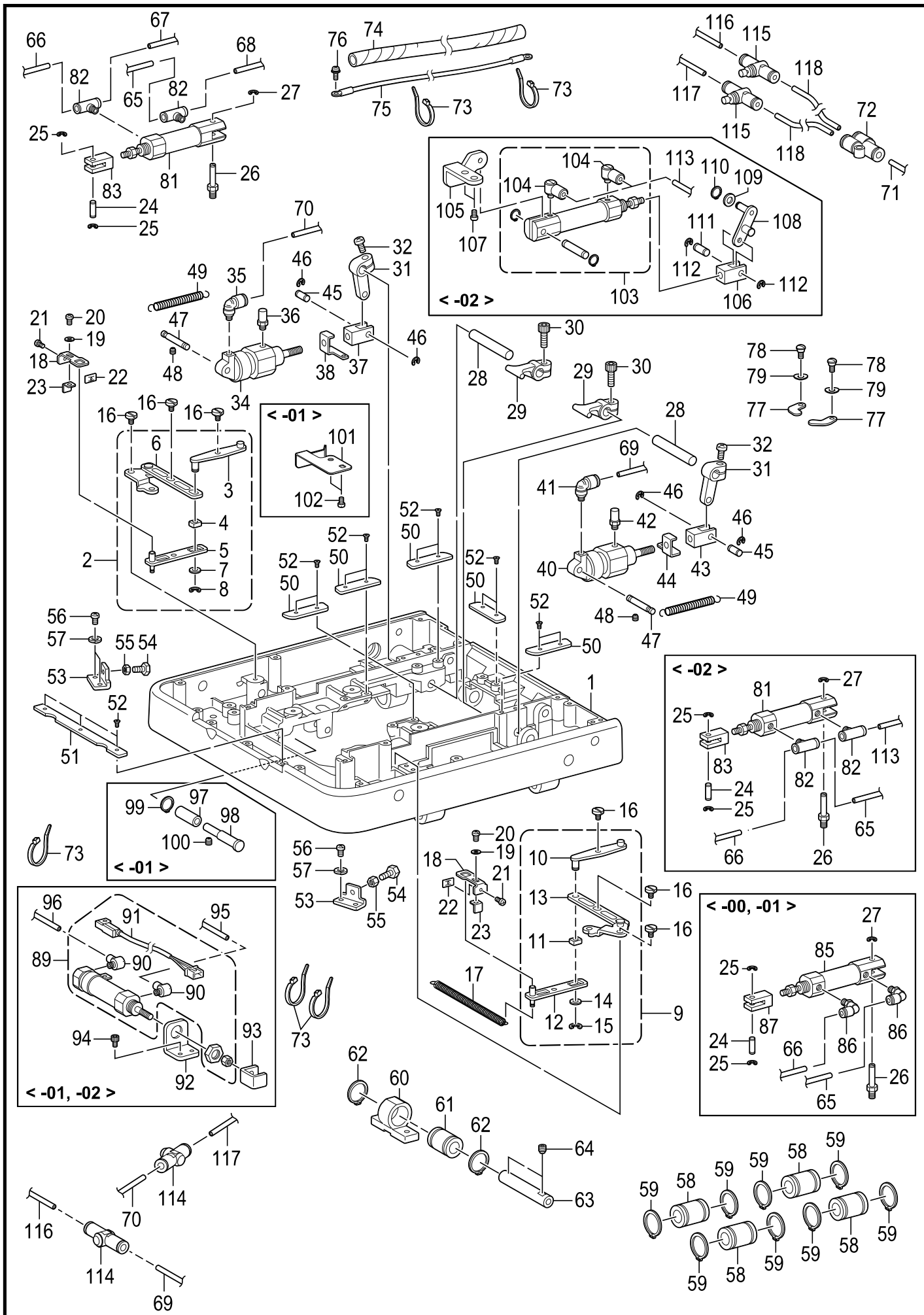
F1. 压脚板装置 / Work clamp mechanism



F1. 压脚板装置 / Work clamp mechanism

参照号	零部件序号	数量	零部件名称	NAME OF PARTS	RM
			<用于-00、-01和-02>	<For -00, -01 and -02>	
1	SA5690001	1	送布台	FEED BAR	
2	SA5677001	1	打开连杆组件 L	OPENING CONNECTING ROD ASSY L	
3	SA7176001	1	支点杆板	FULCRUM LEVER PLATE	
4	102630001	1	针杆接头滑块	NEEDLE BAR GUIDE SLIDE BLOCK	
5	SA5557001	1	摇动杆	ROCKER LEVER	
6	SA5579001	1	打开驱动杆组件 L	OPENING DRIVING LEVER ASSY L	
7	109763002	1	垫圈	WASHER	
8	048050342	1	挡圈 E5	RETAINING RING E5	
9	SA5678001	1	打开连杆组件 R	OPENING CONNECTING ROD ASSY R	
10	SA7176001	1	支点杆板	FULCRUM LEVER PLATE	
11	102630001	1	针杆接头滑块	NEEDLE BAR GUIDE SLIDE BLOCK	
12	SA5557001	1	摇动杆	ROCKER LEVER	
13	SA5578001	1	打开驱动杆组件 R	OPENING DRIVING LEVER ASSY R	
14	109763002	1	垫圈	WASHER	
15	048050342	1	挡圈 E5	RETAINING RING E5	
16	SA7527001	6	轴位螺钉 M5	SHOULDER SCREW M5	
17	S35429101	1	弹簧	EXTENSION SPRING	
18	SA5583001	2	定位板	STOPPER PLATE OPENING	
19	026040236	2	平垫圈 M4	WASHER PLAIN M 4	
20	062400816	2	螺钉 M4X8	SCREW PAN M4X8	
21	062301016	2	螺钉 M3X10	SCREW PAN M3X10	
22	S34968000	2	螺母 M3	SPEED NUT M3	
23	S35328001	2	定位板	STOPPER PLATE	
24	S34969001	2	气缸连杆销 B	ROD PIN, B :CYLINDER	
25	048030342	4	挡圈 E3	RETAINING RING E3	
26	SA5584001	2	气缸螺栓	CYLINDER SCREW	
27	048050142	2	轴用挡圈 C5	RETAINING RING EXTERNAL C5	
28	S35239101	2	压脚杆轴	CLAMP LEVER SHAFT	
29	S35240001	2	压脚杆 B	CLAMP LEVER, B	
30	018501236	2	螺栓 M5X12	BOLT SOCKET M5X12	
31	SA5582001	2	压脚驱动杆	CLAMP DRIVING LEVER	
32	062501202	2	螺钉 M5X12	SCREW PAN M5X12	
34	S35350000	1	气缸 16X10	CYLINDER 16X10	
35	S53488000	1	接头	JOINT	
36	S13955000	1	消音器	AIR BOLSTER	
37	SA5558001	1	气缸连杆	CLAMP CYLINDER ROD	
38	S35457001	1	弹簧挂钩 L	SPRING HOOK, L	
40	S35350000	1	气缸 16X10	CYLINDER 16X10	
41	S53488000	1	接头	JOINT	
42	S13955000	1	消音器	AIR BOLSTER	
43	SA5558001	1	气缸连杆	CLAMP CYLINDER ROD	
44	S35458001	1	弹簧挂钩 R	SPRING HOOK, R	
45	S35305001	2	气缸连杆销	CYLINDER ROD PIN	
46	048030342	4	挡圈 E3	RETAINING RING E3	
47	S35304001	2	气缸支架杆	CLAMP CYLINDER SUPPORT	
48	014400532	2	螺钉 M4X5	SET SCREW SOCKET (CP) M4X5	
49	S35456101	2	弹簧	SPRING	
50	SA5675001	5	导向板 A	GUIDE PLATE A	
51	SA5676001	1	导向板 B	GUIDE PLATE B	
52	S06696004	13	螺钉 M3X6	SCREW, FLAT M3X6	
53	S35327001	2	气缸定位	OPENING CYLINDER STOPPER	
54	017401616	2	螺栓 M4X16	BOLT M4X16	
55	021400202	2	六角螺母 M4	NUT 2 M4	
56	062400816	4	螺钉 M4X8	SCREW PAN M4X8	
57	028040242	4	弹簧垫圈 2-4	WASHER SPRING 2-4	
58	S12004000	4	线性轴套	LINEAR BUSH	
59	S02460001	8	轴用挡圈 C19	RETAINING RING, EXTERNAL C19	
60	SA5692001	1	Y轴支座	Y BEARING	
61	S12004000	1	线性轴套	LINEAR BUSH	
62	S02460001	2	轴用挡圈 C19	RETAINING RING, EXTERNAL C19	
63	SA5691001	1	Y导向轴	Y GUIDE SHAFT	
64	012500536	2	螺钉 M5X5	SET SCREW SOCKET (FT) M5X5	

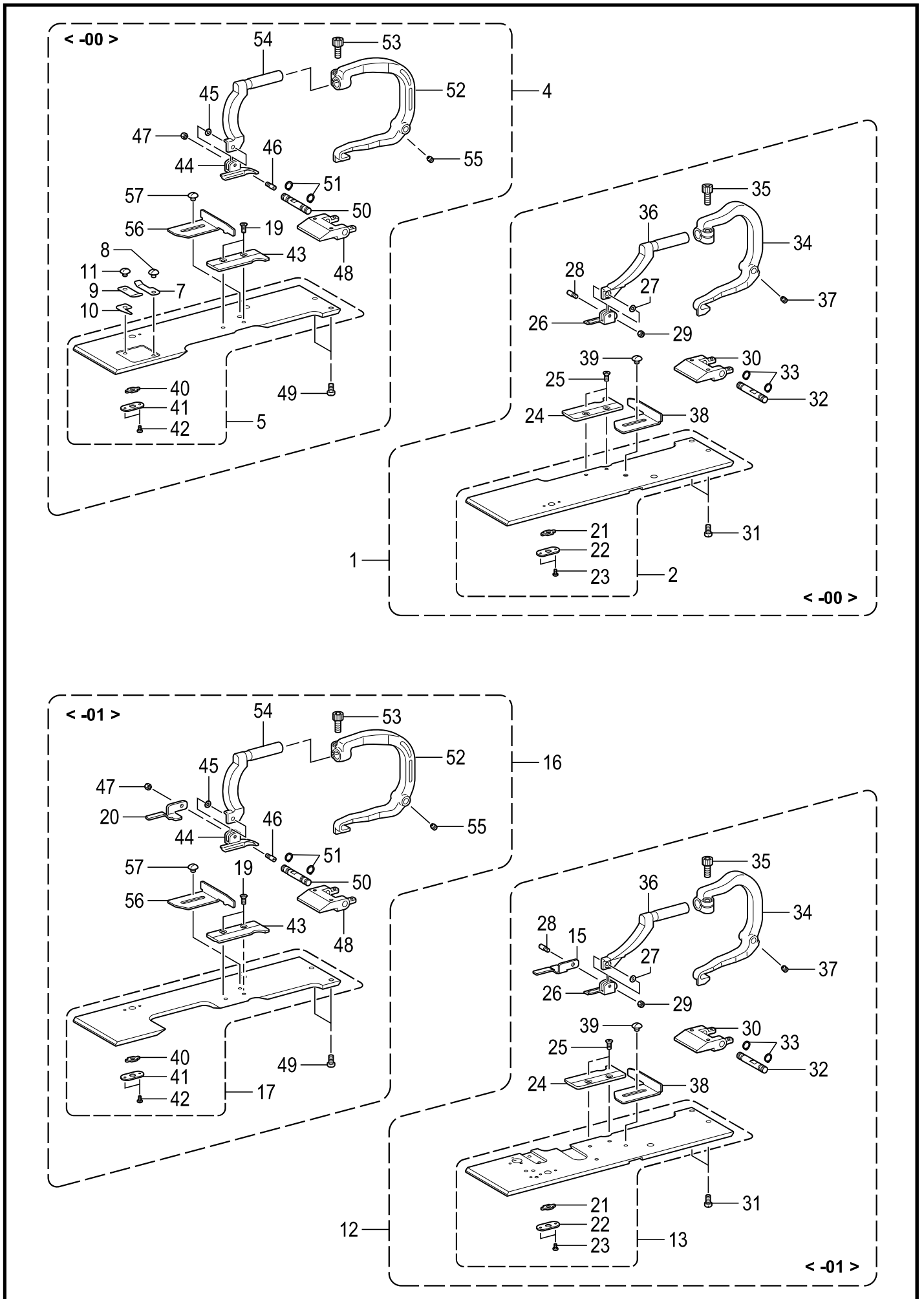
F1. 压脚板装置 / Work clamp mechanism



F1. 压脚板装置 / Work clamp mechanism

参照号	零部件序号	数量	零部件名称	NAME OF PARTS	RM
65	SA5681001	1	空气管 4X2.5-24	AIR TUBE 4X2.5-24	
66	SA5682001	1	空气管 4X2.5-23	AIR TUBE 4X2.5-23	
67	SA5683001	1	空气管 4X2.5-15	AIR TUBE 4X2.5-15	
68	SA5684001	1	空气管 4X2.5-16	AIR TUBE 4X2.5-16	
69	SA7973001	1	空气管 4X2.5-21	AIR TUBE 4X2.5-21	
70	SA7974001	1	空气管 4X2.5-22	AIR TUBE 4X2.5-22	
71	SA7975001	1	空气管 4X2.5-18	AIR TUBE 4X2.5-18	
72	S12104000	1	结合管接头 Y4	UNION Y4	
73	S04557000	5	电线夹 PLT1M	BAND, PLT1M	
74	SA5688101	1	螺旋卷线 L	SPIRAL L	
75	SA5435001	1	接地线 550	GROUND WIRE 550	
76	052400606	1	螺钉(垫圈3点) M4X6	SCREW, PAN (S/P WASHER) M4X6	
77	SA6727001	2	板夹	PLATE PRESSER	
78	S35324201	2	轴位螺钉 M4	SHOULDER SCREW M4	
79	S36345000	2	垫圈	WASHER, BENDING	
<用于 -00 和 -01>				<For -00 and -01>	
81	SA7043001	1	气缸组件 T 16X15	CYLINDER ASSY T 16X15	
82	SA1828001	2	管接头 KQ2T04-M5	JOINT, KQ2T04-M5	
83	S34970001	1	气缸杆	CYLINDER ROD OPENING	
85	SA7050001	1	气缸组件 L 16X15	CYLINDER ASSY L 16X15	
86	S11426000	2	弯管接头 4M5	ELBOW UNION 4M5	
87	S34970001	1	气缸杆	CYLINDER ROD OPENING	
<用于 -01 和 -02>				<For -01 and -02>	
89	SA5679001	1	气缸组件 B 16X30	CYLINDER ASSY B 16X30	
90	S12150000	2	管接头 M-5HL-4	TUBE ELBOW, M-5HL-4	
91	SA6527001	1	感应器连线组件	LOWER OFF SENSOR ASSY	
92	S34914101	1	气缸支架	T-TRIM. CYLINDER SUPPORT PLATE	
93	S34913001	1	气缸手柄	THREAD TRIMMER CYLINDER CLAW	
94	018400836	2	螺栓 M4X8	BOLT SOCKET M4X8	
95	SA5680001	1	空气管 4X2.5-19	AIR TUBE 4X2.5-19	
96	SA5561001	1	空气管 4X2.5-20	AIR TUBE 4X2.5-20	
<用于 -01>				<For -01>	
97	SA7053001	1	轴套	G-THREAD TAKE-UP GUIDE COLLAR	
98	SA7054001	1	短轴	G-THREAD TAKE-UP GUIDE SHAFT	
99	048050142	1	轴用挡圈 C5	RETAINING RING EXTERNAL C5	
100	014400532	1	螺钉 M4X5	SET SCREW SOCKET (CP) M4X5	
101	SA7555001	1	板弹簧	FEED BAR PLATE SPRING	
102	062400816	2	螺钉 M4X8	SCREW PAN M4X8	
<用于 -02>				<For -02>	
81	SA7043001	2	气缸组件 T 16X15	CYLINDER ASSY T 16X15	
82	SA1828001	4	管接头 KQ2T04-M5	JOINT, KQ2T04-M5	
83	S34970001	2	气缸杆	CYLINDER ROD OPENING	
103	SA6719001	1	气缸组件 10X15	CYLINDER ASSY 10X15	
104	S12150000	2	管接头 M-5HL-4	TUBE ELBOW, M-5HL-4	
105	SA6720001	1	辅助压杆 S 支架	AUX CLAMP S HOLDER	
106	S35351001	1	气缸杆	CYLINDER ROD	
107	062400816	2	螺钉 M4X8	SCREW PAN M4X8	
108	SA6721001	1	气缸杆销	AUX CLAMP CONNECTING ROD ASSY	
109	025060236	1	平垫圈 M6	WASHER PLAIN M 6	
110	048060142	1	轴用挡圈 C6	RETAINING RING EXTERNAL C6	
111	SA6726001	1	气缸连杆销	CYLINDER ROD PIN	
112	048030342	2	挡圈 E3	RETAINING RING E3	
113	SA7131001	2	空气管 4X2.5-150	AIR TUBE 4X2.5-150	
114	SA7795001	2	快速排气管	QUICK EXHAUST	
115	SA7793001	2	速控 4	SPEED CONTROLLER	
116	SA7976001	1	空气管 4X2.5-25	AIR TUBE 4X2.5-25	
117	SA7977001	1	空气管 4X2.5-26	AIR TUBE 4X2.5-26	
118	SA7978001	2	空气管 4X2.5-27	AIR TUBE 4X2.5-27	

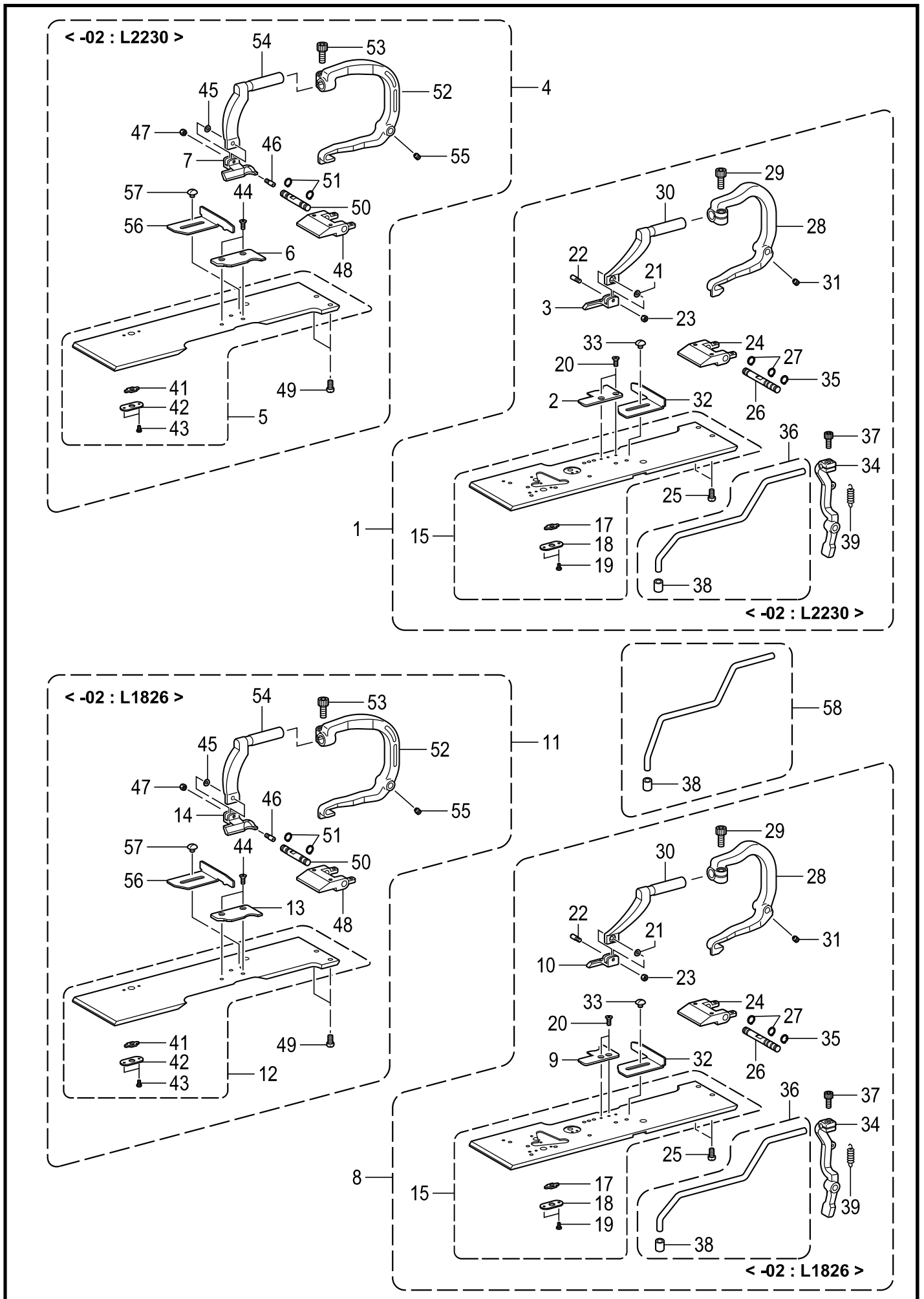
F2 . 压脚板装置 / Work clamp mechanism



F2. 压脚板装置 / Work clamp mechanism

参照号	零部件序号	数量	零部件名称	NAME OF PARTS	RM
			<用于 -00>	<For -00>	
1	SA7079101	1	压脚板总组件 R30	WORK CLAMP PLATE R30 UNIT	
2	SA7080001	1	压布板组件 R	WORK CLAMP PLATE R ASSY	
4	SA7082201	1	压脚板总组件 L30	WORK CLAMP PLATE L30 UNIT	
5	SA7083001	1	压布板组件 L	WORK CLAMP PLATE L ASSY	
7	SA7149001	1	板弹簧	PLATE SPRING	
8	S35326101	1	螺钉 M3.5	SCREW M3.5	
9	SA7150101	1	切线 A	THREAD TRIMMER A	
10	SA7151101	1	切线 B	THREAD TRIMMER B	
11	S35326101	1	螺钉 M3.5	SCREW M3.5	
			<用于 -01>	<For -01>	
12	SA7055101	1	压脚板总组件 RS30	WORK CLAMP PLATE RS30 UNIT	
13	SA7056001	1	压布板组件 RS	WORK CLAMP PLATE RS ASSY	
15	S35330001	1	压料板 R	WORK CLAMP PLATE, R	
16	SA7060101	1	压脚板总组件 LS30	WORK CLAMP PLATE LS30 UNIT	
17	SA7061001	1	压布板组件 LS	WORK CLAMP PLATE LS ASSY	
20	S35329001	1	压料板 L	WORK CLAMP PLATE, L	
19	S06696004	2	螺钉 M3X6	SCREW, FLAT M3X6	
21	S35315001	1	角块	OPENING SLIDE BLOCK	
22	S35316001	1	角块支撑板	SLIDE BLOCK SUPPORT PLATE	
23	060020416	2	螺钉 M2X4	SCREW BIND M2X4	
24	SA5673001	1	针板 R-42	NEEDLE PLATE R-42	
25	S06696004	2	螺钉 M3X6	SCREW, FLAT M3X6	
26	S39932101	1	压布夹 R-30	CLOTH WORK CLAMP, R-30	
27	S35236000	1	垫圈 3.2	WASHER, BENDING 3.2	
28	S35235001	1	支架销	SUPPORT PIN, CLAMP	
29	021300306	1	螺母 M3	NUT 3 M3	
30	SA5560001	1	夹轴承受板	CLAMP SHAFT HOLDER	
31	062400816	2	螺钉 M4X8	SCREW PAN M4X8	
32	SA5674001	1	支点轴	CLAMP FULCRUM SHAFT	
33	048060142	2	轴用挡圈 C6	RETAINING RING EXTERNAL C6	
34	SA5585101	1	夹杆 R	CLAMP LEVER R	
35	018501436	1	螺栓 M5X12	BOLT SOCKET M5X12	
36	SA5576101	1	夹臂 R	CLAMP ARM R	
37	014400532	2	螺钉 M4X5	SET SCREW SOCKET (CP) M4X5	
38	SA7550001	1	布挡板 R	CLOTH GUIDE R	
39	S35326101	1	螺钉 M3.5	SCREW M3.5	
40	S35315001	1	角块	OPENING SLIDE BLOCK	
41	S35316001	1	角块支撑板	SLIDE BLOCK SUPPORT PLATE	
42	060020416	2	螺钉 M2X4	SCREW BIND M2X4	
43	SA5672001	1	针板 L-42	NEEDLE PLATE L-42	
44	S39931101	1	压布夹 L-30	CLOTH WORK CLAMP, L-30	
45	S35236000	1	垫圈 3.2	WASHER, BENDING 3.2	
46	S35235001	1	支架销	SUPPORT PIN, CLAMP	
47	021300306	1	螺母 M3	NUT 3 M3	
48	SA5560001	1	夹轴承受板	CLAMP SHAFT HOLDER	
49	062400816	2	螺钉 M4X8	SCREW PAN M4X8	
50	SA5674001	1	支点轴	CLAMP FULCRUM SHAFT	
51	048060142	2	轴用挡圈 C6	RETAINING RING EXTERNAL C6	
52	SA5671101	1	夹杆 L	CLAMP LEVER L	
53	018501436	1	螺栓 M5X12	BOLT SOCKET M5X12	
54	SA5577101	1	夹臂 L	CLAMP ARM L	
55	014400532	2	螺钉 M4X5	SET SCREW SOCKET (CP) M4X5	
56	SA7551001	1	布挡板 L	CLOTH GUIDE L	
57	S35326101	1	螺钉 M3.5	SCREW M3.5	

F3 . 压脚板装置 / Work clamp mechanism

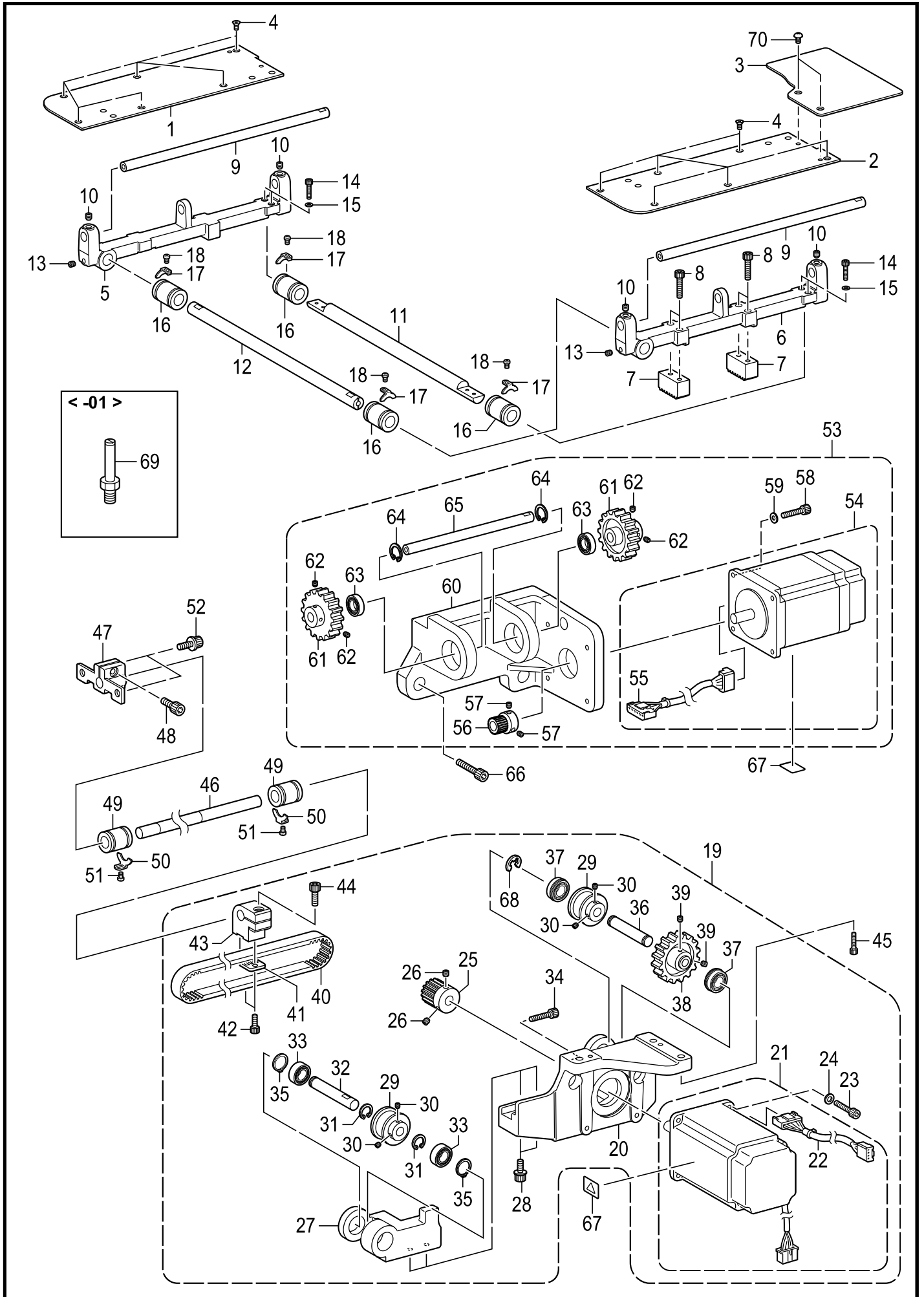




F3. 压脚板装置 / Work clamp mechanism

参照号	零部件序号	数量	零部件名称	NAME OF PARTS	RM
			<b>&lt;用于 -02: L2230&gt;</b>	<b>&lt;For -02: L2230&gt;</b>	
1	SA6728101	1	压脚板总组件 R2230	WORK CLAMP PLATE R2230 UNIT	
2	SA6731001	1	针板 L2230R	NEEDLE PLATE L 2230R	
3	SA6732001	1	压布夹 R-JL2230	WORK CLAMP R-JL2230	
4	SA6738101	1	压脚板总组件 L2230	WORK CLAMP PLATE L2230 UNIT	
5	SA6739001	1	压布板组件 JL	WORK CLAMP PLATE JL ASSY	
6	SA6741001	1	针板 L2230L	NEEDLE PLATE L 2230L	
7	SA6742001	1	压布夹 L-JL2230	WORK CLAMP L-JL2230	
			<b>&lt;用于 -02: L1826&gt;</b>	<b>&lt;For -02: L1826&gt;</b>	
8	SA7187101	1	压脚板总组件 R1826	WORK CLAMP PLATE R1826 ASSY	
9	SA7105001	1	针板 L1826R	NEEDLE PLATE L1826R	
10	SA7095001	1	压布夹 R-JL1826	WORK CLAMP R-JL1826	
11	SA7186101	1	压脚板总组件 L1826	WORK CLAMP PLATE L1826 ASSY	
12	SA6739001	1	压布板组件 JL	WORK CLAMP PLATE JL ASSY	
13	SA7100001	1	针板 L1826L	NEEDLE PLATE L1826L	
14	SA7090001	1	压布夹 L-JL1826	WORK CLAMP L-JL1826	
15	SA6729001	1	压布板组件 JR	WORK CLAMP PLATE JR UNIT	
17	S35315001	1	角块	OPENING SLIDE BLOCK	
18	S35316001	1	角块支撑板	SLIDE BLOCK SUPPORT PLATE	
19	060020416	2	螺钉 M2X4	SCREW BIND M2X4	
20	S06696004	2	螺钉 M3X6	SCREW, FLAT M3X6	
21	S35236000	1	垫圈 3.2	WASHER, BENDING 3.2	
22	S35235001	1	支架销	SUPPORT PIN, CLAMP	
23	021300306	1	螺母 M3	NUT 3 M3	
24	SA5560001	1	夹轴承受板	CLAMP SHAFT HOLDER	
25	062400816	2	螺钉 M4X8	SCREW PAN M4X8	
26	SA6733001	1	支点轴 J	CLAMP FULCRUM SHAFT J	
27	048060142	2	轴用挡圈 C6	RETAINING RING EXTERNAL C6	
28	SA5585101	1	夹杆 R	CLAMP LEVER R	
29	018501436	1	螺栓 M5X12	BOLT SOCKET M5X12	
30	SA6734101	1	夹臂 R-J	CLAMP ARM R-J	
31	014400532	2	螺钉 M4X5	SET SCREW SOCKET (CP) M4X5	
32	SA7550001	1	布挡板 R	CLOTH GUIDE R	
33	S35326101	1	螺钉 M3.5	SCREW M3.5	
34	SA6735001	1	辅助压杆臂	AUX CLAMP ARM	
35	048060142	1	轴用挡圈 C6	RETAINING RING EXTERNAL C6	
36	SA9131001	1	辅助压杆组件	AUX CLAMP ASSY	
37	018401036	1	螺栓 M4X10	BOLT SOCKET M4X10	
38	S05356000	1	扣夹 A	BUTTON CLAMP, A	
39	SA6737001	1	回复弹簧	SPRING	
41	S35315001	1	角块	OPENING SLIDE BLOCK	
42	S35316001	1	角块支撑板	SLIDE BLOCK SUPPORT PLATE	
43	060020416	2	螺钉 M2X4	SCREW BIND M2X4	
44	S06696004	2	螺钉 M3X6	SCREW, FLAT M3X6	
45	S35236000	1	垫圈 3.2	WASHER, BENDING 3.2	
46	S35235001	1	支架销	SUPPORT PIN, CLAMP	
47	021300306	1	螺母 M3	NUT 3 M3	
48	SA5560001	1	夹轴承受板	CLAMP SHAFT HOLDER	
49	062400816	2	螺钉 M4X8	SCREW PAN M4X8	
50	SA5674001	1	支点轴	CLAMP FULCRUM SHAFT	
51	048060142	2	轴用挡圈 C6	RETAINING RING EXTERNAL C6	
52	SA5671101	1	夹杆 L	CLAMP LEVER L	
53	018501436	1	螺栓 M5X12	BOLT SOCKET M5X12	
54	SA6743101	1	夹臂 L-J	CLAMP ARM L-J	
55	014400532	2	螺钉 M4X5	SET SCREW SOCKET (CP) M4X5	
56	SA7551001	1	布挡板 L	CLOTH GUIDE L	
57	S35326101	1	螺钉 M3.5	SCREW M3.5	
			<b>&lt;选购件&gt;</b>	<b>&lt;Option parts&gt;</b>	
58	SA9132001	1	辅助压杆组件 L	AUX CLAMP L ASSY	

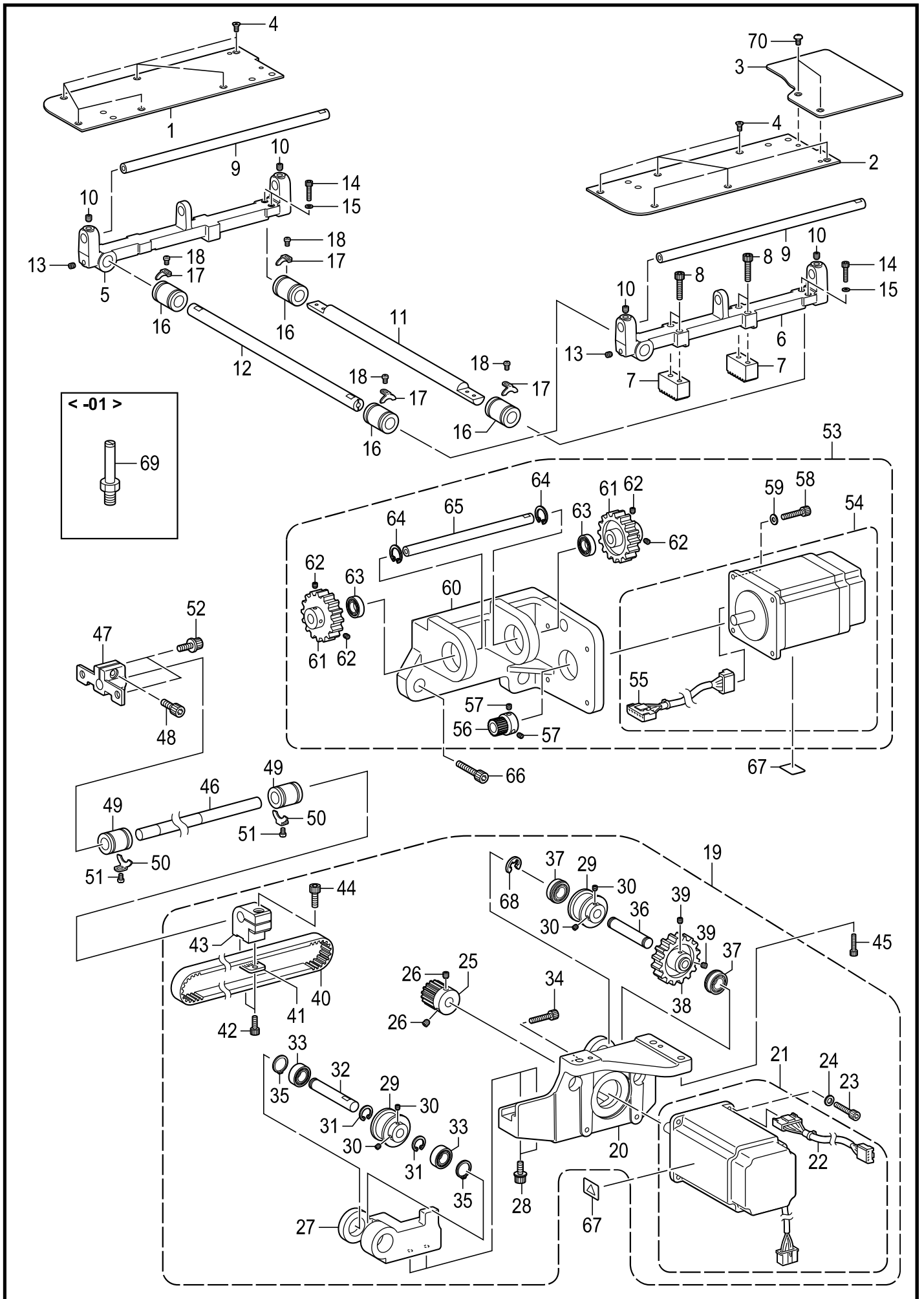
G. 送布装置 / Feed mechanism



G. 送布装置 / Feed mechanism

参照号	零部件序号	数量	零部件名称	NAME OF PARTS	RM
1	SA6744001	1	送料台盖 L	FEED BAR COVER L	
2	SA6745001	1	送料台盖 R	FEED BAR COVER R	
3	SA8121001	1	送料台盖组件 U	FEED BAR COVER U ASSY	
4	004401003	12	螺钉 M4X10	SCREW, FLAT M4X10	
5	SA6747001	1	X送布轴架 S	X FEED SHAFT HOLDER S	
6	SA6748101	1	X送布轴架 N	X FEED SHAFT HOLDER N	
7	SA6749001	2	X齿条	X RACK	
8	018501636	4	螺栓 M5X16	BOLT SOCKET M5X16	
9	SA6750001	2	Y送布导向轴	Y FEED GUIDE SHAFT	
10	012060636	4	螺钉 M6X6	SET SCREW SOCKET (FT) M6X6	
11	SA6751101	1	X送布导向轴 A	X FEED GUIDE SHAFT A	
12	SA6752101	1	X送布导向轴 B	X FEED GUIDE SHAFT B	
13	012060636	2	螺钉 M6X6	SET SCREW SOCKET (FT) M6X6	
14	018401636	4	螺栓 M4X16	BOLT SOCKET M4X16	
15	025040136	4	平垫圈 S4	WASHER PLAIN S 4	
16	S35183000	4	直线形轴套 12	LINEAR BUSH, 12	
17	SA5562001	4	定位板	BALL BEARING STOPPER	
18	062300416	4	螺钉 M3X4	SCREW PAN M3X4	
19	SA6753201	1	Y送料组件	Y FEED ASSY	
20	SA6754001	1	Y送布基座	Y FEED BASE	
21	SA6521001	1	脉冲马达组件 Y	PULSE MOTOR ASSY Y	
22	SA6522001	1	马达接线 Y	MOTOR HARNESS Y	
23	018401436	4	螺栓 M4X14	BOLT SOCKET M4X14	
24	026040136	4	平垫圈 S4	WASHER PLAIN S 4	
25	SA6755001	1	驱动齿轮 20	DRIVING GEAR 20	
26	012060636	2	螺钉 M6X6	SET SCREW SOCKET (FT) M6X6	
27	SA6756001	1	Y轮基座	Y PULLEY SUPPORT	
28	3A6001001	2	螺栓(带垫圈) M5X20	BOLT SOCKET (S/P WASHER) M5X20	
29	SA6757201	2	Y同步轮组件	Y TIMING PULLEY ASSY	
30	012060636	4	螺钉 M6X6	SET SCREW SOCKET (FT) M6X6	
31	048160242	2	轴用挡圈 C16	RETAINING RING INTERNAL C16	
32	SA6760001	1	Y手轮轴 R	Y PULLEY SHAFT R	
33	530138001	2	微轴承 8	BALL BEARING MICRO 8	
34	018502536	1	螺栓 M5X25	BOLT SOCKET M5X25	
35	048080142	2	轴用挡圈 C8	RETAINING RING EXTERNAL C8	
36	SA6761001	1	Y手轮轴 F	Y PULLEY SHAFT F	
37	070688850	2	R球轴承 688ZZ	BALL BEARING RADIAL 688ZZ	
38	SA6762001	1	空转齿轮 40	IDLER GEAR 40	
39	012060636	2	螺钉 M6X6	SET SCREW SOCKET (FT) M6X6	
40	SA6763001	1	T皮带 320-5GT	T BELT 320-5GT	
41	SA7566001	1	皮带支板	BELT HOLDER	
42	018400836	2	螺栓 M4X8	BOLT SOCKET M4X8	
43	SA6765201	1	Y驱动轴支架	Y DRIVING SHAFT HOLDER	
44	018501636	1	螺栓 M5X16	BOLT SOCKET M5X16	
45	018061636	3	螺栓 M6X16	BOLT SOCKET M6X16	
46	SA6766001	1	Y轴	Y SHAFT	
47	SA6767001	1	Y轴支架	Y SHAFT HOLDER	
48	018501436	1	螺栓 M5X14	BOLT SOCKET M5X14	
49	S12004000	2	线性轴套	LINEAR BUSH	
50	SA5562001	2	定位板	BALL BEARING STOPPER	
51	062300416	2	螺钉 M3X4	SCREW PAN M3X4	
52	S55476001	2	螺栓(带垫圈) M6X12	BOLT SOCKET (S/P WASHER)M6X12	
53	SA6768001	1	X送料组件	X FEED ASSY	
54	SA6517001	1	脉冲马达组件 X	PULSE MOTOR ASSY X	
55	SA6518001	1	马达接线 X	MOTOR HARNESS X	
56	SA4197001	1	送料齿轮	FEED GEAR	
57	012060636	2	螺钉 M6X6	SET SCREW SOCKET (FT) M6X6	
58	018401436	4	螺栓 M4X14	BOLT SOCKET M4X14	
59	026040136	4	平垫圈 S4	WASHER PLAIN S 4	
60	SA6769001	1	X马达支座	X MOTOR SUPPORT	
61	SA6770001	2	空转齿轮	IDLER GEAR	
62	012060636	4	螺钉 M6X6	SET SCREW SOCKET (FT) M6X6	
63	SA6771001	2	轴承 6001ZZ	BALL BEARING 6001ZZ	

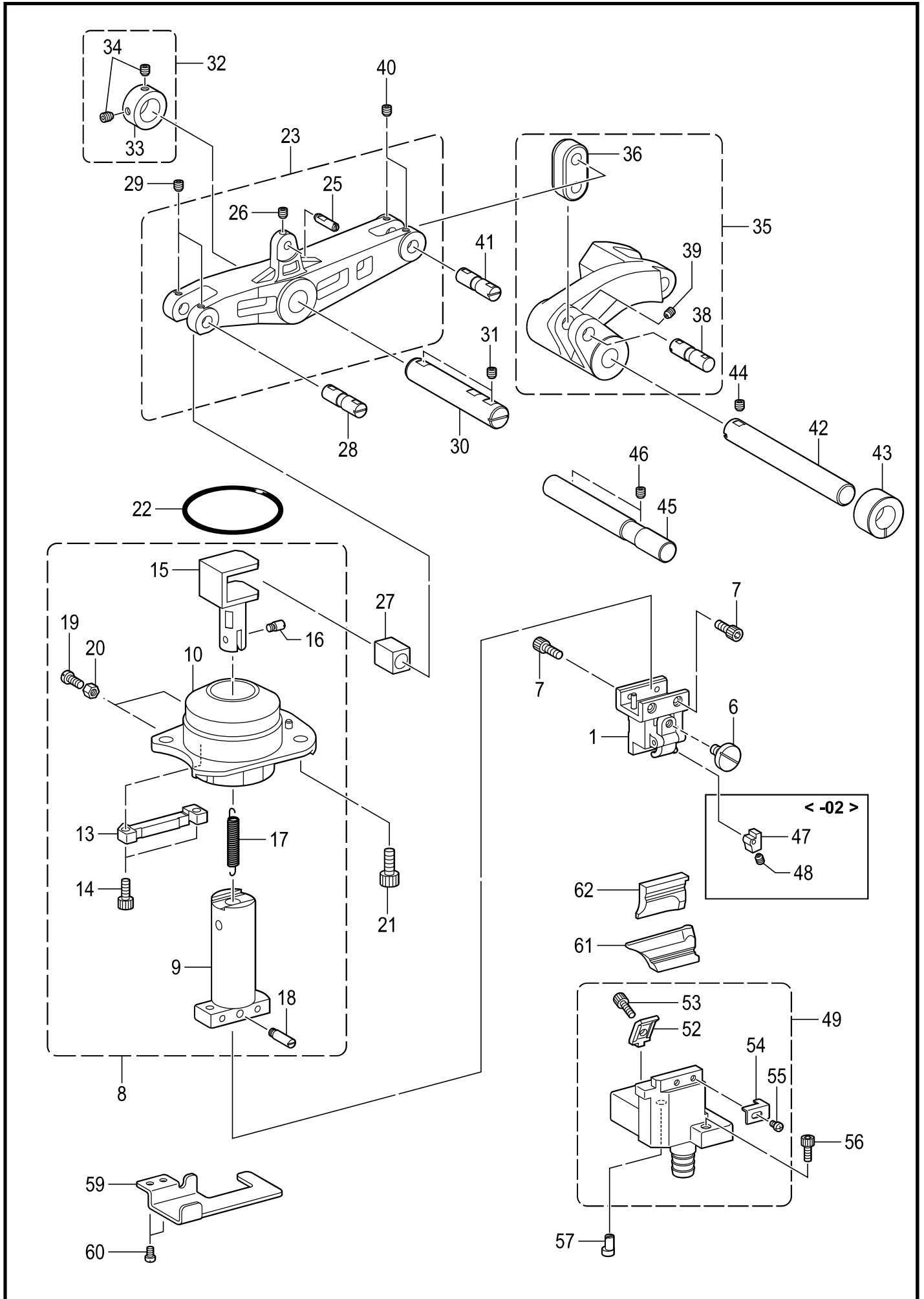
G. 送布装置 / Feed mechanism



## G. 送布装置 / Feed mechanism

参照号	零部件序号	数量	零部件名称	NAME OF PARTS	RM
64	048280242	2	孔用挡圈 C28	RETAINING RING INTERNAL C28	
65	SA6772001	1	X空转齿轮轴	X IDLER GEAR SHAFT	
66	018061636	3	螺栓 M6X16	BOLT SOCKET M6X16	
67	J03663001	2	高温标签 13X20	LABEL, HIGH TEMP. 13X20	
68	048060342	1	挡圈 E6	RETAINING RING E6	
70	008401204	2	螺钉 M4X12	SCREW TRUSS M4X12	
69	SA5584001	1	<用于-01> 气缸螺栓	<For -01> CYLINDER SCREW	

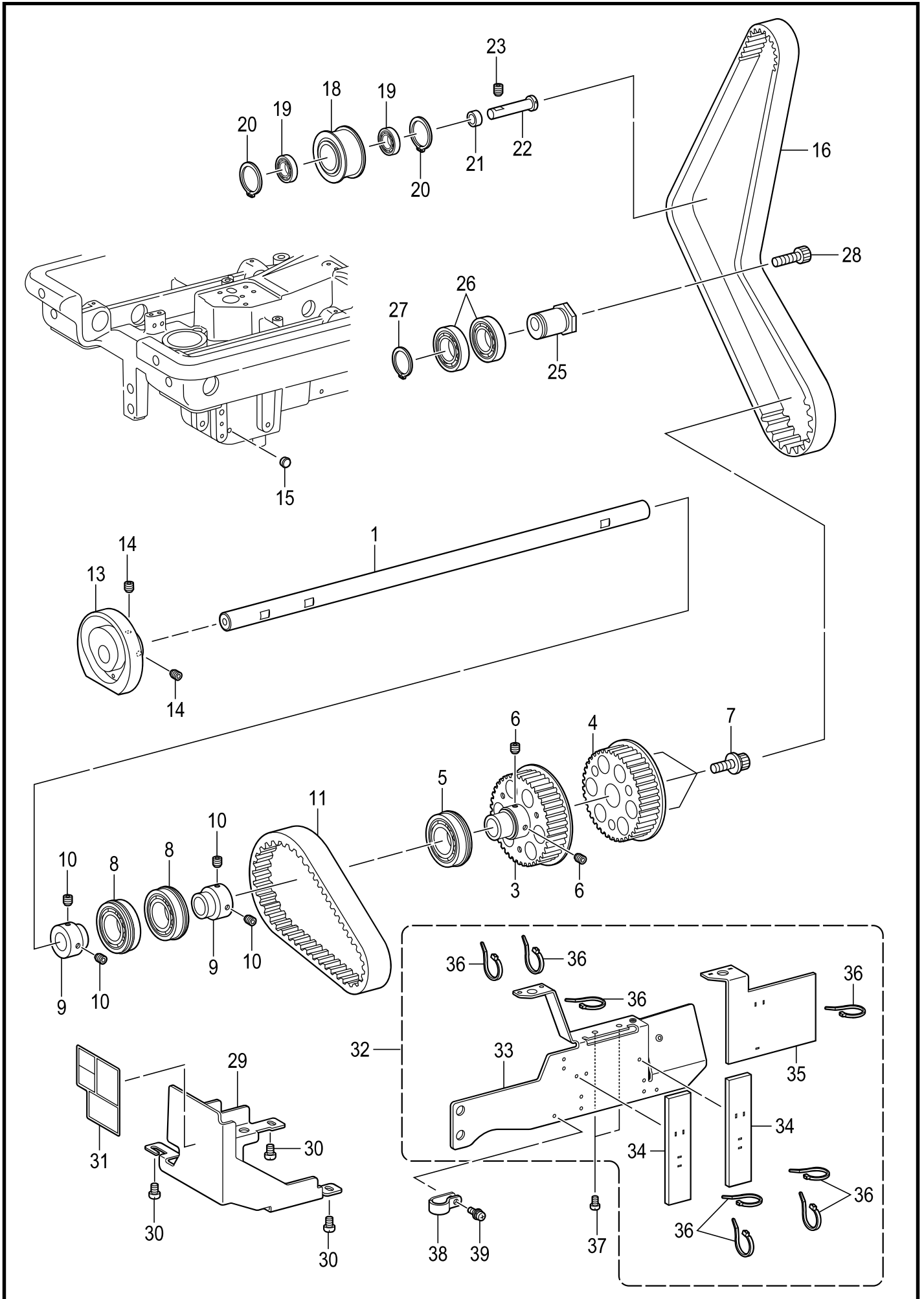
H. 切刀装置 / Cutter mechanism



## H. 切刀装置 / Cutter mechanism

参照号	零部件序号	数量	零部件名称	NAME OF PARTS	RM
1	SA6773401	1	气锤基座组件	HAMMER BRACKET ASSY	
6	S35091201	1	螺栓 M5	KNOB SCREW M5	
7	018401036	4	螺栓 M4X10	BOLT SOCKET M4X10	
8	SA6776301	1	切刀动作轴组件	CUTTER DRIVING SHAFT ASSY	
9	SA6777001	1	切刀动作轴	CUTTER DRIVING SHAFT	
10	SA6778301	1	切刀轴套组件	BUSH C-SHAFT ASSY	
13	SA6781001	1	回转制动	GUIDE BLOCK	
14	018401236	2	螺栓 M4X12	BOLT SOCKET M4X12	
15	SA6782001	1	切刀轴压杆	DRIVING SHAFT PRESSER	
16	SA6783001	1	弹簧挂钩 U	SPRING HOOK PIN U	
17	SA6784001	1	弹簧	SPRING EXTENSION	
18	SA6785001	1	弹簧挂钩 D	SPRING HOOK PIN D	
19	SA6786001	2	螺钉 4	BOLT 4	
20	021400206	2	六角螺母 M4	NUT 2 M4	
21	018061236	3	螺栓 M6X12	BOLT SOCKET M6X12	
22	081050870	1	O形圈 S50	O RING S50	
23	SA6787001	1	切刀臂组件	CUTTER ARM ASSY	
25	SA6789001	1	切刀销	C-SENSOR PIN	
26	012500536	1	螺钉 M5X5	SET SCREW SOCKET (FT) M5X5	
27	SA6790001	1	切刀臂滑块	C-ARM SLIDE BLOCK	
28	SA5563001	1	切刀臂销	C-ARM PIN	
29	014060836	2	固定螺钉 M6X8	SET SCREW SOCKET (CP) M6X8	
30	SA6791001	1	切刀臂轴	C-ARM SHAFT	
31	012061036	2	螺钉 M6X10	SET SCREW SOCKET (FT) M6X10	
32	SA6792001	1	紧圈组件	SET SCREW COLLAR ASSY	
33	SA6793001	1	紧圈	SET SCREW COLLAR	
34	014060836	2	固定螺钉 M6X8	SET SCREW SOCKET (CP) M6X8	
35	SA6794001	1	切刀杆组件	CUTTER LEVER ASSY	
36	SA6795001	1	切刀连接杆	CUTTER LINK	
38	SA5563001	1	切刀臂销	C-ARM PIN	
39	014500836	2	螺钉 M5X8	SET SCREW SOCKET (CP) M5X8	
40	014060836	2	固定螺钉 M6X8	SET SCREW SOCKET (CP) M6X8	
41	SA5563001	1	切刀臂销	C-ARM PIN	
42	SA6797001	1	切刀杆轴	CUTTER LEVER SHAFT	
43	SA6798001	1	切刀杆轴套	BUSH C-LEVER SHAFT	
44	012061036	1	螺钉 M6X10	SET SCREW SOCKET (FT) M6X10	
45	SA6799001	1	气缸支撑轴	CYLINDER SUPPORT SHAFT	
46	014060836	2	固定螺钉 M6X8	SET SCREW SOCKET (CP) M6X8	
			<用于 -02>	<For -02>	
47	SA6800001	1	气锤垫块	HAMMER SPACER	
48	014400536	1	螺钉 M4X5	SET SCREW SOCKET(CP) M4X5	
49	SA9255001	1	切刀基座接头组件	KNIFE BRACKET JOINT ASSY	
52	S35097201	1	切刀基座架	KNIFE BLOCK HOLDER	
53	018501636	1	螺栓 M5X16	BOLT SOCKET M5X16	
54	S35098000	1	基座定位板	BLOCK STOPPER PLATE	
55	062300416	1	螺钉 M3X4	SCREW PAN M3X4	
56	018501636	3	螺栓 M5X16	BOLT SOCKET M5X16	
57	SA6804001	1	偏心销	ECCENTRIC PIN	
59	SA6985101	1	管夹板	TUBE GUIDE	
60	062400816	1	螺钉 M4X8	SCREW PAN M4X8	
61	SA6806101	1	切刀 2.8X4.3-42	KNIFE 2.8X4.3-42	
62	* P. 114	1	气锤	HAMMER	

J. 下轴装置 / Lower shaft mechanism

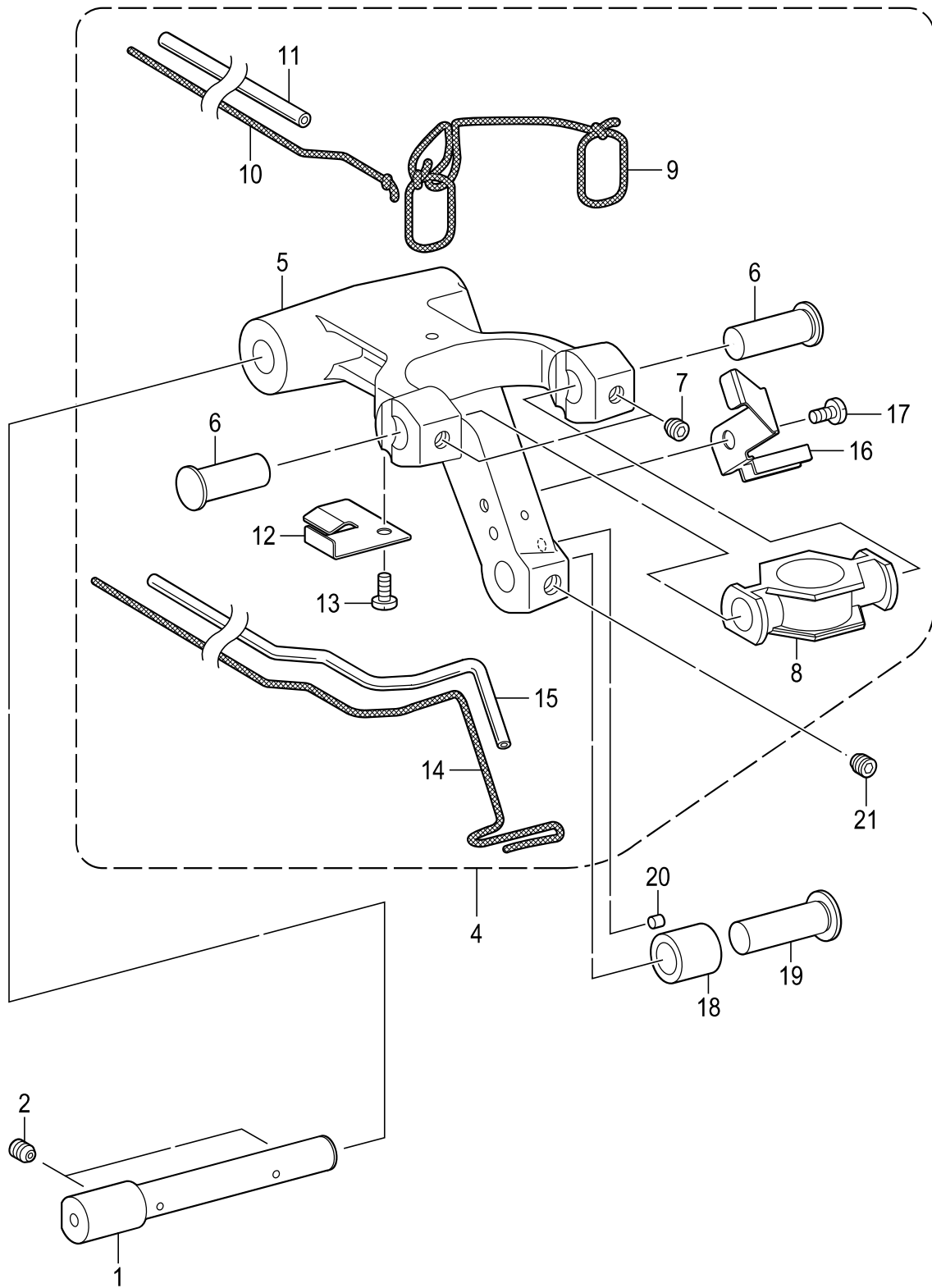




J. 下轴装置 / Lower shaft mechanism

参照号	零部件序号	数量	零部件名称	NAME OF PARTS	RM
1	SA6807001	1	下轴	LOWER SHAFT	
3	SA6809001	1	下轴T手轮 A	LOWER SHAFT TENSION PULLEY A	
4	SA6810001	1	下轴T手轮 B	LOWER SHAFT TENSION PULLEY B	
5	SA5571001	1	轴承 6004ZZNR	BALL BEARING 6004ZZNR	
6	S23651001	2	固定螺钉 M6X6	SET SCREW SOCKET (FT) M6X6	
7	S47270001	3	螺栓(带垫圈) M6X30	BOLT SOCKET (S/P WASHER)M6X30	
8	SA5573001	2	轴承 6204ZZNR	BALL BEARING 6204ZZNR	
9	SA5564001	2	轴承管套	BEARING COLLAR	
10	S23651001	4	固定螺钉 M6X6	SET SCREW SOCKET (FT) M6X6	
11	SA6812001	1	T皮带 375-5GT	T BELT 375-5GT	
13	SA6814001	1	下轴凸轮	LOWER SHAFT CAM	
14	S23651001	2	固定螺钉 M6X6	SET SCREW SOCKET (FT) M6X6	
15	104833001	1	橡皮塞 4.3	RUBBER CAP, 4.3	
16	SA6815001	1	T皮带 1115-5GT	T BELT 1115-5GT	
18	SA6817001	1	空转轮组件	IDLER PULLEY ASSY	
19	SA5570001	2	轴承 608ZZ	BALL BEARING 608ZZ	
20	048220242	2	孔用挡圈 C22	RETAINING RING INTERNAL C22	
21	S50168001	1	惰轮管套	COLLAR	
22	SA6819001	1	空转轮轴	IDLER PULLEY SHAFT	
23	012061036	1	螺钉 M6X10	SET SCREW SOCKET (FT) M6X10	
25	SA6821001	1	张力轮套	TENSION PULLEY COLLAR	
26	SA5572001	2	轴承 6004ZZ	BALL BEARING 6004ZZ	
27	048200142	1	轴用挡圈 C20	RETAINING RING EXTERNAL C20	
28	018084036	1	螺栓 M8X40	BOLT SOCKET M8X40	
29	SA6822001	1	凸轮盖	CAM COVER	
30	062500816	3	螺钉 M5X8	SCREW PAN M5X8	
31	SA6823001	1	底线穿线表	LOWER THREADER LABEL	
32	SA6824001	1	下轴盖组件	LOWER SHAFT COVER ASSY	
33	SA6825001	1	下轴盖	LOWER SHAFT COVER	
34	SA6826001	2	下轴盖油毡 A	LOWER SHAFT COVER FELT A	
35	SA6827001	1	下轴盖油毡 B	LOWER SHAFT COVER FELT B	
36	228475000	8	电线夹 1.9X80	FASTENING BAND 1.9X80	
37	062400816	2	螺钉 M4X8	SCREW PAN M4X8	
38	S10243000	1	尼龙夹 NK-3N	CORD HOLDER, NK-3N	
39	0A5400806	1	螺栓(带垫圈) M4X8DB	SCREW PAN (S/P WASHER) M4X8	

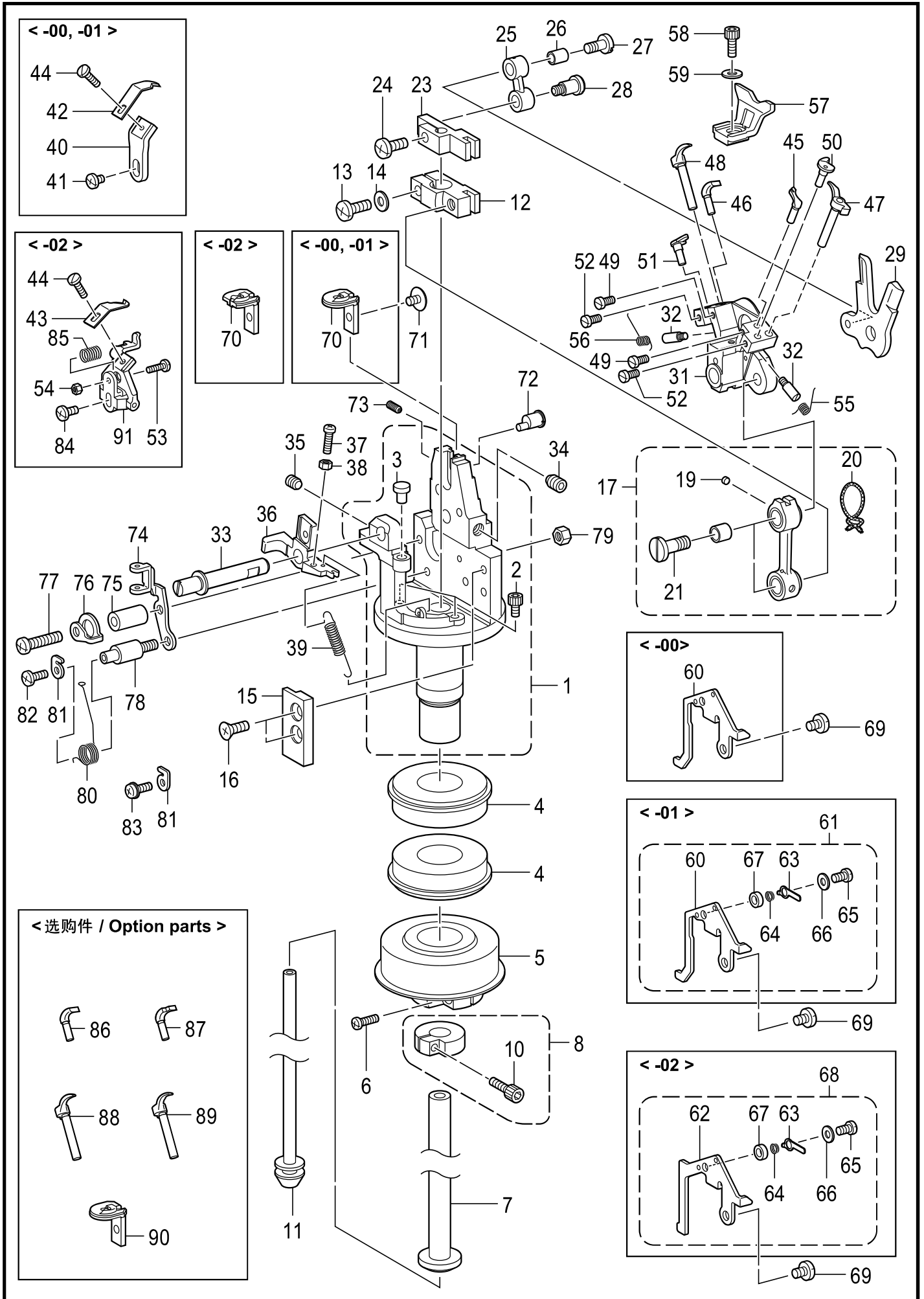
K. 弯针装置 / Looper mechanism



## K. 弯针装置 / Looper mechanism

参照号	零部件序号	数量	零部件名称	NAME OF PARTS	RM
1	SA6828001	1	弯针杆轴	LOOPER LEVER SHAFT	
2	014500836	2	螺钉 M5X8	SET SCREW SOCKET (CP) M5X8	
4	SA6829001	1	弯针杆组件	LOOPER LEVER ASSY	
5	SA6830001	1	弯针杆	LOOPER LEVER	
6	SA6831001	2	短轴 6.35	SHAFT 6.35	
7	012500536	2	螺钉 M5X5	SET SCREW SOCKET (FT) M5X5	
8	SA6834001	1	弯针作动台	LOOPER DRIVING PLATE	
9	SA6835001	1	油线 2X2	WICK 2X2	
10	SA6836001	1	油线 2X2	WICK 2X2	
11	SA5565001	1	油管	OIL TUBE	
12	SA6837001	1	油管夹 A	LOOPER TUBE CLAMP A	
13	060300816	1	螺钉 M3X8	SCREW BIND M3X8	
14	SA6838001	1	油线 3X3	WICK 3X3	
15	SA6839001	1	油管	OIL TUBE	
16	SA6840001	1	油管夹 B	LOOPER TUBE CLAMP B	
17	060300816	1	螺钉 M3X8	SCREW BIND M3X8	
18	SA6832101	1	下轴凸轮管套	LOWER SHAFT CAM COLLAR	
19	SA6833001	1	弯针凸轮滚轮轴	LOOPER CAM ROLLER SHAFT	
20	S12718000	1	毡	CHEMICAL FELT	
21	014060632	1	固定螺钉 M6X6	SET SCREW SOCKET (CP) M6X6	

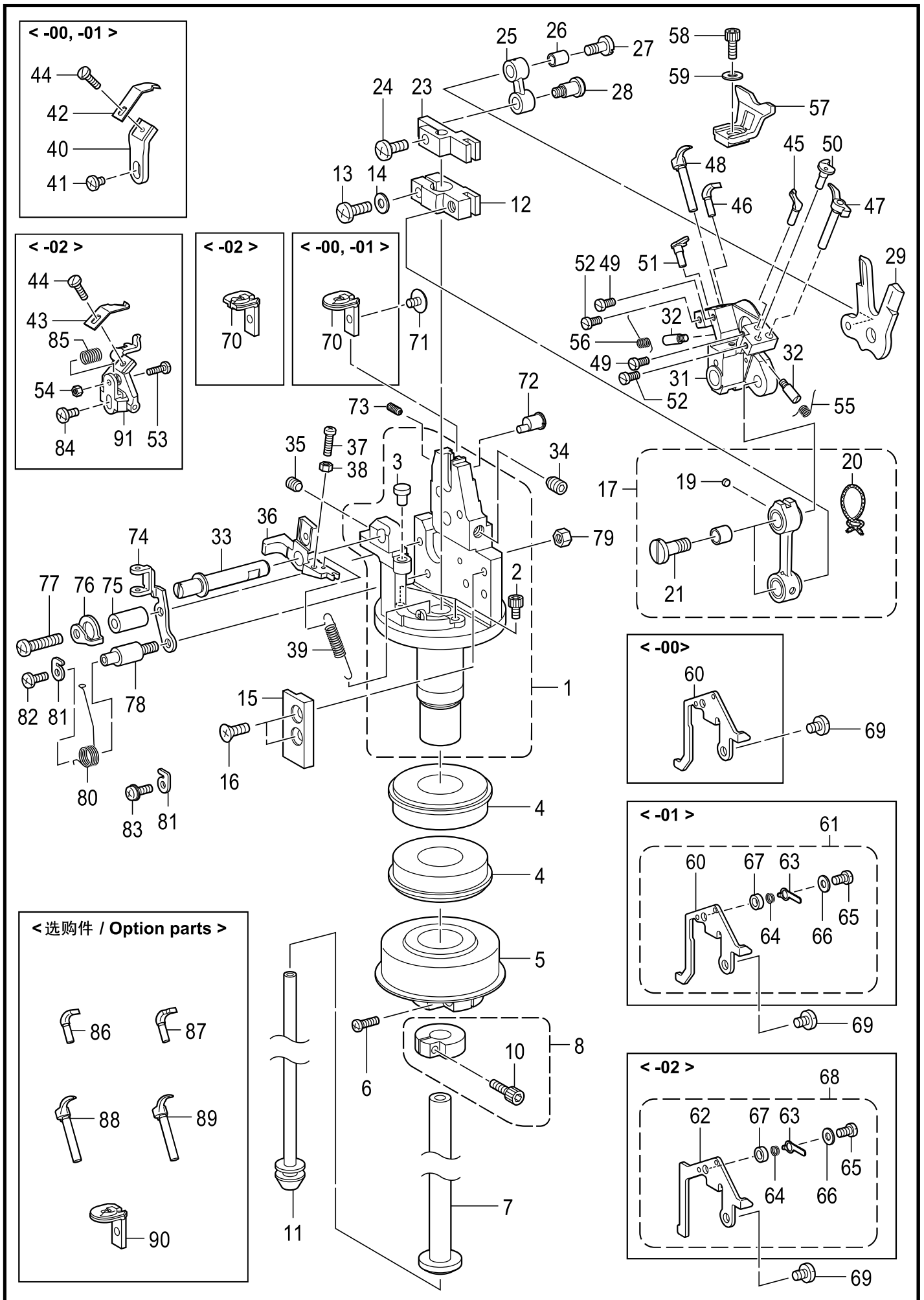
L. 双链式弯针装置 / Double chain stitch looper mechanism



L. 双链式弯针装置 / Double chain stitch looper mechanism

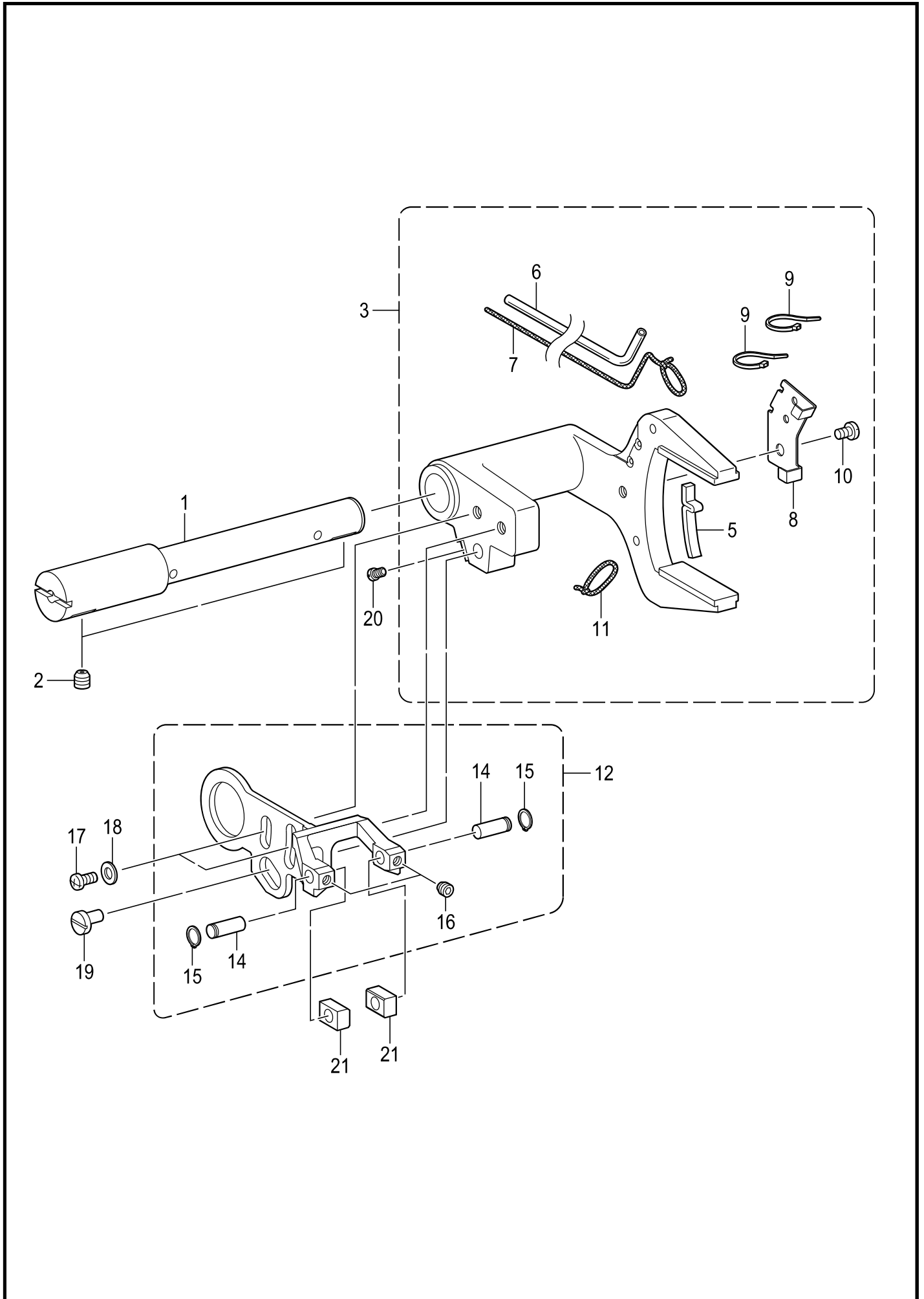
参照号	零部件序号	数量	零部件名称	NAME OF PARTS	RM
1	SA6841101	1	弯针座组件	LOOPER BASE ASSY	
2	018400636	2	螺栓 M4X6	BOLT SOCKET M4X6	
3	SA6844001	1	定位销 4	INPUT PIN 4	
4	SA5571001	2	轴承 6004ZZNR	BALL BEARING 6004ZZNR	
5	SA6845001	1	弯针轮组件	LOOPER PULLEY ASSY	
6	062351615	1	螺钉 M3.5X16	SCREW PAN M3.5X16	
7	SA6848001	1	弯针驱动轴	LOOPER DRIVING SHAFT	
8	SA6849001	1	弯针驱动轴抱箍组件	LOOPER DRIVING SHAFT ASSY	
10	018301436	1	螺栓 M3X14	BOLT SOCKET M3X14	
11	SA6851001	1	叉板连杆轴	SPREADER LINK SHAFT	
12	SA6852001	1	弯针连杆支点	LOOPER LINK CLAMP	
13	060401416	1	螺钉 M4X14	SCREW BIND M4X14	
14	026040136	1	平垫圈 S4	WASHER PLAIN S 4	
15	SA6853001	1	LS滑块导向	LS SLIDE GUIDE	
16	004401003	2	螺钉 M4X10	SCREW, FLAT M4X10	
17	SA7204101	1	弯针连杆总组件	LOOPER LINK UNIT	
19	S52832000	1	油毡	FELT	
20	SA6857001	1	油线 2X2	WICK 2X2	
21	SA6858001	2	固定螺栓	LOOPER LINK FASTENING SCREW	
23	SA6859001	1	叉板连杆基座	SPREADER LINK BASE	
24	060401016	1	螺钉 M4X10	SCREW BIND M4X10	
25	SA6860001	1	叉板凸轮连杆	SPREADER CAM LINK	
26	S35018001	1	凸轮连杆管套	CAM LINK COLLAR	
27	S35014001	1	轴位螺钉 M4	SHOULDER SCREW, M4	
28	S35019001	1	轴位螺钉 M4	SHOULDER SCREW, M4	
29	SA6861001	1	叉板作动凸轮	SPREADER DRIVING CAM	
31	SA6863001	1	LS支撑基座	LS HOLDER BASE	
32	SA6864001	2	弹簧导向螺钉	SPRING GUIDE SCREW	
33	SA6865001	1	支撑短轴	HOLDER PRESSER SHAFT	
34	014060836	1	固定螺钉 M6X8	SET SCREW SOCKET (CP) M6X8	
35	012500536	1	螺钉 M5X5	SET SCREW SOCKET (FT) M5X5	
36	SA6866001	1	切线杆基座	THREAD TRIMMER LEVER BRACKET	
37	062301016	1	螺钉 M3X10	SCREW PAN M3X10	
38	021300306	1	螺母 M3	NUT 3 M3	
39	SA6867001	1	U切线弹簧	U THREAD TRIMMER SPRING	
			<用于-00和-01>	<For -00 and -01>	
40	SA7064001	1	上动刀台	UPPER MOVABLE KNIFE	
41	060300416	1	螺钉 M3X4	SCREW BIND M3X4	
42	S35029001	1	上动刀 A	UPPER MOVABLE KNIFE, A	
			<用于-02>	<For -02>	
43	S37723101	1	上动刀 B	UPPER MOVABLE KNIFE, B	
44	105288001	1	螺钉 SM2.38	SCREW SM2.38	
45	S35410001	1	弯针 R	LOOPER, R	
46	SA7547101	1	有孔弯针	EYE LOOPER	
47	S35412101	1	右叉板 R	SPREADER, R	
48	S35413101	1	左叉板 L	SPREADER, L	
49	S35032101	2	螺钉 M2.6X5.5	SCREW, M2.6X5.5	
50	S35034001	1	叉板定位 R	SPREADER STOPPER, R	
51	S35033001	1	叉板定位 L	SPREADER STOPPER, L	
52	S35032101	2	螺钉 M2.6X5.5	SCREW, M2.6X5.5	
			<用于-02>	<For -02>	
53	S37724001	1	螺钉 SM2.38	SCREW, SM2.38	
54	S47932001	1	螺母 SM2.38-56	NUT, SM2.38-56	

L . 双链式弯针装置 / Double chain stitch looper mechanism



## L. 双链式弯针装置 / Double chain stitch looper mechanism

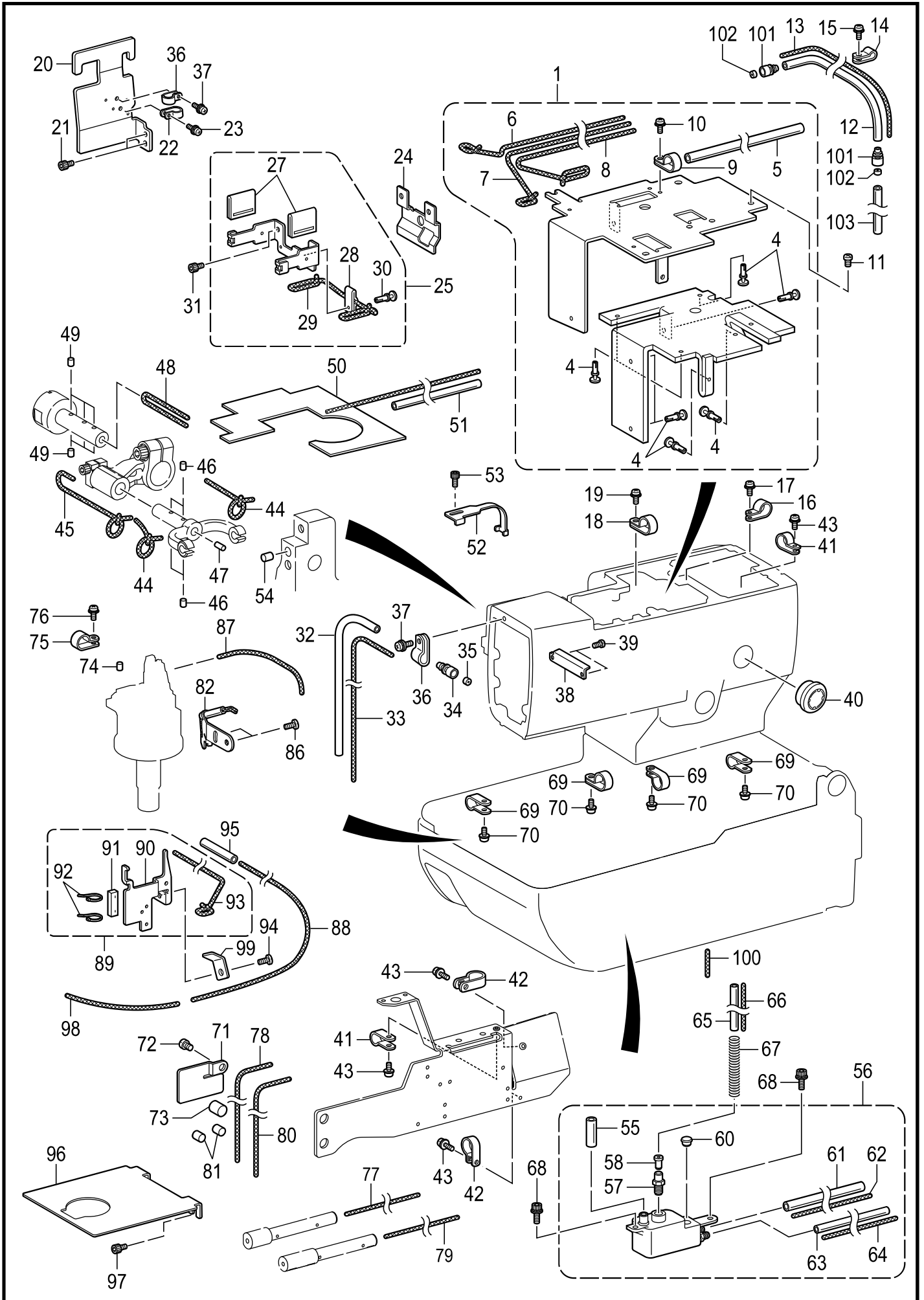
参照号	零部件序号	数量	零部件名称	NAME OF PARTS	RM
55	S35035101	1	叉板弹簧 R	SPRING, TWIST :R	
56	S35036101	1	叉板弹簧 L	SPRING, TWIST :L	
57	SA6872001	1	护针 U	NEEDLE GUARD U	
58	018300836	1	螺栓 M3X8	BOLT SOCKET M3X8	
59	025030136	1	平垫圈 S3	WASHER PLAIN S 3	
			<用于 -00>	<For -00>	
60	SA7063001	1	芯线导向 C	GIMP THREAD GUIDE C	
			<用于 -01>	<For -01>	
61	SA7578001	1	芯线导向组件 C	GIMP THREAD GUIDE C ASSY	
60	SA7063001	1	芯线导向 C	GIMP THREAD GUIDE C	
63	SA7613001	1	芯线压板	GIMP THREAD CLAMP PLATE	
64	SA7614001	1	芯线调节弹簧	GIMP THREAD TENSION SPRING	
65	062300506	1	螺钉 M3X5	SCREW PAN M3X5	
66	025030236	1	平垫圈 M3	WASHER PLAIN M 3	
67	SA7615001	1	管套 3	COLLAR 3	
			<用于 -02>	<For -02>	
68	SA6873001	1	芯线导向组件 C-J	GIMP THREAD GUIDE C-J ASSY	
62	SA6874001	1	芯线导向 C-J	GIMP THREAD GUIDE C-J	
63	SA7613001	1	芯线压板	GIMP THREAD CLAMP PLATE	
64	SA7614001	1	芯线调节弹簧	GIMP THREAD TENSION SPRING	
65	062300506	1	螺钉 M3X5	SCREW PAN M3X5	
66	025030236	1	平垫圈 M3	WASHER PLAIN M 3	
67	SA7615001	1	管套 3	COLLAR 3	
69	060400516	1	螺钉 M4X5	SCREW BIND M4X5	
			<用于 -00 和 -01>	<For -00 and -01>	
70	SA7065001	1	针孔板 1.6	THROAT PLATE 1.6	
			<用于 -02>	<For -02>	
70	S37752001	1	针孔板 1.8-J	THROAT PLATE, 1.8-J	
71	S35326101	1	螺钉 M3.5	SCREW M3.5	
72	SA6875001	1	销	VERTICAL PIN	
73	014300832	1	螺钉 M3X8	SET SCREW SOCKET (CP) M3X8	
74	SA6876001	1	底线导线板	THREAD GUIDE PLATE	
75	SA6877001	1	管套	COLLAR	
76	SA6878001	1	L夹线弹簧导向	L TR TAKE-UP SPRING SUPPORT	
77	062402016	1	螺钉 M4X20	SCREW PAN M4X20	
78	SA6879001	1	弹簧导向轴	SPRING GUIDE SHAFT	
79	021400316	1	六角螺母 M4	NUT 3 M4	
80	SA6880001	1	夹线弹簧	THREAD TAKE-UP SPRING	
81	SA6881001	2	L夹线弹簧支撑	L TR TAKE-UP SPRING SUPPORT	
82	060300816	1	螺钉 M3X8	SCREW BIND M3X8	
83	0A4300805	1	螺栓(带垫圈) M3X8DA	SCREW PAN (S/P WASHER) M3X8	
			<用于 -02>	<For -02>	
84	060300816	1	螺钉 M3X8	SCREW BIND M3X8	
85	S37725001	1	底线压簧	COMPRESSION SPRING	
91	SA6868201	1	底线压板组件 J	LOWER THREAD PRESSER J ASSY	
			<选购件>	<Option parts>	
86	SA7634101	1	有孔弯针 B	EYE LOOPER, B	
87	S49078001	1	弯针 L-S	LOOPER, L-S	
88	S35472101	1	叉板 LB	SPREADER, LB	
89	S49079001	1	叉板 L-S	SPREADER, L-S	
90	SA7546001	1	针孔板 1.1	THROAT PLATE, 1.1	





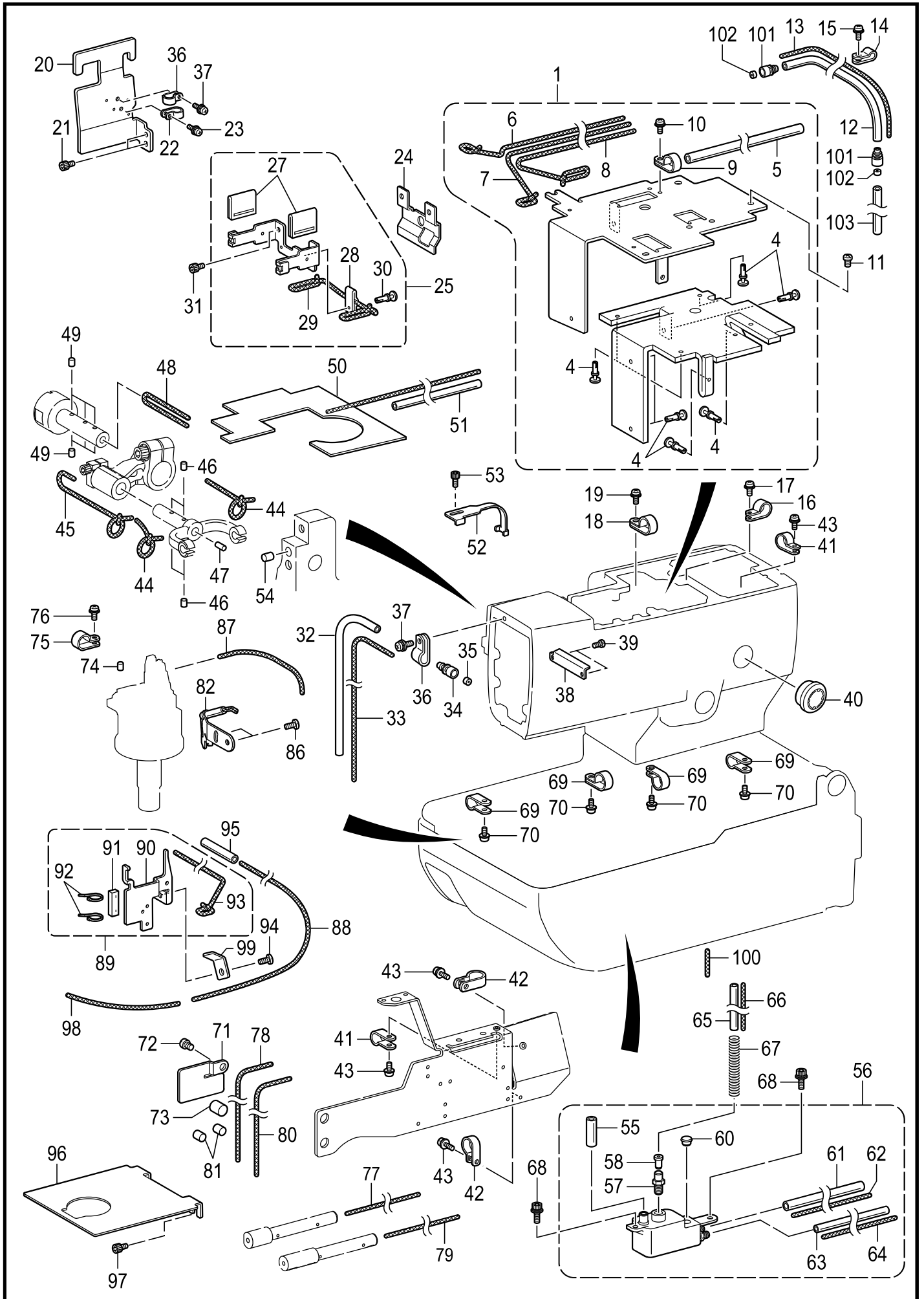
## M. 分纱装置 / Spreader mechanism

参照号	零部件序号	数量	零部件名称	NAME OF PARTS	RM
1	SA6882101	1	叉板杆轴	SPREADER LEVER SHAFT	
2	014500836	2	螺钉 M5X8	SET SCREW SOCKET (CP) M5X8	
3	SA6883101	1	叉板杆组件 A	SPREADER LEVER A ASSY	
5	SA6885001	1	油毡	SPREADER LEVER FELT	
6	SA5565001	1	油管	OIL TUBE	
7	SA6886001	1	油线 2X2	WICK 2X2	
8	SA6887001	1	油管压板	SPREADER TUBE CLAMP	
9	228475000	2	电线夹 1.9X80	FASTENING BAND 1.9X80	
10	060400516	1	螺钉 M4X5	SCREW BIND M4X5	
11	SA8001001	1	油线 2X2	WICK 2X2	
12	SA6888001	1	叉板杆组件 B	SPREADER LEVER B ASSY	
14	SA6890001	2	轴 6X15.5	SHAFT 6X15.5	
15	048060142	2	轴用挡圈 C6	RETAINING RING EXTERNAL C6	
16	012500536	2	螺钉 M5X5	SET SCREW SOCKET (FT) M5X5	
17	062400816	2	螺钉 M4X8	SCREW PAN M4X8	
18	025040236	2	平垫圈 M4	WASHER PLAIN M 4	
19	SA6891001	1	偏心销	ECCENTRIC PIN	
20	S25279101	1	螺钉 M3.5-5	SET SCREW (CP) M3.5-5	
21	SA6892001	2	角块 6X8	SLIDE BLOCK 6X8	



N. 供油润滑装置 / Lubrication

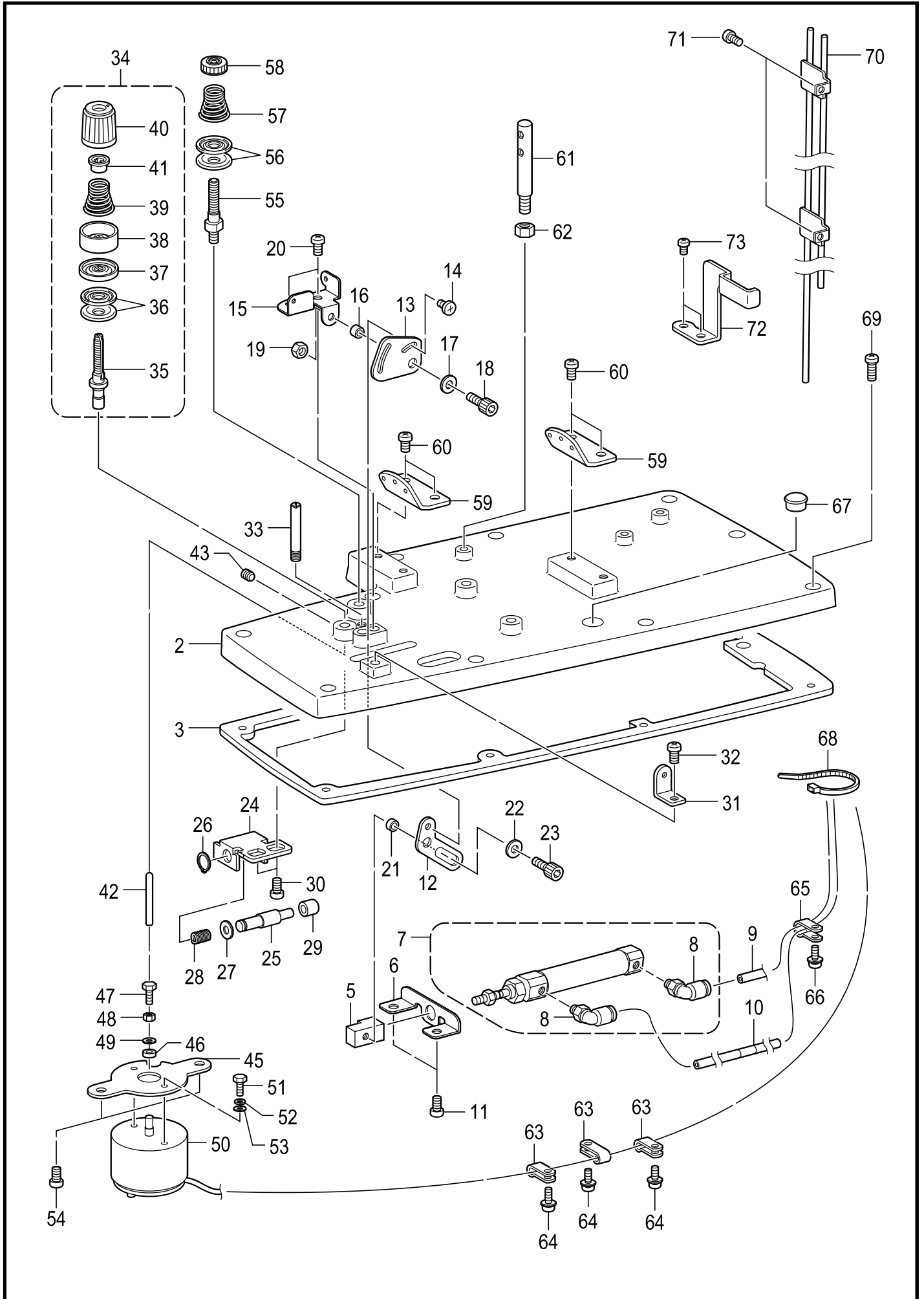
参照号	零部件序号	数量	零部件名称	NAME OF PARTS	RM
1	SA6893001	1	油板组件	OIL PLATE ASSY	
4	S35001000	8	尼龙铆钉	NYLON RIVET	
5	SA6896001	1	油管	OIL TUBE	
6	SA6897001	1	油线 3X3	WICK 3X3	
7	SA6898001	1	油线 3X3	WICK 3X3	
8	SA6899001	1	油线 6X6	WICK 6X6	
9	S00480000	1	电线夹 #5	CORD HOLDER, 5N	
10	0A5400806	1	螺栓(带垫圈) M4X8DB	SCREW PAN (S/P WASHER) M4X8	
11	062400816	4	螺钉 M4X8	SCREW PAN M4X8	
12	SA6900001	1	油管	OIL TUBE	
13	SA6901101	1	油线 3X3	WICK 3X3	
14	146202000	1	尼龙线夹 6N	CORD HOLDER, 6N	
15	0A5400806	1	螺栓(带垫圈) M4X8DB	SCREW PAN (S/P WASHER) M4X8	
16	S10243000	1	尼龙夹 NK-3N	CORD HOLDER, NK-3N	
17	0A5400806	1	螺栓(带垫圈) M4X8DB	SCREW PAN (S/P WASHER) M4X8	
18	149547000	1	压线板	CORD HOLDER, 4N	
19	0A5400806	1	螺栓(带垫圈) M4X8DB	SCREW PAN (S/P WASHER) M4X8	
20	SA6902001	1	油管压板	TUBE SUPPORT	
21	018400636	2	螺栓 M4X6	BOLT SOCKET M4X6	
22	S10243000	1	尼龙夹 NK-3N	CORD HOLDER, NK-3N	
23	0A5400806	1	螺栓(带垫圈) M4X8DB	SCREW PAN (S/P WASHER) M4X8	
24	SA6903001	1	挡油板	OIL STOPPER	
25	SA6904001	1	油毡压板组件	FELT HOLDER ASSY	
27	SA6906001	2	针杆油毡	N-BAR YOKE FELT	
28	SA6907001	1	角块供油毡 D	SLIDE BLOCK FELT D	
29	SA6908001	1	油线 2X2	WICK 2X2	
30	S35001000	1	尼龙铆钉	NYLON RIVET	
31	018400636	2	螺栓 M4X6	BOLT SOCKET M4X6	
32	SA6909001	1	油管	OIL TUBE	
33	SA6910001	1	油线 2X2	WICK 2X2	
34	S56911000	1	油管接头 S	OIL JOINT S	
35	S51020000	1	油芯紧圈	COLLAR	
36	S10243000	2	尼龙夹 NK-3N	CORD HOLDER, NK-3N	
37	0A5400806	2	螺栓(带垫圈) M4X8DB	SCREW PAN (S/P WASHER) M4X8	
38	SA6911001	1	油板	OIL PLATE	
39	062400616	2	螺钉 M4X6	SCREW PAN M4X6	
40	S49992000	1	油视窗	OIL GAUGE WINDOW	
41	S00480000	2	电线夹 #5	CORD HOLDER, 5N	
42	552907000	2	电线夹 #10	CORD HOLDER #10	
43	0A5400806	4	螺栓(带垫圈) M4X8DB	SCREW PAN (S/P WASHER) M4X8	
44	SA6912001	2	油线 2X2	WICK 2X2	
45	SA6913001	1	油线 2X2	WICK 2X2	
46	S29700000	4	上弯针导向油毡	FELT	
47	153050000	1	油毡	S-RACE BASE FELT	
48	SA6914001	1	油线 2X2	WICK 2X2	
49	S29700000	6	上弯针导向油毡	FELT	
50	SA6915001	1	油毡组件	FELT ASSY	
51	SA6918001	1	油管	OIL TUBE	
52	SA6919001	1	油管压板	TUBE GUIDE	
53	018400836	1	螺栓 M4X8	BOLT SOCKET M4X8	
54	S25328001	1	油毡	FELT	
55	SA8279001	1	油管	OIL TUBE	
56	SA6920201	1	副油罐总组件	SUB-TANK UNIT	
57	SA3040001	1	油嘴管	OIL FEEDING PIPE	
58	SA3060001	1	油门垫片	VALVE PACKING	
60	104450101	1	橡皮塞 8	RUBBER CAP, 8	
61	SA6923001	1	油管	OIL TUBE	
62	SA6924001	1	油线 6X6	WICK 6X6	
63	SA6925001	1	油管	OIL TUBE	
64	SA6926001	1	油线 3X3	WICK 3X3	
65	SA6927001	1	油管	OIL TUBE	
66	SA6928001	1	油线 6X6	WICK 6X6	



N. 供油润滑装置 / Lubrication

参照号	零部件序号	数量	零部件名称	NAME OF PARTS	RM
67	SA6929001	1	油管定位弹簧	TUBE CLIP SPRING	
68	S55481001	2	螺栓(带垫圈) M4X12	BOLT SOCKET (S/P WASHER)M4X12	
69	149287000	4	压线板	CORD HOLDER, 7N	
70	0A5400806	4	螺栓(带垫圈) M4X8DB	SCREW PAN (S/P WASHER) M4X8	
71	SA6930001	1	油管压板 B	TUBE SUPPORT B	
72	062500816	1	螺钉 M5X8	SCREW PAN M5X8	
73	S25328001	1	油毡	FELT	
74	112753001	1	油毡	FELT	
75	S00480000	1	电线夹 #5	CORD HOLDER, 5N	
76	0A5400806	1	螺栓(带垫圈) M4X8DB	SCREW PAN (S/P WASHER) M4X8	
77	SA6886001	1	油线 2X2	WICK 2X2	
78	SA5567001	1	油线 2X2	WICK 2X2	
79	SA5566001	1	油线 2X2	WICK 2X2	
80	SA5567001	1	油线 2X2	WICK 2X2	
81	107155001	2	油毡	FELT	
82	SA6932001	1	弯针座供油组件	LOOPER BASE OIL PLATE ASSY	
86	060400516	2	螺钉 M4X5	SCREW BIND M4X5	
87	SA6936001	1	油线	WICK	
88	SA6937101	1	油线 2X2	WICK 2X2	
89	SA6938001	1	芯线板组件	GIMP THREAD WASTE PLATE ASSY	
90	SA6939001	1	芯线板	GIMP THREAD WASTE PLATE	
91	SA6940001	1	弯针油毡	LOOPER LINK FELT	
92	228475000	2	电线夹 1.9X80	FASTENING BAND 1.9X80	
93	SA6941001	1	油线 2X2	WICK 2X2	
94	060400816	1	螺钉 M4X8	SCREW BIND M4X8	
95	SA7178001	1	油管	OIL TUBE	
96	SA6942001	1	隔板	PARTITION	
97	018400636	2	螺栓 M4X6	BOLT SOCKET M4X6	
98	SA8009001	1	油线	WICK	
99	S02657101	1	油线夹板	CORD HOLDER	
100	SA8011001	1	油线 6X6	WICK 6X6	
101	S56911000	2	油管接头 S	OIL JOINT S	
102	S51020000	2	油芯紧圈	COLLAR	
103	SA8101001	1	油管	OIL TUBE	

P1. 穿线装置 / Threading mechanism

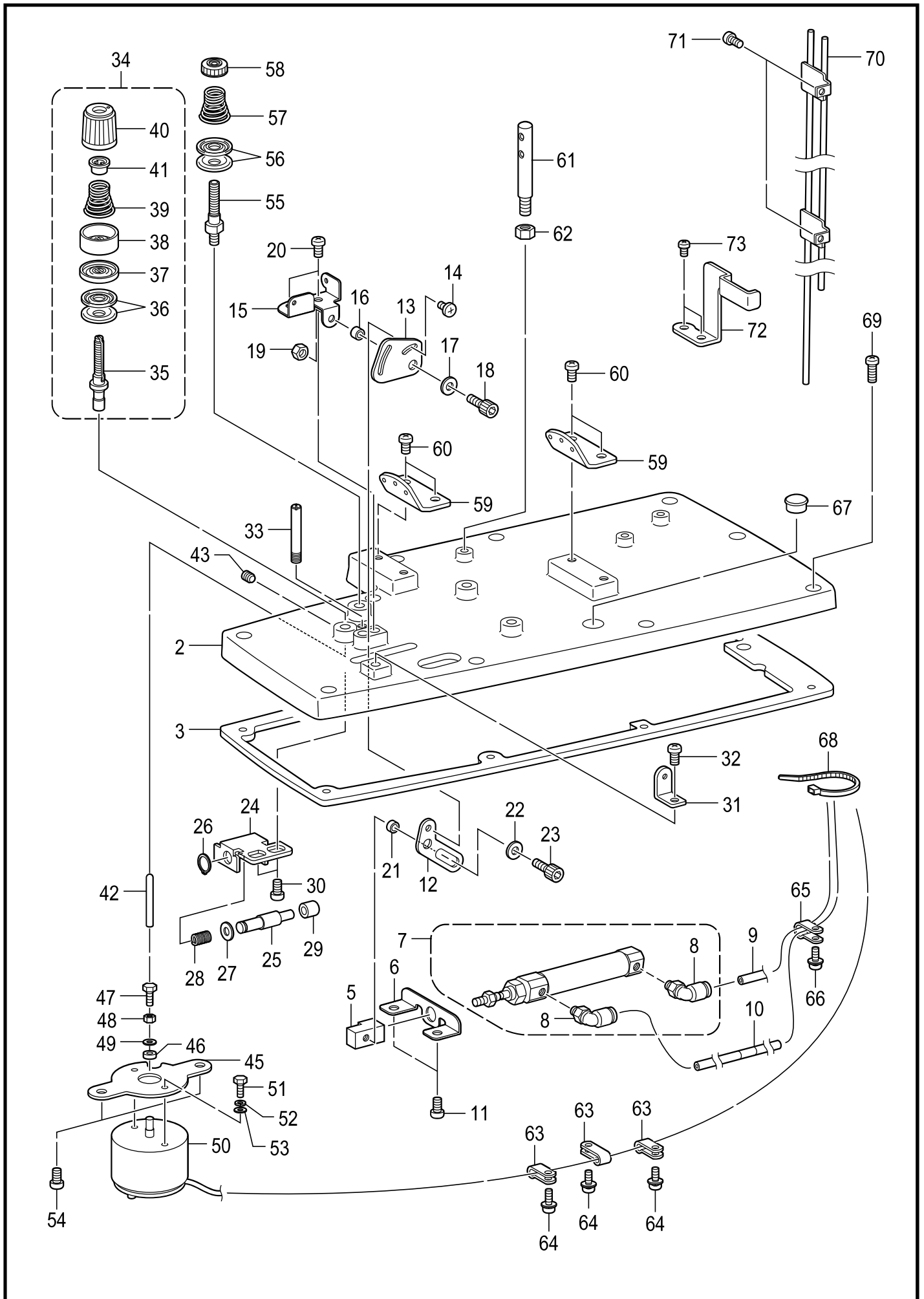


RH-9820-401

P1. 穿线装置 / Threading mechanism

参照号	零部件序号	数量	零部件名称	NAME OF PARTS	RM
2	SA6944001	1	上盖	TOP COVER	
3	SA6945001	1	上盖垫片	PACKING TOP COVER	
5	SA6947101	1	气缸接头 A	CYLINDER JOINT A	
6	SA6948101	1	气缸安装板 A	CYLINDER SETTING PLATE A	
7	SA6949001	1	气缸组件 10-30	CYLINDER ASSY 10-30	
8	S11426000	2	弯管接头 4M5	ELBOW UNION 4M5	
9	SA6950001	1	空气管 4X2.5-11	AIR TUBE 4X2.5-11	
10	SA7134001	1	空气管 4X2.5-12	AIR TUBE 4X2.5-12	
11	062500816	2	螺钉 M5X8	SCREW PAN M5X8	
12	SA6951001	1	取线手杆驱动板	T-TAKE-UP LEVER DRIVING PLATE	
13	SA6952001	1	取线手杆板	THREAD TAKE-UP LEVER PLATE	
14	060400516	1	螺钉 M4X5	SCREW BIND M4X5	
15	SA6953001	1	取线手杆基台	THREAD TAKE-UP LEVER BASE	
16	SA6954001	1	管套 A	COLLAR A	
17	SA7494001	1	垫圈	WASHER	
18	018401036	1	螺栓 M4X10	BOLT SOCKET M4X10	
19	021400206	1	六角螺母 M4	NUT 2 M4	
20	062500816	2	螺钉 M5X8	SCREW PAN M5X8	
21	SA6955001	1	管套 B	COLLAR B	
22	SA7494001	1	垫圈	WASHER	
23	018401036	1	螺栓 M4X10	BOLT SOCKET M4X10	
24	SA6956101	1	冲击支撑板	IMPACT SUPPORT PLATE	
25	SA6957001	1	冲击支撑杆	IMPACT SUPPORT SHAFT	
26	048060142	1	轴用挡圈 C6	RETAINING RING EXTERNAL C6	
27	025060236	1	平垫圈 M6	WASHER PLAIN M 6	
28	SA6958001	1	压簧 A	SPRING COMPRESSION A	
29	S05356000	1	扣夹 A	BUTTON CLAMP, A	
30	062500816	2	螺钉 M5X8	SCREW PAN M5X8	
31	SA6959001	1	面线导向 A	UPPER THREAD GUIDE A	
32	062500816	1	螺钉 M5X8	SCREW PAN M5X8	
33	SA6960101	1	线导向杆 A	THREAD GUIDE ROD A	
34	SA6961001	1	夹线器组件 U	TENSION U ASSY	
35	SA6962001	1	夹线螺杆 U	TENSION STUD U	
36	145446001	2	夹线盘	DISC, TENSION	
37	159805001	1	夹线压盘	TENSION DISC PRESSER	
38	144103009	1	压线圈	TENSION DISC PRESSER	
39	159221101	1	调节弹簧	TENSION SPRING	
40	S20682102	1	调节螺母	TENSION NUT	
41	S20681000	1	调节弹簧垫圈	WASHER	
42	152873001	1	松线销	TENSION RELEASE PIN	
43	012500536	1	螺钉 M5X5	SET SCREW SOCKET (FT) M5X5	
45	SA3345001	1	电磁铁安装板	SETTING PLATE, SOLENOID	
46	154599000	1	电磁铁缓冲垫圈	SOLENOID CUSHION	
47	017401415	1	螺栓 M4X14	BOLT M4X14	
48	021400306	1	六角螺母 M4	NUT 3 M4	
49	102707002	1	垫圈 4	WASHER	
50	SA6538001	1	面线松线电磁铁	U-TENSION RELEASE SOLENOID	
51	017400802	2	螺栓 M4X8	BOLT M4X8	
52	028040246	2	弹簧垫圈 2-4	WASHER SPRING 2-4	
53	025040236	2	平垫圈 M4	WASHER PLAIN M 4	
54	062500816	2	螺钉 M5X8	SCREW PAN M5X8	
55	S20698221	1	夹线螺杆	TENSION STUD	
56	144504001	2	导向盘	THREAD GUIDE DISC	
57	154562101	1	小夹线弹簧 B	PRE-TENSION SPRING B	
58	155510001	1	夹线螺母	TENSION NUT	
59	SA6963001	2	三眼导线板	SEWING THREAD RETAINER GUIDE	
60	062500816	4	螺钉 M5X8	SCREW PAN M5X8	
61	SA5568001	1	穿线杆	THREAD SPOOL PIN	
62	021500216	1	六角螺母 M5	NUT 1 M5	
63	149547000	3	压线板	CORD HOLDER, 4N	
64	0A5400806	3	螺栓(带垫圈) M4X8DB	SCREW PAN (S/P WASHER) M4X8	
65	S00480000	1	电线夹 #5	CORD HOLDER, 5N	
66	0A5400806	1	螺栓(带垫圈) M4X8DB	SCREW PAN (S/P WASHER) M4X8	

P1. 穿线装置 / Threading mechanism



RH-9820-401

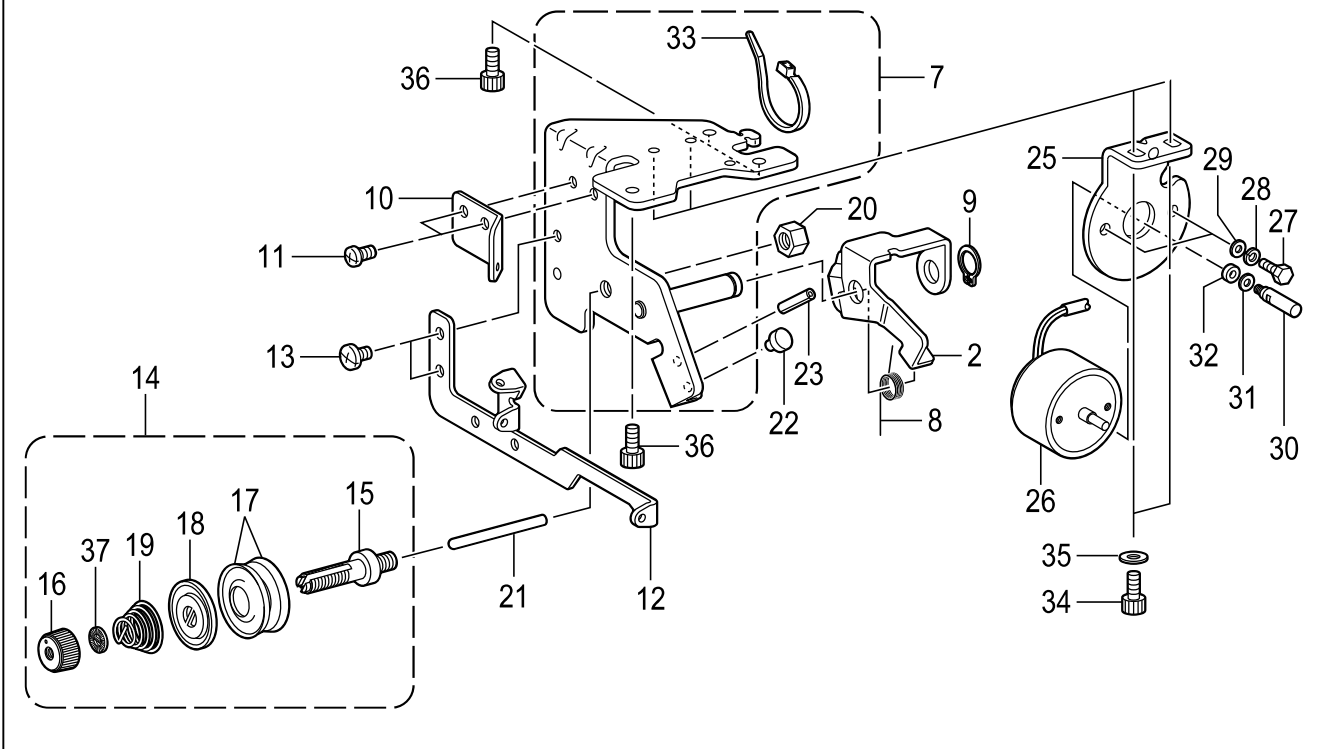


P1. 穿线装置 / Threading mechanism

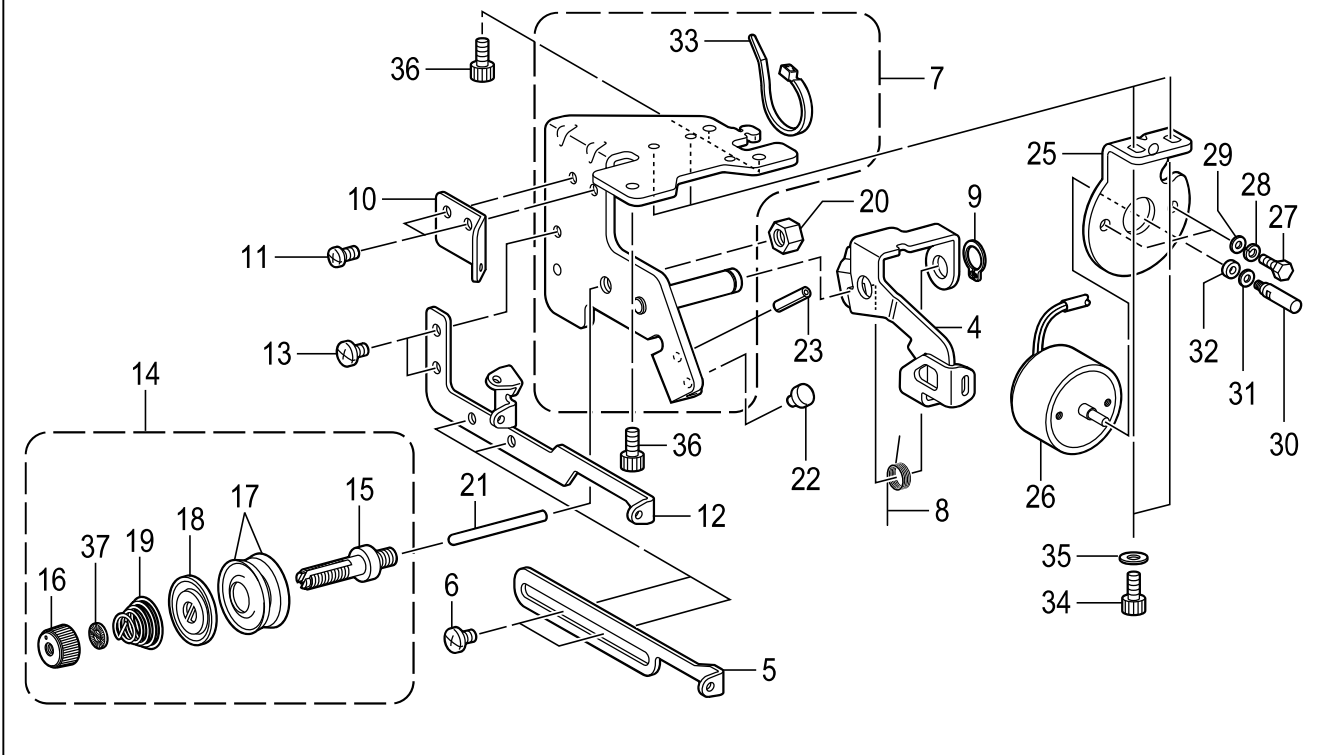
参照号	零部件序号	数量	零部件名称	NAME OF PARTS	RM
67	104821001	1	橡皮塞 10.5	RUBBER CAP, 10.5	
68	228475000	1	电线夹 1.9X80	FASTENING BAND 1.9X80	
69	062501216	9	螺钉 M5X12	SCREW PAN M5X12	
70	SA6965001	1	2连线导向管	2 PEDAL THREAD GUIDE PIPE	
71	062500816	2	螺钉 M5X8	SCREW PAN M5X8	
72	SA6966001	1	导向管基座	PIPE CLAMP PLATE	
73	062400816	2	螺钉 M4X8	SCREW PAN M4X8	

P2 . 穿线装置 / Threading mechanism

< -00, -02 >



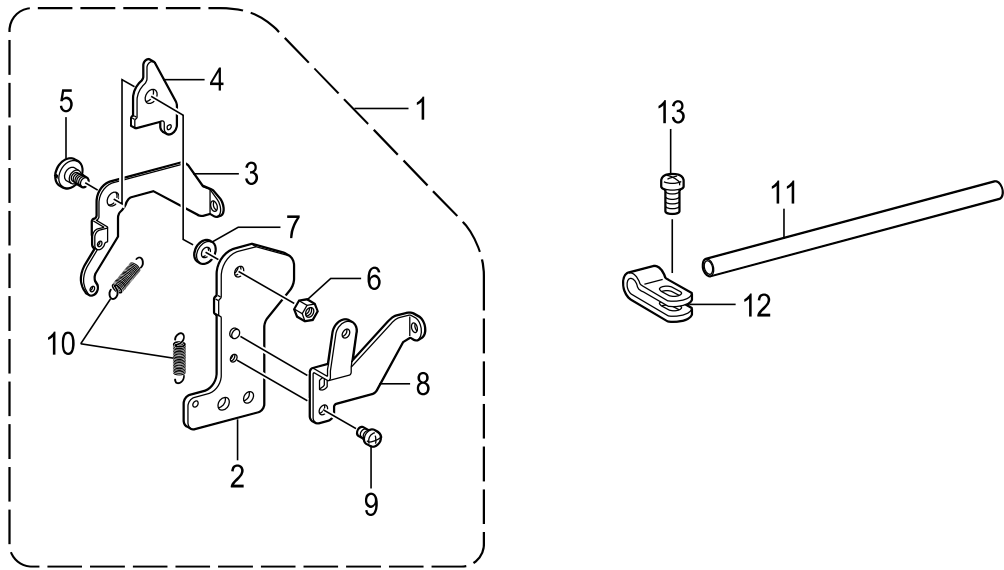
< -01 >



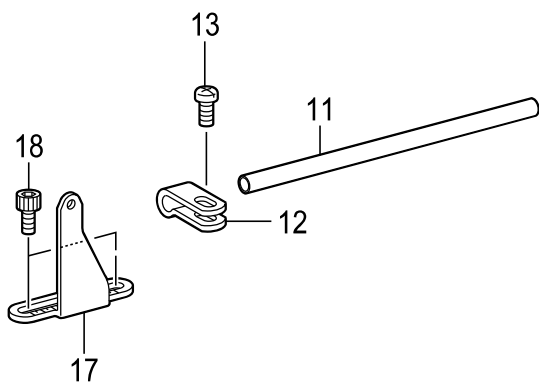
P2. 穿线装置 / Threading mechanism

参照号	零部件序号	数量	零部件名称	NAME OF PARTS	RM
2	SA7067201	1	<用于 -00 和 -02> 底线松线板	<For -00 and -02> L-THREAD RELEASE PLATE	
4	SA6971101	1	<用于 -01> 底线取线手柄	<For -01> L-THREAD TAKE-UP GUIDE LEVER	
5	SA6974001	1	底线导向 C	LOWER THREAD GUIDE C	
6	060400516	2	螺钉 M4X5	SCREW BIND M4X5	
7	SA6969201	1	底线调节板	L-THREAD GUIDE ADJUST PLATE	
8	SA6970001	1	弹簧 B	TWIST SPRING B	
9	048080142	1	轴用挡圈 C8	RETAINING RING EXTERNAL C8	
10	SA6972001	1	底线导向 A	LOWER THREAD GUIDE A	
11	062400816	2	螺钉 M4X8	SCREW PAN M4X8	
12	SA6973001	1	底线导向 B	LOWER THREAD GUIDE B	
13	060400516	2	螺钉 M4X5	SCREW BIND M4X5	
14	SA7175201	1	底线夹线杆组件	L-THREAD TENSION SHAFT ASSY	
15	SA6975101	1	底线夹线杆 D	TENSION STUD D	
16	SA8094001	1	调节螺母	TENSION NUT	
17	145446001	2	夹线盘	DISC, TENSION	
18	159805001	1	夹线压盘	TENSION DISC PRESSER	
19	154562101	1	小夹线弹簧 B	PRE-TENSION SPRING B	
20	SA3227001	1	螺母 M6	NUT(FT),M6	
21	SA6977001	1	松线销	TENSION RELEASE PIN	
22	S52431000	1	剪刀定位	U-THREAD TRIMMER STOPPER	
23	047301042	1	弹簧销 AW3	PIN SPRING ROLL AW3	
25	SA6979001	1	松线电磁铁安装板	LOWER SOLENOID SETTING PLATE	
26	SA6539001	1	松线电磁铁	L-TENSION RELEASE SOLENOID	
27	017400802	2	螺栓 M4X8	BOLT M4X8	
28	028040246	2	弹簧垫圈 2-4	WASHER SPRING 2-4	
29	025040236	2	平垫圈 M4	WASHER PLAIN M 4	
30	SA6980001	1	电磁铁轴	LOWER SOLENOID SHAFT	
31	155559001	1	平垫圈	WASHER PLAIN	
32	154599000	1	电磁铁缓冲垫圈	SOLENOID CUSHION	
33	S04159000	1	线夹 1M	BAND, 1M	
34	018400836	2	螺栓 M4X8	BOLT SOCKET M4X8	
35	026040136	2	平垫圈 S4	WASHER PLAIN S 4	
36	018400836	3	螺栓 M4X8	BOLT SOCKET M4X8	
37	SA8095001	1	垫圈	WASHER	

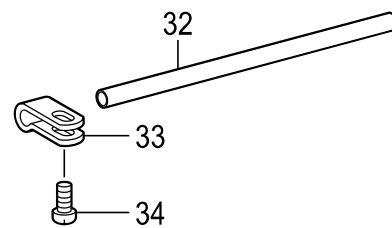
< -01 用于芯线 / For -01 gimp thread >



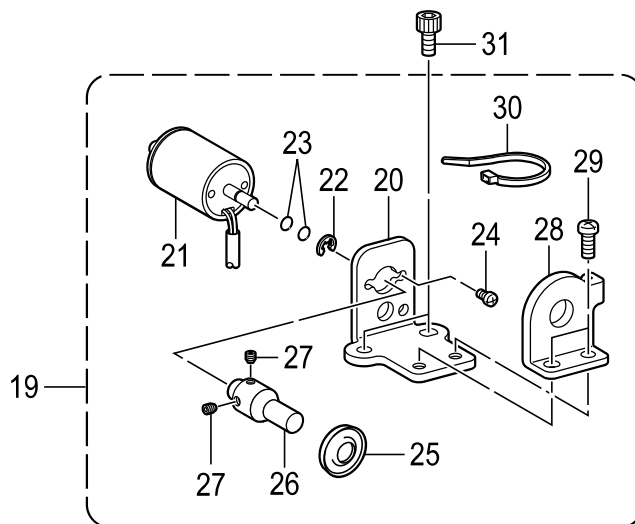
< -00, -02 用于芯线 / For -00 & -02 gimp thread >



< 用于底线 / For lower thread >



< -02 用于芯线 / For -02 gimp thread >

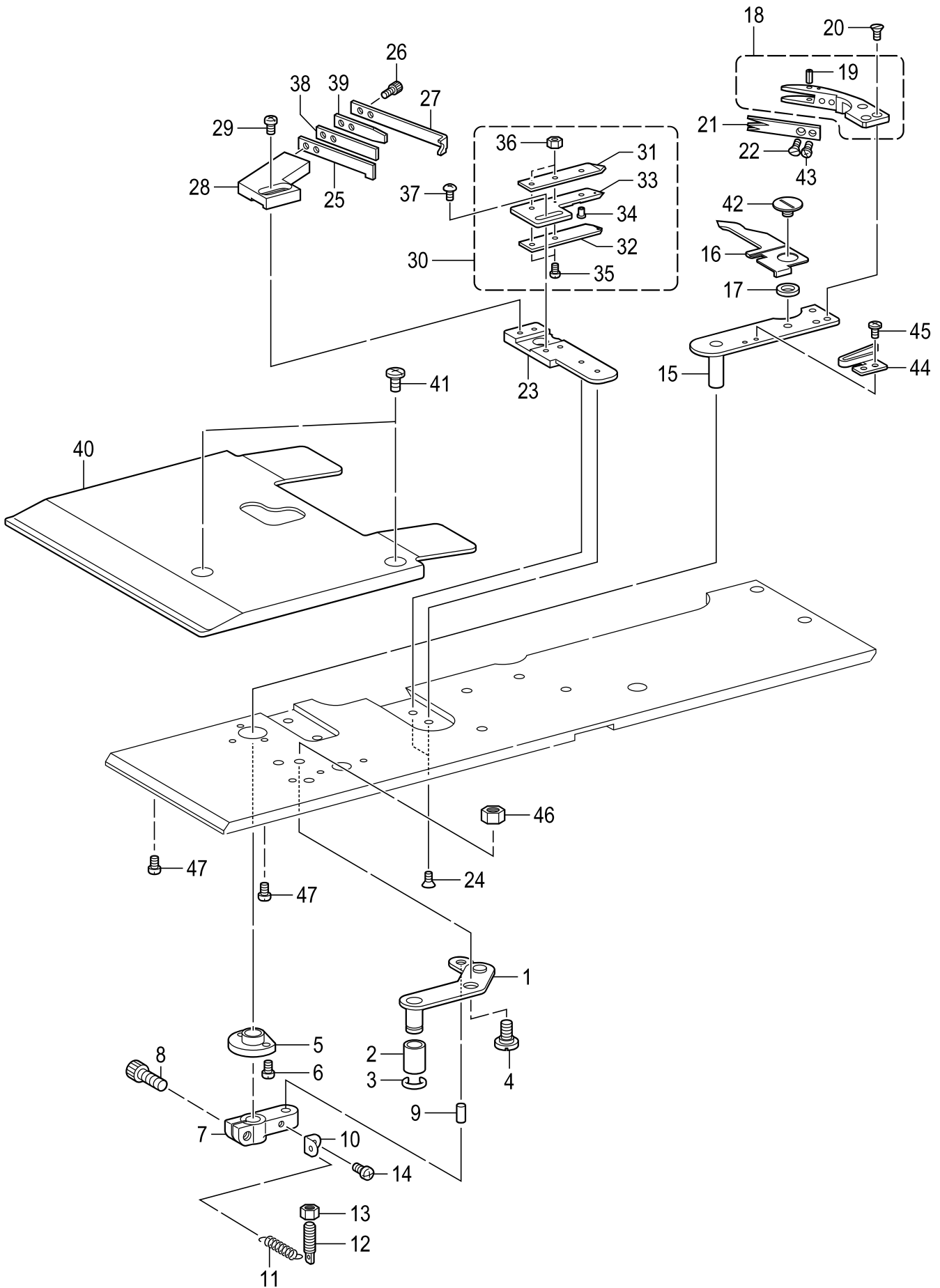


P3. 穿线装置 / Threading mechanism

参照号	零部件序号	数量	零部件名称	NAME OF PARTS	RM
			<b>&lt;-01用于芯线&gt;</b>	<b>&lt;For -01 gimp thread&gt;</b>	
1	SA7068001	1	芯线过线手柄组件	GIMP THREAD TAKE-UP G-L ASSY	
2	SA7069001	1	芯线过线架	GIMP THREAD TAKE-UP G-HOLDER	
3	SA7070001	1	芯线过线板	G-THREAD TAKE-UP GUIDE PLATE	
4	SA7071001	1	芯线过线作动板	GIMP THREAD TAKE-UP G-E PLATE	
5	SA7072001	1	轴位螺钉 M4	SHOULDER SCREW M4	
6	021400306	1	六角螺母 M4	NUT 3 M4	
7	158722001	1	垫圈 4.2	WASHER PLAIN 4.2	
8	SA7073001	1	芯线导向	GIMP THREAD GUIDE	
9	062300416	1	螺钉 M3X4	SCREW PAN M3X4	
10	SA7074001	2	弹簧	SPRING TORSION	
11	SA6981001	1	芯线导向管	GIMP THREAD GUIDE PIPE	
12	S20696001	1	导线管夹	THREAD GUIDE PIPE SUPPORT	
13	062400816	1	螺钉 M4X8	SCREW PAN M4X8	
			<b>&lt;-00 和 -02用于芯线&gt;</b>	<b>&lt;For -00 and -02 gimp thread&gt;</b>	
11	SA6981001	1	芯线导向管	GIMP THREAD GUIDE PIPE	
12	S20696001	1	导线管夹	THREAD GUIDE PIPE SUPPORT	
13	062400816	1	螺钉 M4X8	SCREW PAN M4X8	
17	SA6982001	1	芯线导向 J	GIMP THREAD GUIDE J	
18	018400836	2	螺栓 M4X8	BOLT SOCKET M4X8	
			<b>&lt;-02用于芯线&gt;</b>	<b>&lt;For -02 gimp thread&gt;</b>	
19	SA6983101	1	芯线夹组件	GIMP THREAD CLAMP ASSY	
20	SA6984001	1	芯线夹板	GIMP THREAD CLAMP PLATE	
21	SA6537001	1	芯线电磁铁	GIMP THREAD SOLENOID	
22	048025346	1	挡圈 E2.5	RETAINING RING E2.5	
23	081003870	2	O形圈 S3	O RING S3	
24	062260406	2	螺钉 M2.6X4	SCREW PAN M2.6X4	
25	145446002	1	夹线盘	DISC, TENSION	
26	SA6986101	1	芯线轴	GIMP THREAD SHAFT	
27	014300332	2	螺钉 M3X3	SET SCREW SOCKET (CP) M3X3	
28	SA6987001	1	芯线夹	GIMP THREAD CLAMP	
29	062400816	2	螺钉 M4X8	SCREW PAN M4X8	
30	S04557000	1	电线夹 PLT1M	BAND, PLT1M	
31	018400836	2	螺栓 M4X8	BOLT SOCKET M4X8	
			<b>&lt;用于底线&gt;</b>	<b>&lt;For lower thread&gt;</b>	
32	SA6981001	1	芯线导向管	GIMP THREAD GUIDE PIPE	
33	S20696001	1	导线管夹	THREAD GUIDE PIPE SUPPORT	
34	062400816	1	螺钉 M4X8	SCREW PAN M4X8	

Q1 . 切线装置 / Thread trimmer mechanism

<-01>

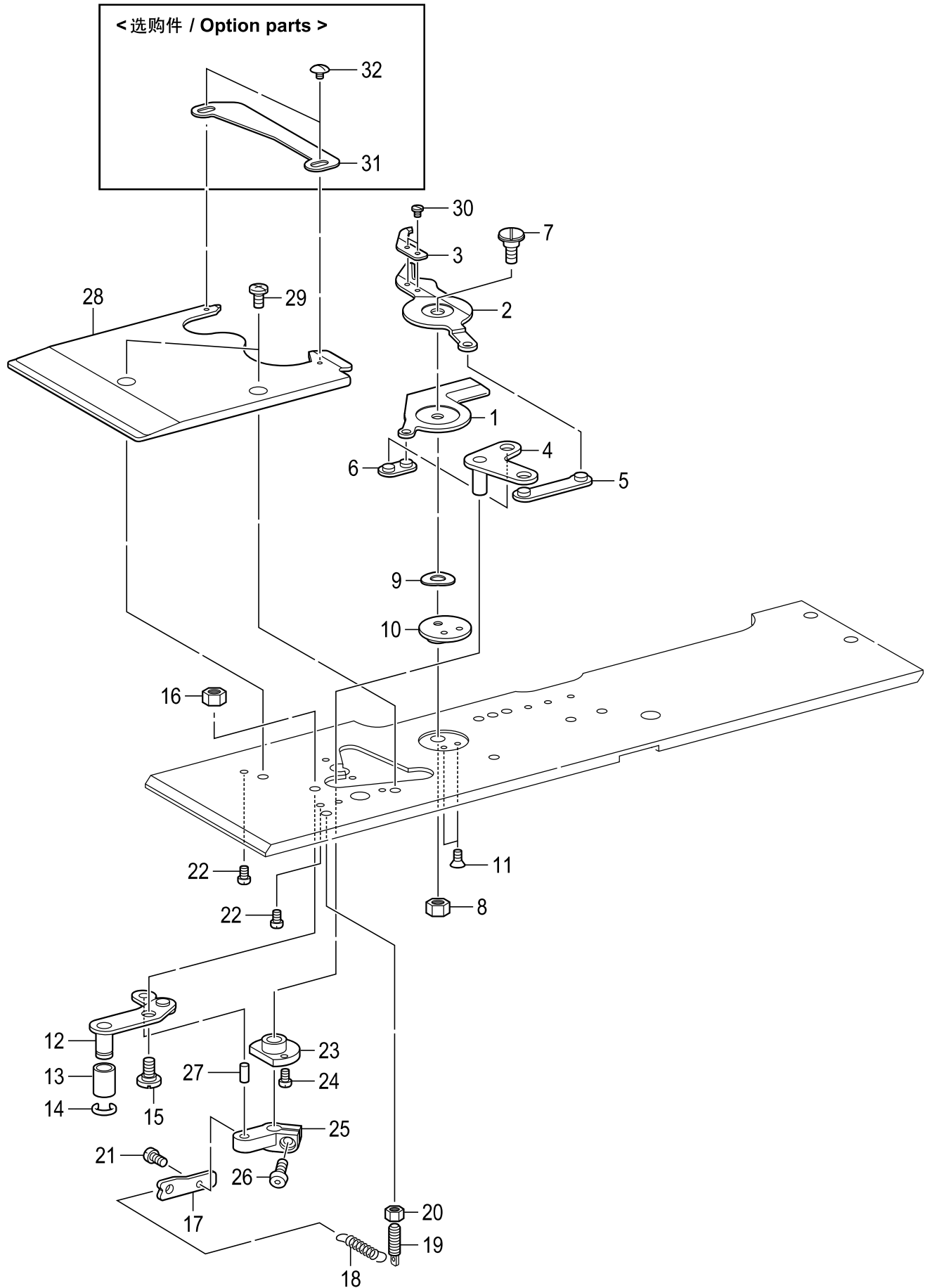


Q1. 切线装置 / Thread trimmer mechanism

参照号	零部件序号	数量	零部件名称	NAME OF PARTS	RM
			<用于 -01>	<For -01>	
1	SA7526001	1	切线连接杆组件	THREAD TRIMMER LINK LEVER ASSY	
2	SA7778001	1	连接杆滚轮	LINK LEVER ROLLER	
3	137191051	1	挡圈	STOP RING	
4	SA5693001	1	轴位螺钉 M4	SHOULDER SCREW M4	
5	S34906100	1	切线臂管套	BUSH TR TRIMMER ARM	
6	062260516	2	螺钉 M2.6X5	SCREW PAN M2.6X5	
7	S34905101	1	切线杆臂	THREAD CUTTER LEVER ARM	
8	018401036	1	螺栓 M4X10	BOLT SOCKET M4X10	
9	S37858000	1	针销 4X8	NEEDLE PIN, 4X8	
10	S34903001	1	弹簧挂钩	SPRING HOOK	
11	S34883001	1	切线弹簧	SPRING, EXTENSION	
12	S34902001	1	弹簧挂钩	SPRING HOOK	
13	021350106	1	螺母 M3.5	NUT 1 M3.5	
14	062260516	1	螺钉 M2.6X5	SCREW PAN M2.6X5	
15	S34901001	1	切线臂	THREAD TRIMMER ARM	
16	S34900001	1	分线板	OPENER, ;T-NIPPER	
17	153219001	1	动刀管套	COLLAR, ;MOVABLE KNIFE	
18	S34899001	1	动刀组件	MOVABLE KNIFE ASSY	
19	S34898001	1	弹簧销 1.4	PIN, SPRING 1.4	
20	141542001	3	螺钉 3.18	SCREW 3.18	
21	SA7076001	1	挡线器	THREAD HANDLER	
22	S01694001	1	螺钉 SM2.38X4	SCREW, FLAT SM2.38X4	
23	S34896001	1	定刀台座	BRACKET, ;FIXED KNIFE	
24	061300416	2	螺钉 M3X4	SCREW FLAT M3X4	
25	S34895001	1	定刀	FIXED KNIFE	
26	018260832	2	螺栓 M2.6X8	BOLT, SOCKET M2.6X8	
27	S34894001	1	线导向板	THREAD GUIDE PLATE	
28	S34893001	1	定刀安装板	SETTING BRACKET FIXED KNIFE	
29	062300512	2	螺钉 M3X5	SCREW PAN M3X5	
30	S34889101	1	夹线组件	THREAD NIPPER ASSY	
31	S34890001	1	夹线 U	THREAD NIPPER, U	
32	S34891101	1	夹线 D	THREAD NIPPER, D	
33	S34888101	1	夹线 M	THREAD NIPPER, M	
34	S34892001	1	分线销	OPENER PIN	
35	062020416	2	螺钉 M2X4	SCREW PAN M2X4	
36	021020106	2	螺母 M2	NUT 1 M2	
37	542515001	2	螺母 M2.6X3.5	SCREW M2.6X3.5	
38	S34887001	1	定刀板弹簧	SPRING, PLATE ;F-KNIFE	
39	S34886001	1	定刀板弹簧 U	SPRING, U PLATE ;F-KNIFE	
40	SA7077001	1	压板 U	PRESSER PLATE U	
41	060400516	2	螺钉 M4X5	SCREW BIND M4X5	
42	152904001	1	螺钉 SM4.37	SCREW, SM4.37	
43	104336003	1	螺钉 SM2.38	SCREW, SM2.38	
44	S34884000	1	分线器弹簧	OPENER SPRING	
45	060630312	2	螺钉 SM2.38-56X3	SCREW BIND SM2.38-56X3	
46	021400306	1	六角螺母 M4	NUT 3 M4	
47	062300416	2	螺钉 M3X4	SCREW PAN M3X4	

Q2 . 切线装置 / Thread trimmer mechanism

< -02 >

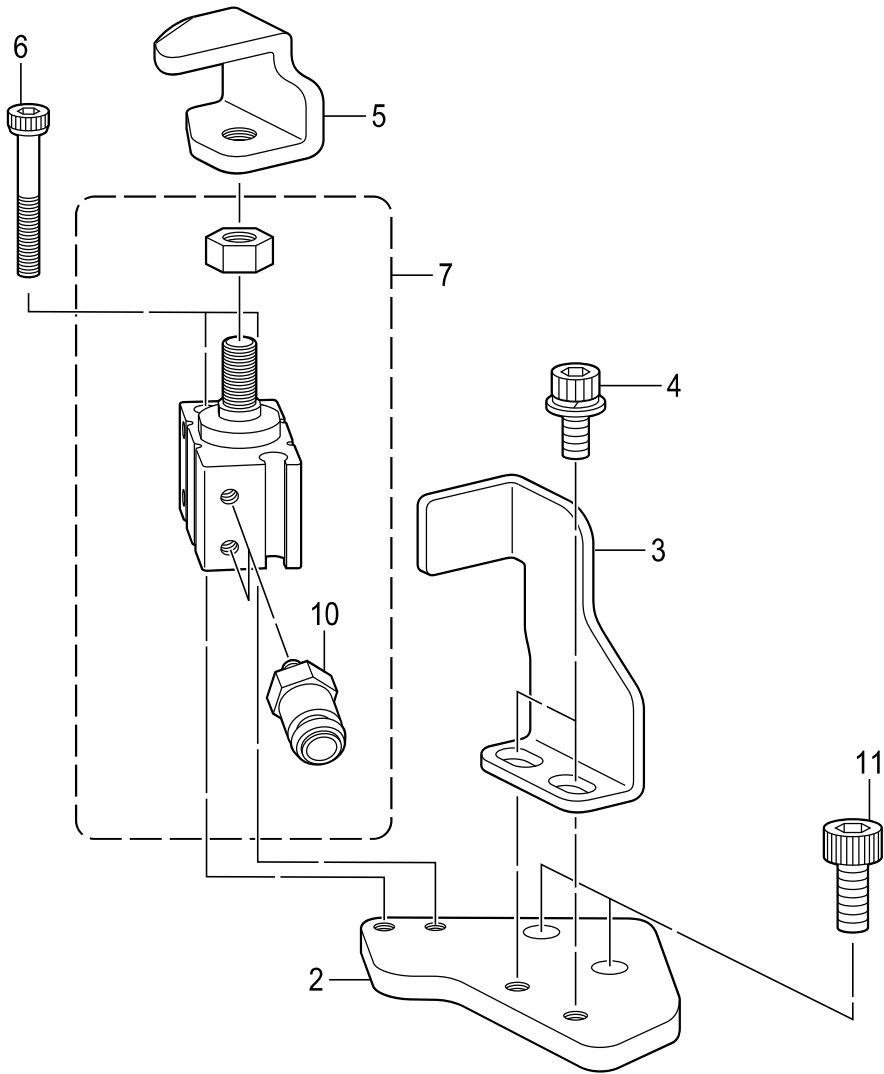




Q2. 切线装置 / Thread trimmer mechanism

参照号	零部件序号	数量	零部件名称	NAME OF PARTS	RM
			<b>&lt;用于 -02&gt;</b>	<b>&lt;For -02&gt;</b>	
1	SA6988001	1	动刀 R	MOVABLE KNIFE R	
2	SA6989001	1	动刀 L	MOVABLE KNIFE L	
3	SA6990101	1	挡线器	THREAD HANDLER	
4	SA6991001	1	动刀驱动板	MOVABLE KNIFE DRIVING PLATE	
5	SA6992001	1	切线连接组件 A	THREAD TRIMMER LINK A ASSY	
6	SA6994001	1	切线连接组件 B	THREAD TRIMMER LINK B ASSY	
7	S37660101	1	轴位螺钉 M4	SHOULDER SCREW, M4	
8	021400202	1	六角螺母 M4	NUT 2 M4	
9	S37654000	1	波纹垫圈	WAVE WASHER	
10	S37655101	1	切刀支撑圈	KNIFE SUPPORT WASHER	
11	141542001	2	螺钉 3.18	SCREW 3.18	
12	SA6996001	1	切线连接杆组件 J	THREAD TRIMMER L-LEVER J ASSY	
13	SA7778001	1	连接杆滚轮	LINK LEVER ROLLER	
14	137191051	1	挡圈	STOP RING	
15	SA5693001	1	轴位螺钉 M4	SHOULDER SCREW M4	
16	021400306	1	六角螺母 M4	NUT 3 M4	
17	SA6998101	1	弹簧挂钩	SPRING HOOK	
18	SA6999101	1	切线弹簧	THREAD TRIMMER SPRING	
19	S34902001	1	弹簧挂钩	SPRING HOOK	
20	021350106	1	螺母 M3.5	NUT 1 M3.5	
21	062260516	1	螺钉 M2.6X5	SCREW PAN M2.6X5	
22	062300416	2	螺钉 M3X4	SCREW PAN M3X4	
23	SA7001001	1	切线臂管套	BUSH TR TRIMMER ARM	
24	062260516	2	螺钉 M2.6X5	SCREW PAN M2.6X5	
25	SA7002101	1	切线杆臂 B	THREAD TRIMMER LEVER ARM B	
26	S21716001	1	螺钉 M4X10	SCREW, BUTTON HEAD M4X10	
27	S37858000	1	针销 4X8	NEEDLE PIN, 4X8	
28	SA7003001	1	压板 JU	WORK CLAMP PLATE JU	
29	060400516	2	螺钉 M4X5	SCREW BIND M4X5	
30	153787001	2	螺钉 SM2.38	SCREW, SM2.38	
			<b>&lt;选购件&gt;</b>	<b>&lt;Option parts&gt;</b>	
31	SA7118001	1	动刀罩	MOVABLE KNIFE COVER	
32	S35326101	2	螺钉 M3.5	SCREW M3.5	

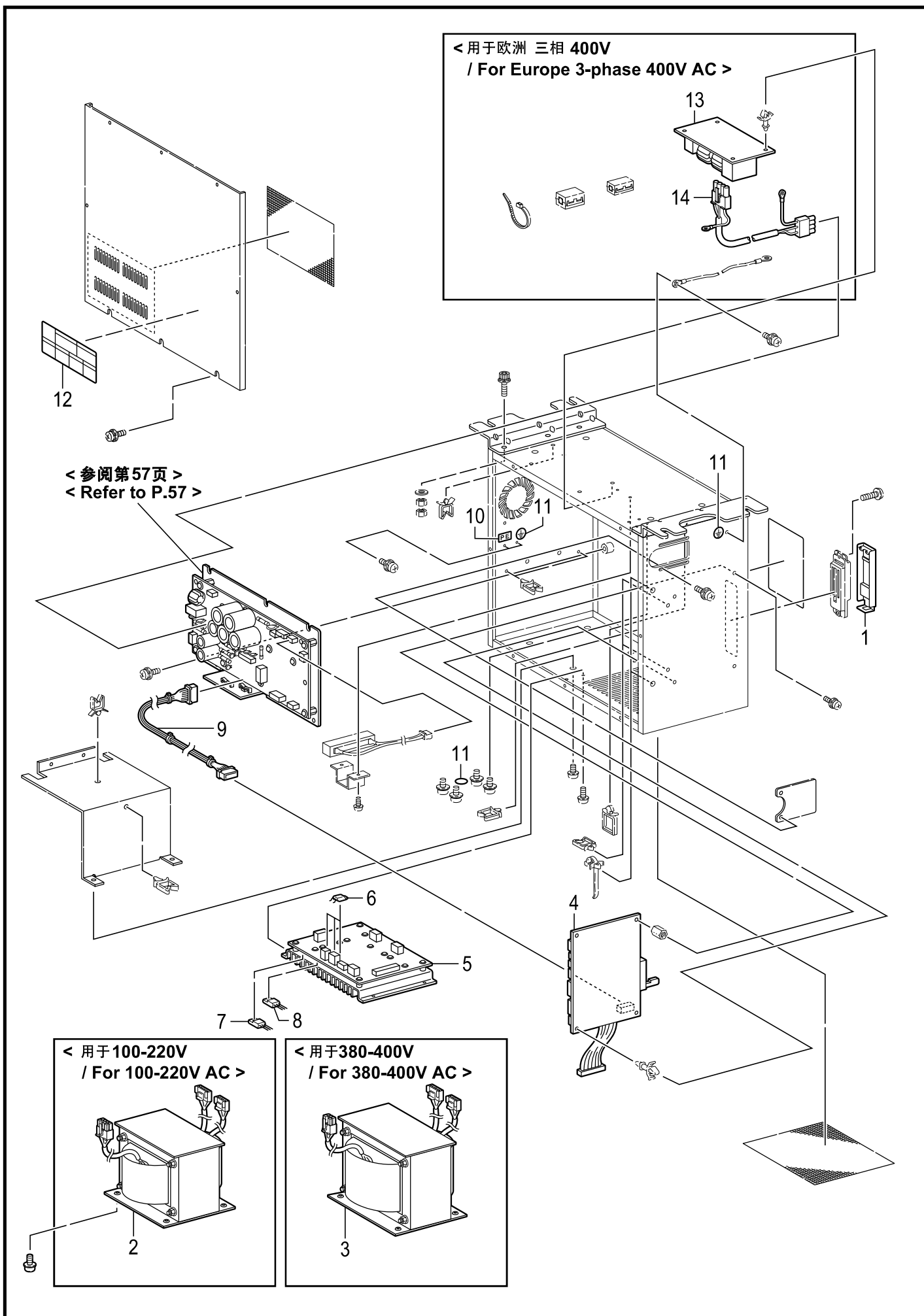
R. 面线剪切装置 / Upper thread trimmer mechanism



## R. 面线剪切装置 / Upper thread trimmer mechanism

参照号	零部件序号	数量	零部件名称	NAME OF PARTS	RM
2	SA8889001	1	气缸安装板	CYLINDER SETTING PLATE	
3	SA8890001	1	气锤导向板	HAMMER GUIDE PLATE	
4	S55479001	2	螺栓(带垫圈) M4X8	BOLT SOCKET (S/P WASHER) M4X8	
5	SA7007001	1	气锤	HAMMER	
6	S12053000	2	螺栓 M3X25 CQ2	BOLT, CQ2 M3X25	
7	SA7008001	1	气缸组件	CYLINDER ASSY	
10	SA7011001	2	接头 KJH04-M3	JOINT KJH04-M3	
11	018501236	2	螺栓 M5X12	BOLT SOCKET M5X12	

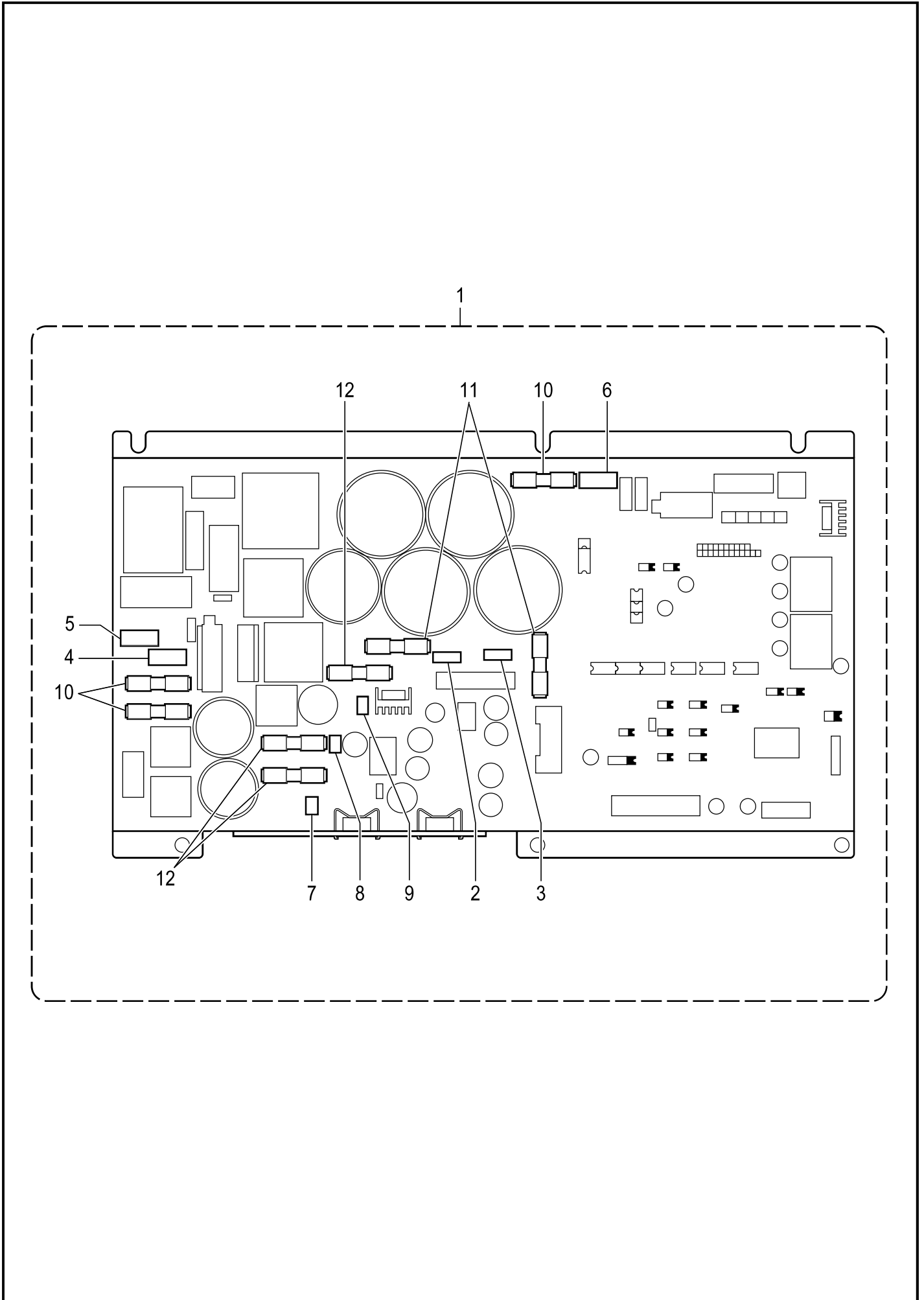
S1 . 控制箱装置 / Control box mechanism



## S1. 控制箱装置 / Control box mechanism

参照号	零部件序号	数量	零部件名称	NAME OF PARTS	RM
1	SA6364001	1	盖组件 CF	CF CAP ASSY	
			<用于 100-220V>	<For 100-220V AC>	
2	SA3720101	1	变压器 LV	TRANSFORMER LOW VOLTAGE	
			<用于 380-400V>	<For 380-400V AC>	
3	SA3808101	1	变压器 HV	TRANSFORMER HIGH VOLTAGE	
4	SA6554201	1	主基板组件 982	PCB ASSY MAIN 982	
5	SA3739601	1	基板组件 PMD	PCB ASSY PMD	
6	SA3744001	3	FET FS10ASJ-2	TRANSISTOR FET:FS10ASJ-2	
7	SA3722001	1	MOSFET FX20KMJ2	TRANSISTOR FET:FX20KMJ-2	
8	S49484000	1	MOSFETFS10KMJ-2	TRANSISTOR FET:FS10KMJ-2	
9	SA3806001	1	电线	HARNESS MAIN POWER SUPPLY	
10	S37059001	1	PE标记	LABEL, PE	
11	S37060001	3	接地标记	LABEL, GROUNDING	
12	J04115001	1	感电标签(6国)	LABEL, ELEC. SHOCK 6 LANG.	
			<用于欧洲 三相 400V>	<For Europe 3-phase 400V AC>	
13	SA3581101	1	基板组件	PCB ASSY NF	
14	SA3796001	1	电线 NF OUT	HARNESS NF OUT	

S2 . 控制箱装置(电源马达基板) / Control box mechanism (Power supply motor PCB)

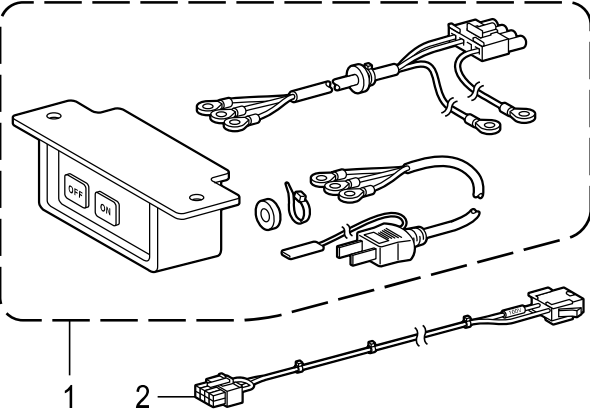


## S2. 控制箱装置 (电源马达基板) / Control box mechanism (Power supply motor PCB)

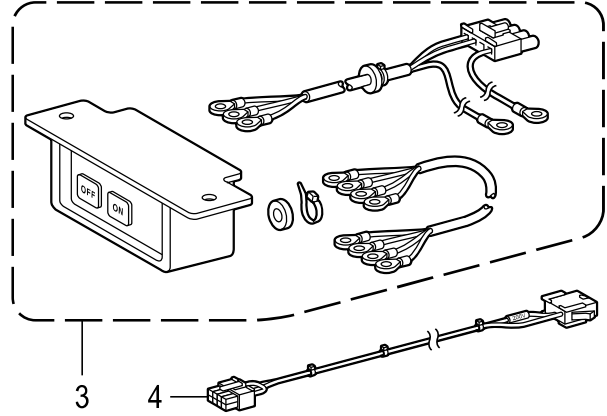
参照号	零部件序号	数量	零部件名称	NAME OF PARTS	RM
1	SA7983001	1	电源马达基板组件 B	PCB ASSY POWER SUPPLY MOTOR B	
2	SA3765001	1	电阻 V10D101	VARISTOR:V10D101	
3	SA3766001	1	电阻 V10D241	VARISTOR:V10D241	
4	SA3767001	1	电阻 V14D511	VARISTOR:V14D511	
5	SA3768001	1	电阻 V14D561	VARISTOR:V14D561	
6	SA3762001	1	电阻 V14D911	VARISTOR:V14D911	
7	SA3769001	1	电阻 V5D121	VARISTOR:V5D121	
8	SA3770001	1	电阻 V5D330	VARISTOR:V5D330	
9	SA3771001	1	电阻 V5D820	VARISTOR:V5D820	
10	SA3794001	3	保险丝 250V-15A	G FUSE S 15A	
11	SA3795001	2	保险丝 250V-6A	G FUSE S 6A	
12	SA7794001	3	保险丝 3A	G FUSE S 3A	

T. 开关装置 / Power switch mechanism

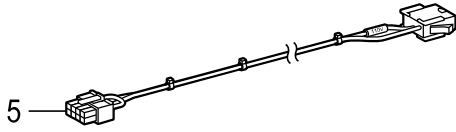
< 用于日本 单相 100V / For Japan 1-phase 100V AC. >



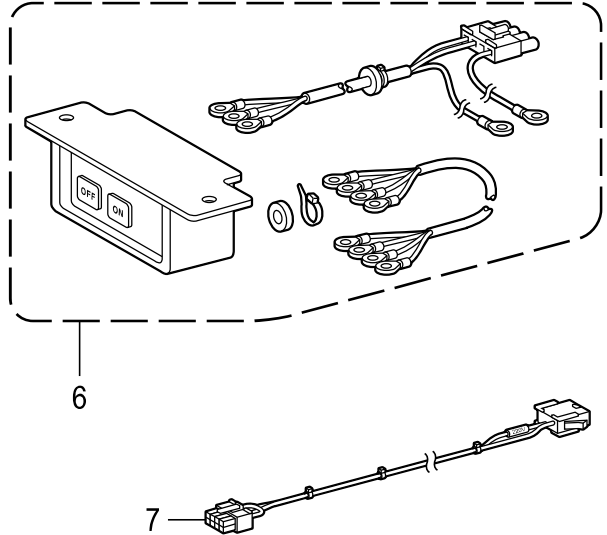
< 用于日本 三相 200V / For Japan 3-phase 200V AC. >



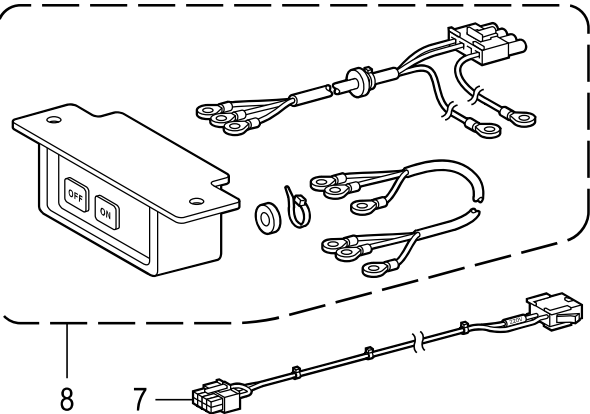
< 用于美国 单相 110V / For USA, 1-phase 110V AC. >



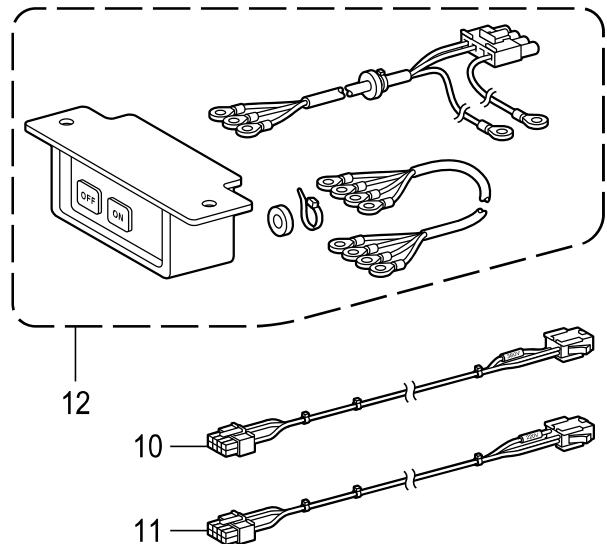
< 用于美国 三相 220V / For USA 3-phase 220V AC. >



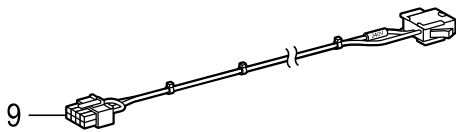
< 用于亚洲 单相 220V / For Asia 1-phase 220V AC. >



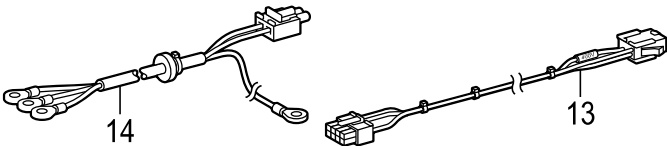
< 用于欧洲 三相 400V / For Europe 3-phase 400V AC. >



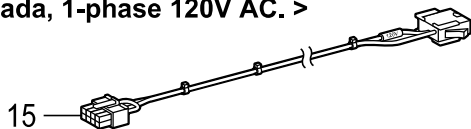
< 用于亚洲 单相 240V / For Asia, 1-phase 240V AC. >



< 用于欧洲 三相 400V / For Europe 3-phase 400V AC. >



< 用于加拿大 单相 120V / For Canada, 1-phase 120V AC. >

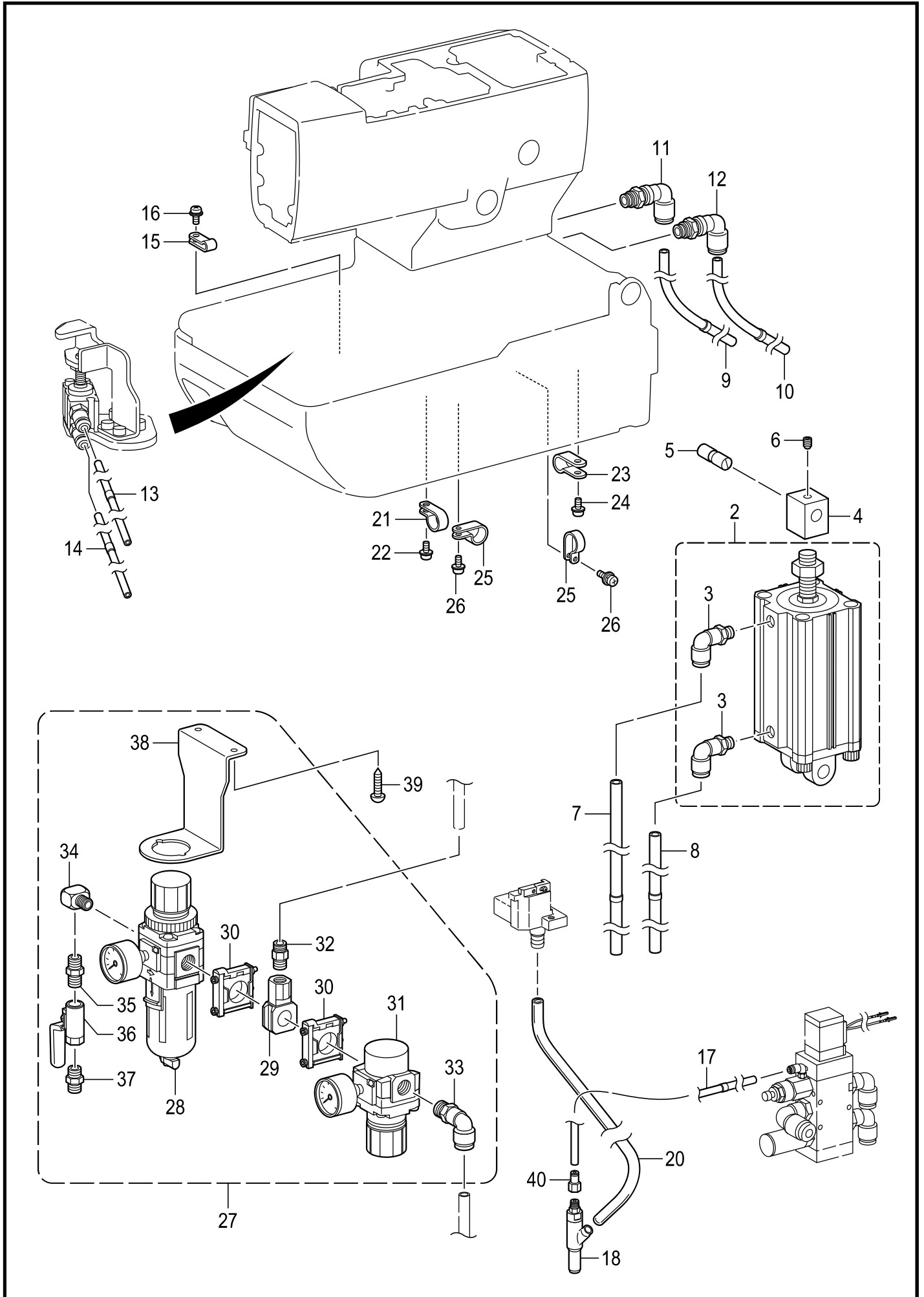




T. 开关装置 / Power switch mechanism

参照号	零部件序号	数量	零部件名称	NAME OF PARTS	RM
1	SA3813001	1	<用于日本 单相 100V> 电源开关组件 1P-JP	<For Japan 1-phase 100V AC.> POWER SUPPLY SWITCH ASSY,1P-JP	
2	SA3822001	1	V切换电线 100V	VOLTAGE SELECT HARNESS 100V	
3	SA3819001	1	<用于日本 三相 200V> 电源开关组件 3P-JP	<For Japan 3-phase 200V AC.> POWER SUPPLY SWITCH ASSY,3P-JP	
4	SA3825001	1	V切换电线 200V	VOLTAGE SELECT HARNESS 200V	
5	SA3823001	1	<用于美国 单相 110V> V切换电线 110V	<For USA, 1-phase 110V AC.> VOLTAGE SELECT HARNESS 110V	
6	SA3816001	1	<用于美国 三相 220V> 电源开关组件 3P-L	<For USA 3-phase 220V AC.> POWER SUPPLY SWITCH ASSY,3P-L	
7	SA3812001	1	V切换电线 220V	VOLTAGE SELECT HARNESS 220V	
8	SA3809001	1	<用于亚洲 单相 220V> 电源开关组件 1P	<For Asia 1-phase 220V AC.> POWER SUPPLY SWITCH ASSY,1P	
7	SA3812001	1	V切换电线 220V	VOLTAGE SELECT HARNESS 220V	
9	SA3826001	1	<用于亚洲 单相 240V> V切换电线 240V	<For Asia, 1-phase 240V AC.> VOLTAGE SELECT HARNESS 240V	
10	SA3827001	1	<用于中国 三相 380V> V切换电线 380V	<For China 3-phase 380V AC.> VOLTAGE SELECT HARNESS 380V	
11	SA3789101	1	V切换电线 H220V	VOLTAGE SELECT HARNESS H220V	
12	SA4510001	1	电源开关组件 3P-H	POWER SUPPLY SWITCH ASSY,3P-H	
13	SA3838001	1	<用于欧洲 三相 400V> 电线组件 AC IN EC	<For Europe 3-phase 400V AC.> HARNESS ASSY, AC IN EC	
14	SA3828001	1	V切换电线 400V	VOLTAGE SELECT HARNESS 400V	
15	SA3824001	1	<用于加拿大 单相 120V> V切换电线 120V	<For Canada, 1-phase 120V AC.> VOLTAGE SELECT HARNESS 120V	

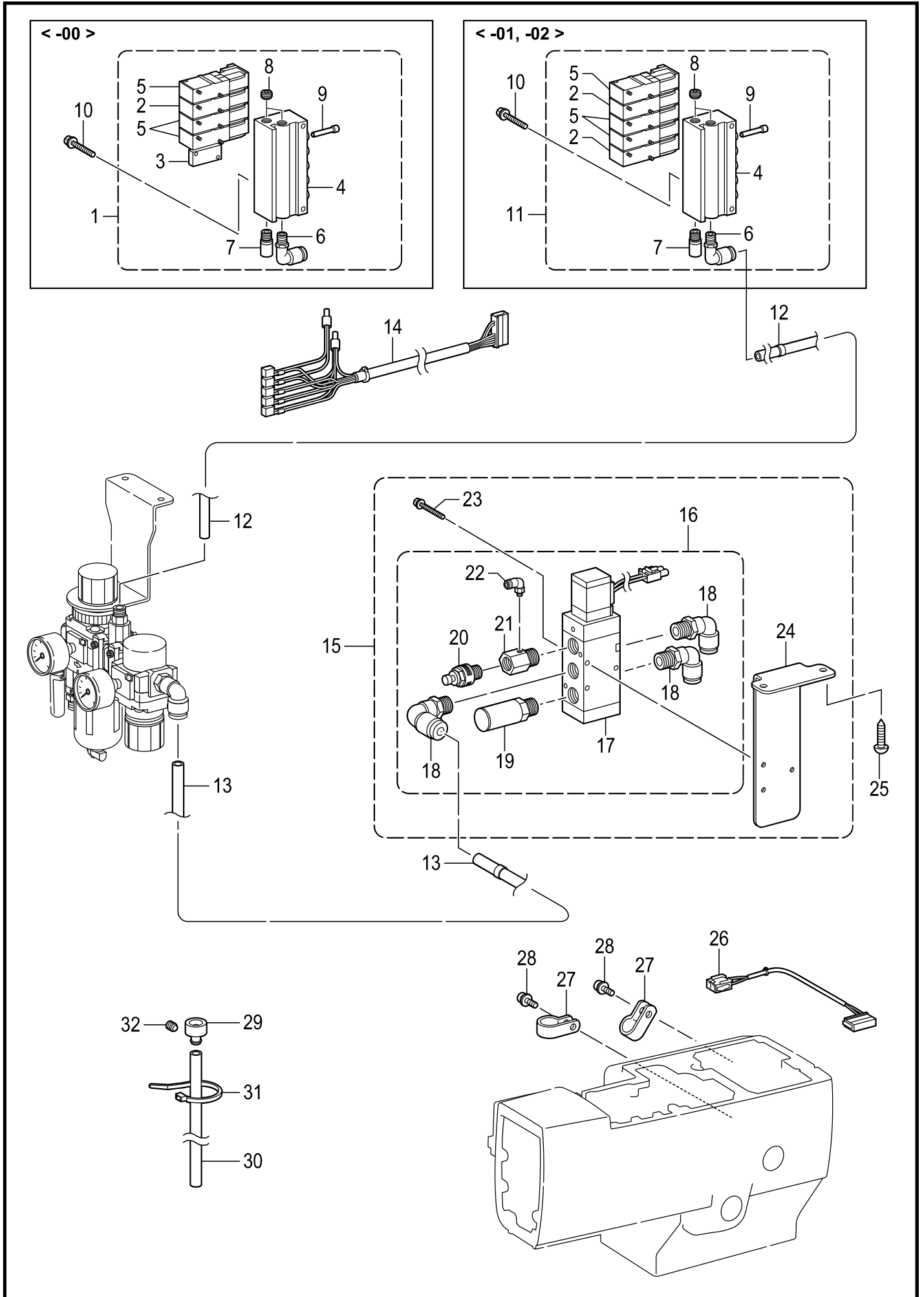
U1 . 空压装置 / Air pressure mechanism



RH-9820-514

U1. 空压装置 / Air pressure mechanism

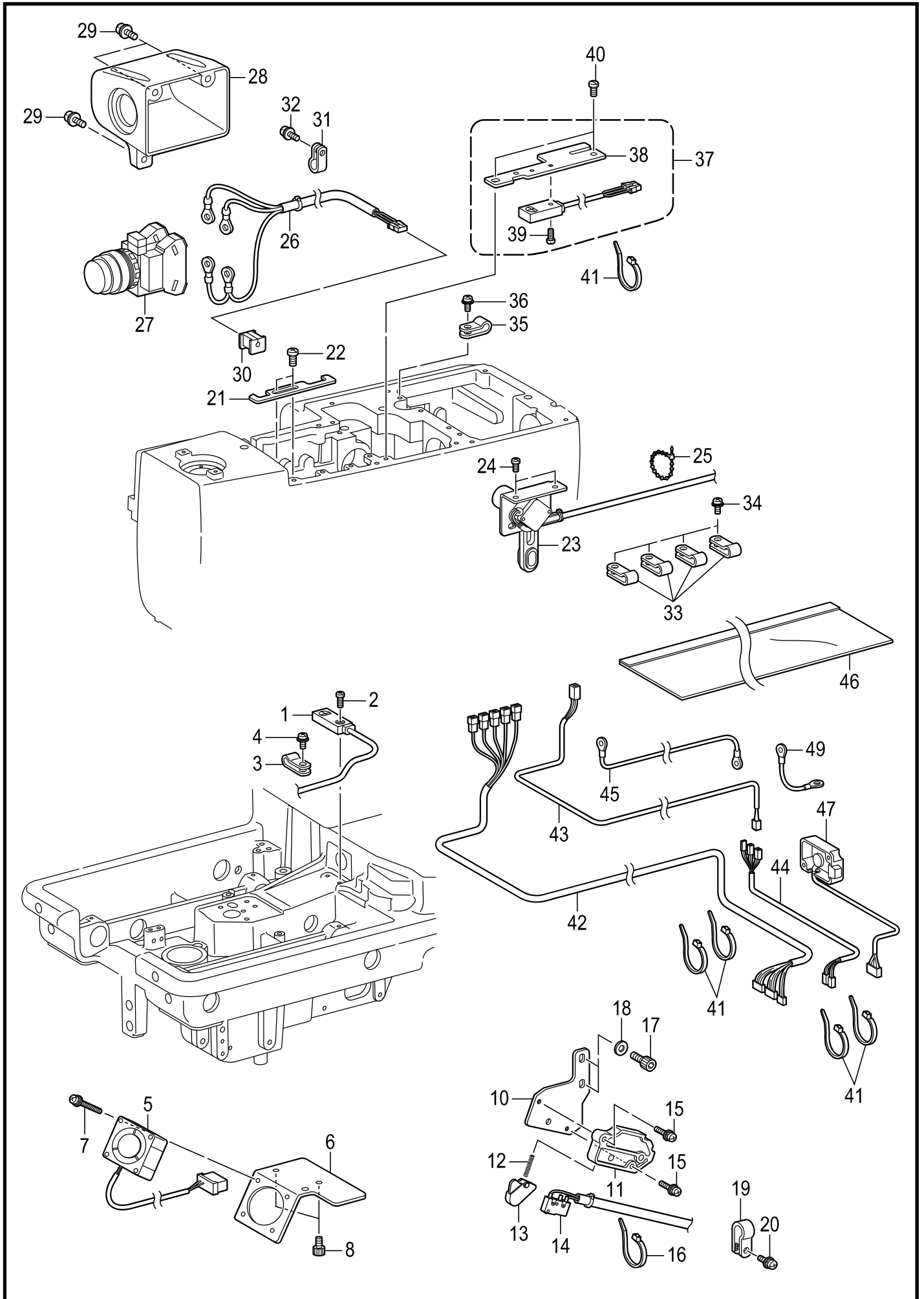
参照号	零部件序号	数量	零部件名称	NAME OF PARTS	RM
2	S35360000	1	气缸组件 63X100	CYLINDER ASSY, 63X100	
3	S35426100	2	弯管 10-4	ELBOW 10-4	
4	SA7016101	1	气缸连接	CYLINDER ROD	
5	SA7017001	1	气缸连接轴	CYLINDER ROD SHAFT	
6	014060836	1	固定螺钉 M6X8	SET SCREW SOCKET (CP) M6X8	
7	SA7018001	1	空气管 10X6.5-6A	AIR TUBE 10X6.5-6A	
8	SA7019001	1	空气管 10X6.5-5A	AIR TUBE 10X6.5-5A	
9	SA7020001	1	空气管 10X6.5-5	AIR TUBE 10X6.5-5	
10	SA7021001	1	空气管 10X6.5-6	AIR TUBE 10X6.5-6	
11	SA7022001	1	弯管 KQ2LE10-5	UNION KQ2LE10-5	
12	SA8040001	1	弯管 KQ2LE10-6	UNION KQ2LE10-6	
13	SA7023001	1	空气管 4X2.5-13	AIR TUBE 4X2.5-13	
14	SA7159001	1	空气管 4X2.5-14	AIR TUBE 4X2.5-14	
15	S00480000	1	电线夹 #5	CORD HOLDER, 5N	
16	0A5401206	1	螺栓(带垫圈) M4X12DB	SCREW PAN (S/P WASHER) M4X12	
17	SA7024101	1	空气管 4X2.5-2	AIR TUBE 4X2.5-2	
18	S34569000	1	文吐里管	VENTURI TUBE	
20	SA9176001	1	布屑管 A	KNIFE TRASH TUBE A	
21	554482000	1	电线夹 #12	CORD HOLDER #12	
22	0A5401206	1	螺栓(带垫圈) M4X12DB	SCREW PAN (S/P WASHER) M4X12	
23	552908000	1	电线夹 #14	CORD HOLDER #14	
24	0A5401206	1	螺栓(带垫圈) M4X12DB	SCREW PAN (S/P WASHER) M4X12	
25	554482000	2	电线夹 #12	CORD HOLDER #12	
26	0A5401206	2	螺栓(带垫圈) M4X12DB	SCREW PAN (S/P WASHER) M4X12	
27	SA8119001	1	压缩空气大组件	AIR UNIT SET	
28	SA7583001	1	FR复合件 AW30	FR UNIT AW30	
29	SA7584001	1	T隔板	T SPACER	
30	SA7585001	2	隔板	SPACER	
31	SA7586001	1	R复合件 AR30	R UNIT AR30	
32	S59219000	1	管接头 08-PT1/4	HALF UNION, 08-PT1/4	
33	SA7587001	1	弯管 KQ2L10-02S	ELBOW KQ2L10-02S	
34	SA7588001	1	接管 PT 1/4	ELBOW PT 1/4	
35	SA7589001	1	中间管接头 1/4	MIDDLE NIPPLE 1/4	
36	SA6573001	1	球阀 V03 1/4	BALL VALVE V03 1/4	
37	SA7595001	1	中间管接头 1/4	MIDDLE NIPPLE 1/4	
38	SA7580001	1	安装板	SETTING PLATE	
39	031553202	2	木螺钉 M5.5X32	WOOD SCREW ROUND M5.5X32	
40	SA8003001	1	空气接头	AIR CONNECTOR	



U2. 空压装置 / Air pressure mechanism

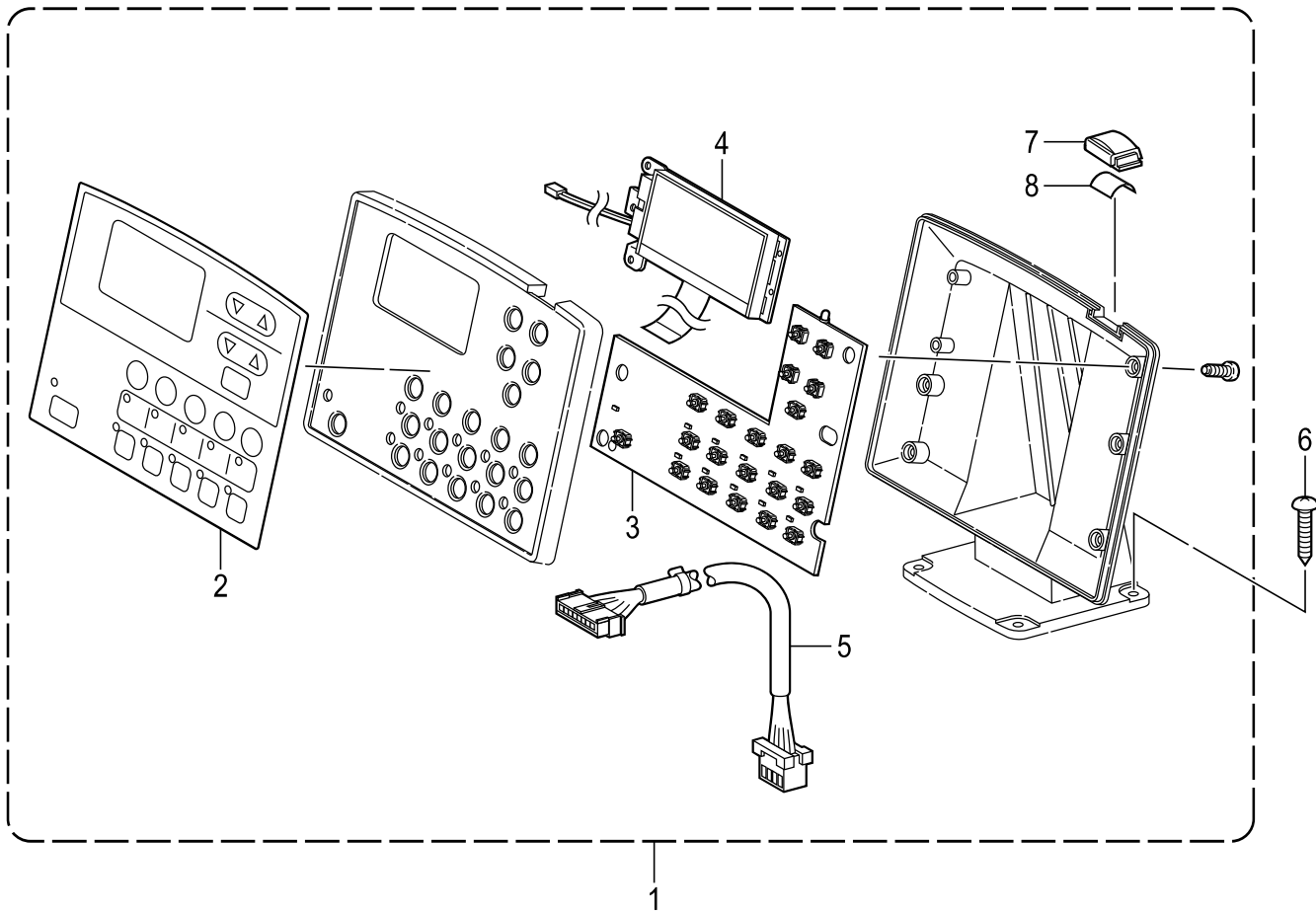
参照号	零部件序号	数量	零部件名称	NAME OF PARTS	RM
			<用于-00>	<For -00>	
1	SA7085001	1	电磁阀组件 4	SOLENOID VALVE 4 ASSY	
2	S39116100	1	阀 VQZ2151S-5	VALVE VQZ2151S-5	
3	S53982000	1	遮隔板组件	BLANKING PLATE ASSY	
4	SA7032001	1	复式接头 5	MANIFOLD 5	
5	S39115100	3	阀门 VQZ2151-5	VALVE, VQZ2151-5	
6	S14159000	1	弯管 1/8-8	ELBOW 1/8-8	
7	SA5283001	1	消音器 AN103-1	SILENCER AN103-1	
8	153274001	2	盖 1/8	CAP, 1/8	
9	SA7033001	1	插销 4	PLUG 4	
10	0A4403506	2	螺栓(带垫圈) M4X35DA	SCREW PAN (S/P WASHER) M4X35	
			<用于-01和-02>	<For -01 and -02>	
11	SA7031001	1	电磁阀组件 5	SOLENOID VALVE 5 ASSY	
2	S39116100	2	阀 VQZ2151S-5	VALVE VQZ2151S-5	
4	SA7032001	1	复式接头 5	MANIFOLD 5	
5	S39115100	3	阀门 VQZ2151-5	VALVE, VQZ2151-5	
6	S14159000	1	弯管 1/8-8	ELBOW 1/8-8	
7	SA5283001	1	消音器 AN103-1	SILENCER AN103-1	
8	153274001	2	盖 1/8	CAP, 1/8	
9	SA7033001	1	插销 4	PLUG 4	
10	0A4403506	2	螺栓(带垫圈) M4X35DA	SCREW PAN (S/P WASHER) M4X35	
12	SA7034001	1	空气管 8X5-1	AIR TUBE 8X5-1	
13	SA7035001	1	空气管 10X6.5-4	AIR TUBE 10X6.5-4	
14	SA6525001	1	阀接线组 X5	VALVE HARNESS ASSY X5	
15	SA8120101	1	切刀阀大组件	CUTTER VALVE SET	
16	SA7591101	1	阀组件	VALVE ASSY	
17	SA7592101	1	阀门 VF5120-5G-03	VALVE VF5120-5G-03	
18	SA7593001	3	弯管	ELBOW KQ2L10-03S	
19	SA7594001	1	消音器 AN303-03	SILENCER AN303-03	
20	SA7598001	1	消音器 ASN2-02	SILENCER ASN2-02	
21	SA7596001	1	接头 3/8X1/4-M5	JOINT 3/8X1/4-M5	
22	SA7597001	1	弯管	ELBOW KJL04-M5	
23	0A4404006	3	螺栓(带垫圈) M4X40DA	SCREW PAN (S/P WASHER) M4X40	
24	SA7581001	1	阀安装板	VALVE SETTING PLATE	
25	031553202	2	木螺钉 M5.5X32	WOOD SCREW ROUND M5.5X32	
26	SA6526101	1	气锤阀接线	HAMMER VALVE HARNESS	
27	S00470000	2	电线夹 #16	CORD HOLDER, 16N	
28	0A5401006	2	螺栓(带垫圈) M4X10DB	SCREW PAN (S/P WASHER) M4X10	
29	SA7046001	1	管接头	HOSE JOINT	
30	SA7047001	1	油管	OIL TUBE	
31	228475000	1	电线夹 1.9X80	FASTENING BAND 1.9X80	
32	012500536	1	螺钉 M5X5	SET SCREW SOCKET (FT) M5X5	

V. 电气部品装置 / Power supply equipment mechanism



## V. 电气部品装置 / Power supply equipment mechanism

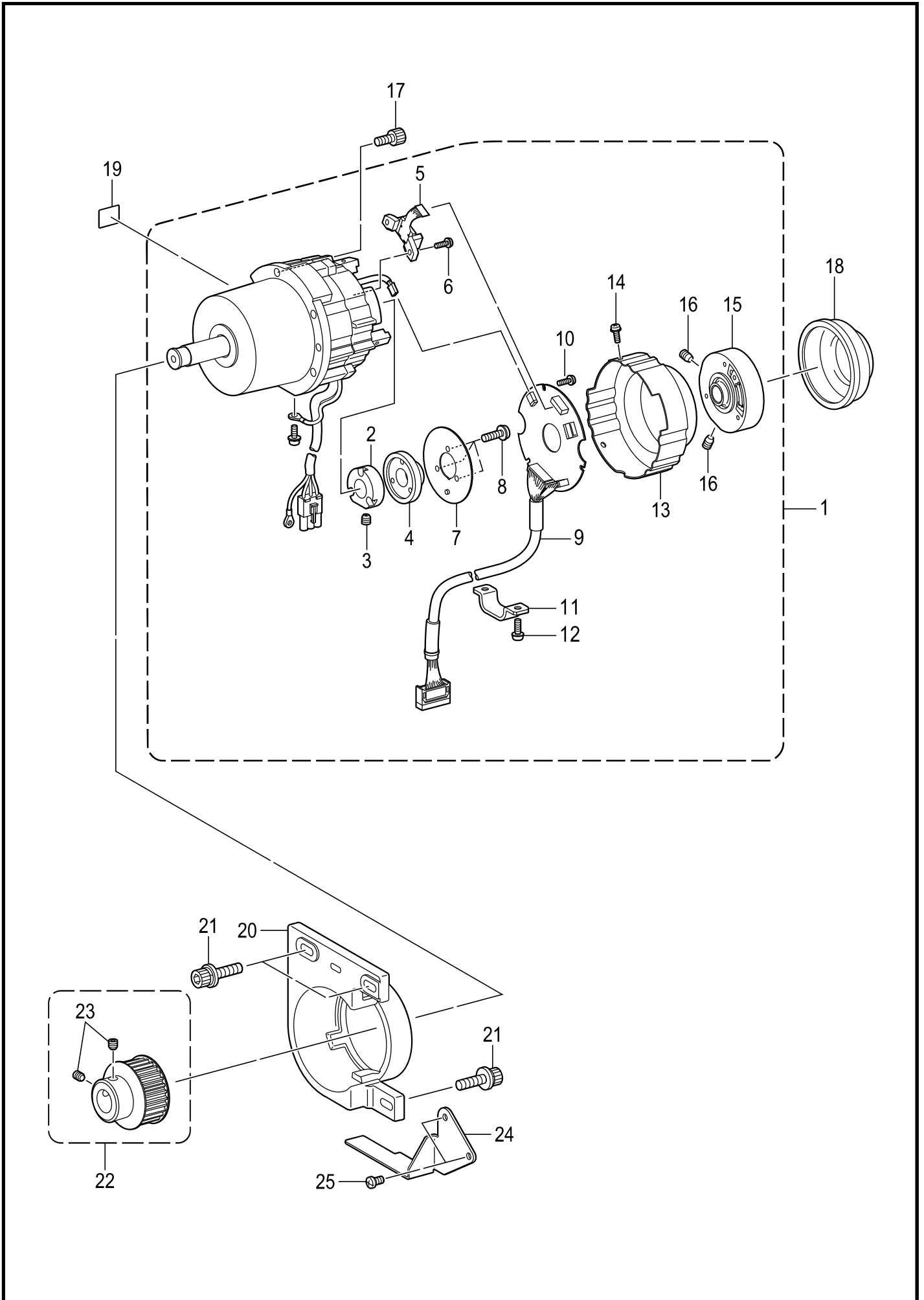
参照号	零部件序号	数量	零部件名称	NAME OF PARTS	RM
1	SA6530001	1	Y原点感应器	Y-POSITION SENSOR	
2	062300816	1	螺钉 M3X8	SCREW PAN M3X8	
3	S10243000	1	尼龙夹 NK-3N	CORD HOLDER, NK-3N	
4	0A5400806	1	螺栓(带垫圈) M4X8DB	SCREW PAN (S/P WASHER) M4X8	
5	SA6618001	1	DC风扇马达组件 40	DC FAN MOTOR ASSY 40	
6	SA5696001	1	风扇支架	FAN HOLDER	
7	0A5302005	4	螺栓(带垫圈) M3X20DB	SCREW PAN (S/P WASHER) M3X20	
8	018400836	2	螺栓 M4X8	BOLT SOCKET M4X8	
10	SA5729001	1	安全开关板	SAFETY SWITCH PLATE	
11	SA5730001	1	安全开关基座	SAFETY SWITCH BASE	
12	SA5731001	1	开关弹簧	SAFETY SWITCH SPRING	
13	SA5732001	1	开关手柄	SAFETY SWITCH LEVER	
14	SA6533001	1	头部开关组件	SWITCH ASSY MACHINE HEAD	
15	SA7293001	2	螺栓(带垫圈) M3X12	SCREW, PAN (S/P W) M3X12	
16	S04159000	1	线夹 1M	BAND, 1M	
17	018400836	2	螺栓 M4X8	BOLT SOCKET M4X8	
18	025040236	2	平垫圈 M4	WASHER PLAIN M 4	
19	525664000	1	电线夹 #6	CORD HOLDER #6	
20	0A5400806	1	螺栓(带垫圈) M4X8DB	SCREW PAN (S/P WASHER) M4X8	
21	SA5733001	1	电线压板	CORD HOLDER	
22	062400816	2	螺钉 M4X8	SCREW PAN M4X8	
23	SA5734201	1	切刀感应器组件	CUTTER SENSOR ASSY	
24	062400816	2	螺钉 M4X8	SCREW PAN M4X8	
25	340400001	1	线夹	BEAD BAND	
26	SA6531101	1	停止开关接线	STOP SWITCH HARNESS	
27	SA7488001	1	开关 HW1B-M211B	SWITCH HW1B-M211B	
28	SA5737001	1	开关罩	SWITCH COVER	
29	0A4400806	3	螺栓(带垫圈) M4X8DA	SCREW PAN (S/P WASHER) M4X8	
30	SA5738001	1	电线套	CORD BUSH	
31	625010000	1	尼龙夹 NK-2N	NYLON CLAMP NK-2N	
32	0A5400806	1	螺栓(带垫圈) M4X8DB	SCREW PAN (S/P WASHER) M4X8	
33	149547000	4	压线板	CORD HOLDER, 4N	
34	0A5400806	4	螺栓(带垫圈) M4X8DB	SCREW PAN (S/P WASHER) M4X8	
35	S10243000	1	尼龙夹 NK-3N	CORD HOLDER, NK-3N	
36	0A5400806	1	螺栓(带垫圈) M4X8DB	SCREW PAN (S/P WASHER) M4X8	
37	SA5740001	1	针摆感应器组件	ZIGZAG SENSOR ASSY	
38	SA5741001	1	感应器安装板	SENSOR SETTING PLATE	
39	062300816	1	螺钉 M3X8	SCREW PAN M3X8	
40	062400816	2	螺钉 M4X8	SCREW PAN M4X8	
41	228475000	5	电线夹 1.9X80	FASTENING BAND 1.9X80	
42	SA6532001	1	电线组件	CONNECT HARNESS ASSY	
43	SA6535001	1	面线电磁铁电线	UP SOLENOID HARNESS	
44	SA6536001	1	电磁铁电线	SOLENOID HARNESS	
45	SA5434001	1	接地线 700	GROUND WIRE 700	
46	SA6636001	1	粘链管 40X800	QUICK TUBE ASSY 40X800	
47	SA7119001	1	头部检出复合件	HEAD DETECTION UNIT ASSY	
49	SA5433001	1	接地线 40	GROUND WIRE 40	





W. 操作盘装置 / Operation panel mechanism

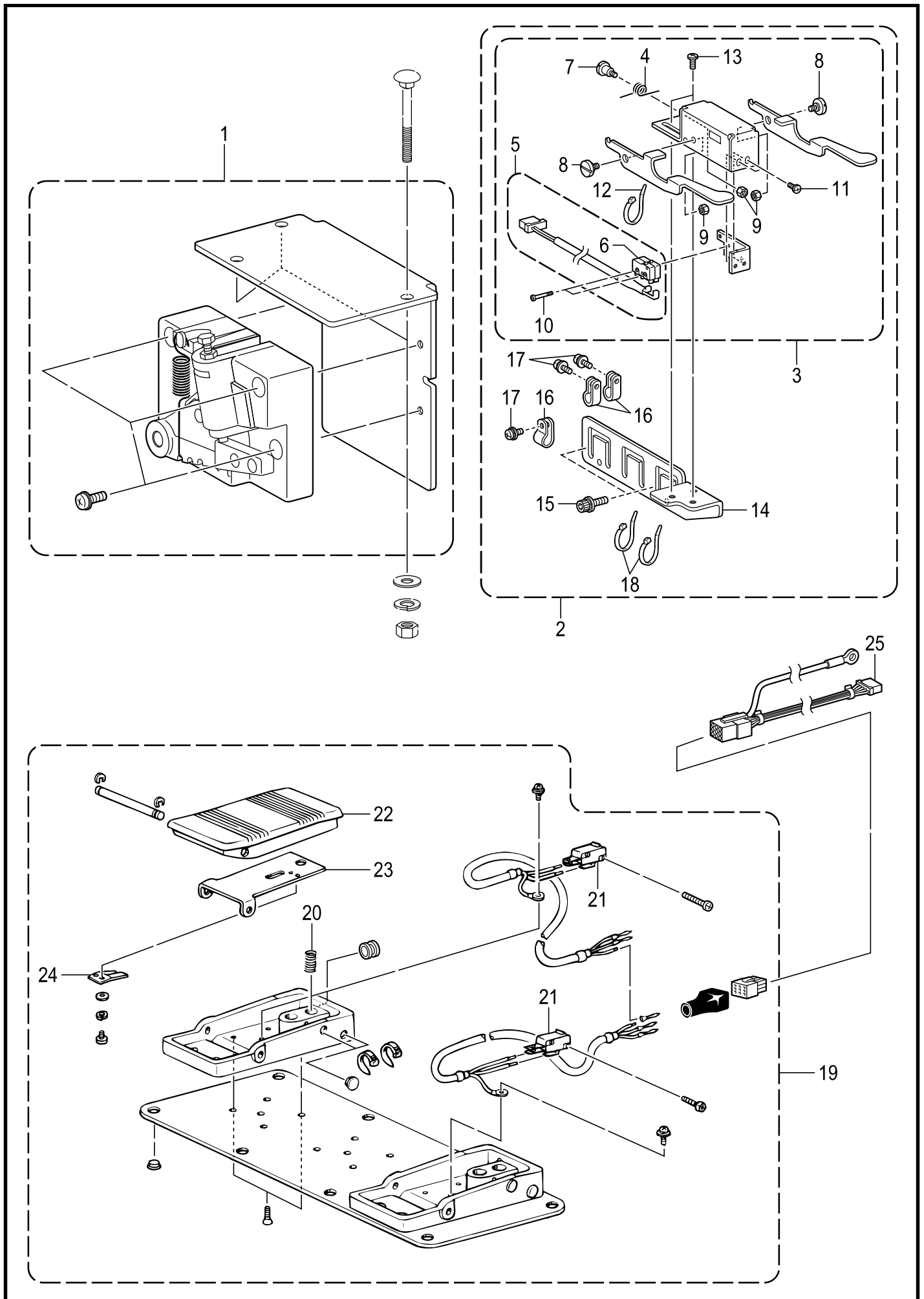
参照号	零部件序号	数量	零部件名称	NAME OF PARTS	RM
1	SA6547001	1	操作盘组件	OPERATION PANEL ASSY	
2	SA6550001	1	操作盘面板	PANEL SHEET	
3	SA5148001	1	操作盘基板组件	PCB ASSY PANEL	
4	SA5360001	1	灯光板组件	LIGHT PLATE ASSY	
5	SA6546001	1	操作盘接线	PANEL HARNESS	
6	0B0452006	4	圆头木螺钉 M4.5X20	WOOD SCREW ROUND M4.5X20	
7	J03974001	1	护灯罩	LAMP HOLDER	
8	J04146001	1	薄膜 75PBA	DIFFUSION SHEET 75PBA	



X. 马达装置 / Motor mechanism

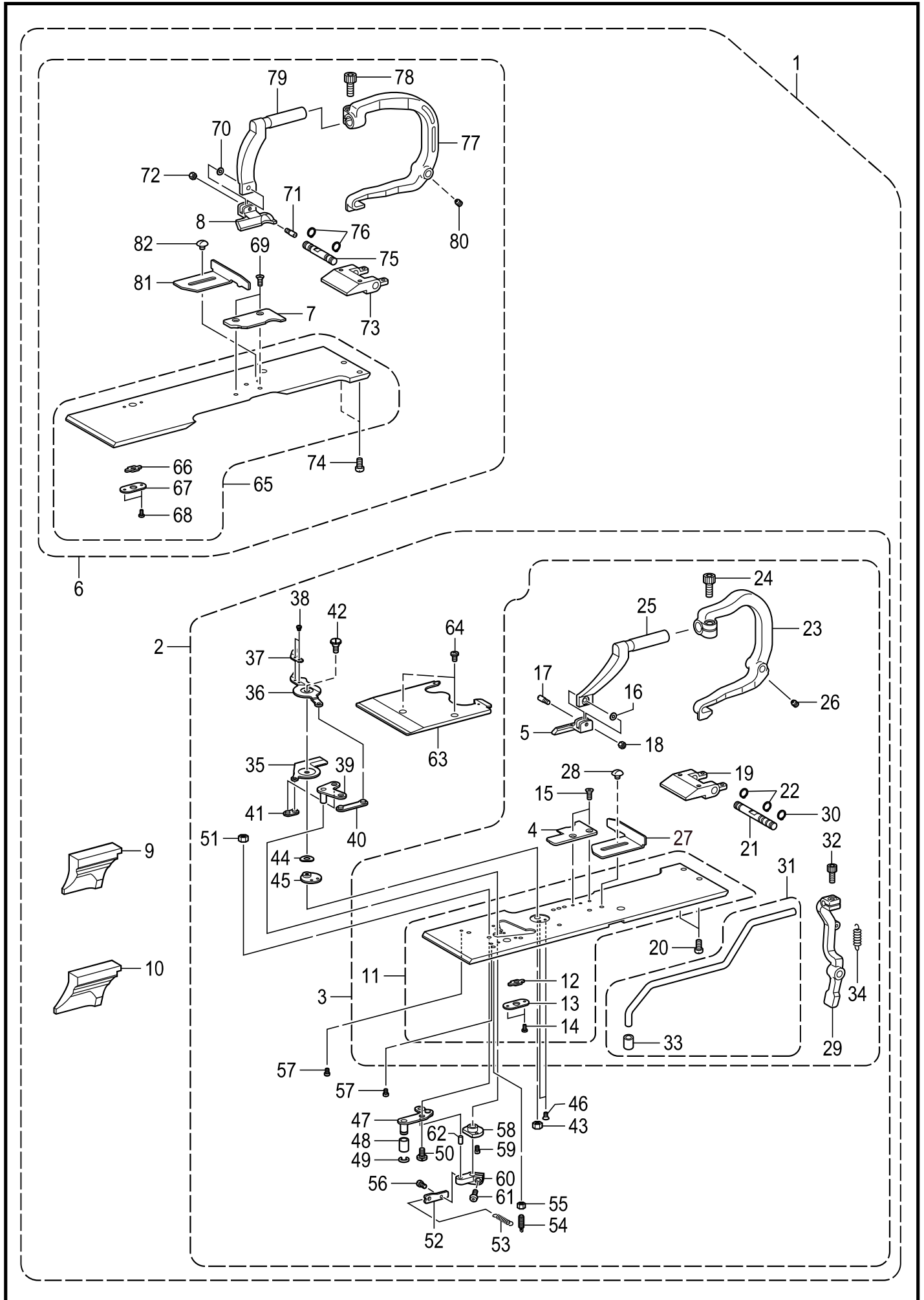
参照号	零部件序号	数量	零部件名称	NAME OF PARTS	RM
1	SA8435001	1	马达组件 CDD	MOTOR ASSY CDD HATOME	
2	J03955001	1	磁鼓 CDD	DRUM CDD	
3	014400632	2	螺钉 M4X6	SET SCREW SOCKET (CP) M4X6	
4	J03956001	1	磁铁 180P36	MAGNET 180P36	
5	J03957001	1	MR感应器组件 180P	MR SENSOR ASSY 180P	
6	0A4300806	2	螺栓(带垫圈) M3X8DA	SCREW PAN (S/P WASHER) M3X8	
7	J03958001	1	屏蔽板 CDD	SHIELD PLATE CDD	
8	0A4261006	3	螺栓(带垫圈) M2. 6X10DA	SCREW PAN (S/P WASHER) M2.6X10	
9	SA9113001	1	基板组件 ENC	ENC PCB ASSY HATOME	
10	0A5300606	3	螺栓(带垫圈) M3X6DB	SCREW PAN (S/P WASHER) M3X6	
11	J04230001	1	电线固定夹 CDD-HT	CORD HOLDER CDD-HT	
12	0A4401006	3	螺栓(带垫圈) M4X10DA	SCREW PAN (S/P WASHER) M4X10	
13	J04388001	1	编码器盖 430D	ENCODER COVER 430D	
14	0A4300806	3	螺栓(带垫圈) M3X8DA	SCREW PAN (S/P WASHER) M3X8	
15	J04303001	1	同步轮组件 430D	PULLEY HOLDER ASSY 430D	
16	014500632	2	螺钉 M5X6	SET SCREW SOCKET (CP) M5X6	
17	018501636	5	螺栓 M5X16	BOLT SOCKET M5X16	
18	SA7012001	1	马达罩	MOTOR COVER	
19	J03663001	1	高温标签 13X20	LABEL, HIGH TEMP. 13X20	
20	SA7013001	1	马达支架	MOTOR HOLDER	
21	S58636001	3	螺栓(带垫圈) M8X30	BOLT SOCKET (S/P WASHER)M8X30	
22	SA5548001	1	同步轮组件	TIMING PULLEY UNIT	
23	S23651001	2	固定螺钉 M6X6	SET SCREW SOCKET (FT) M6X6	
24	SA7014001	1	皮带导向	BELT GUIDE	
25	062400816	2	螺钉 M4X8	SCREW PAN M4X8	

Y. 踏板开关关系 / Foot switch pedal mechanism



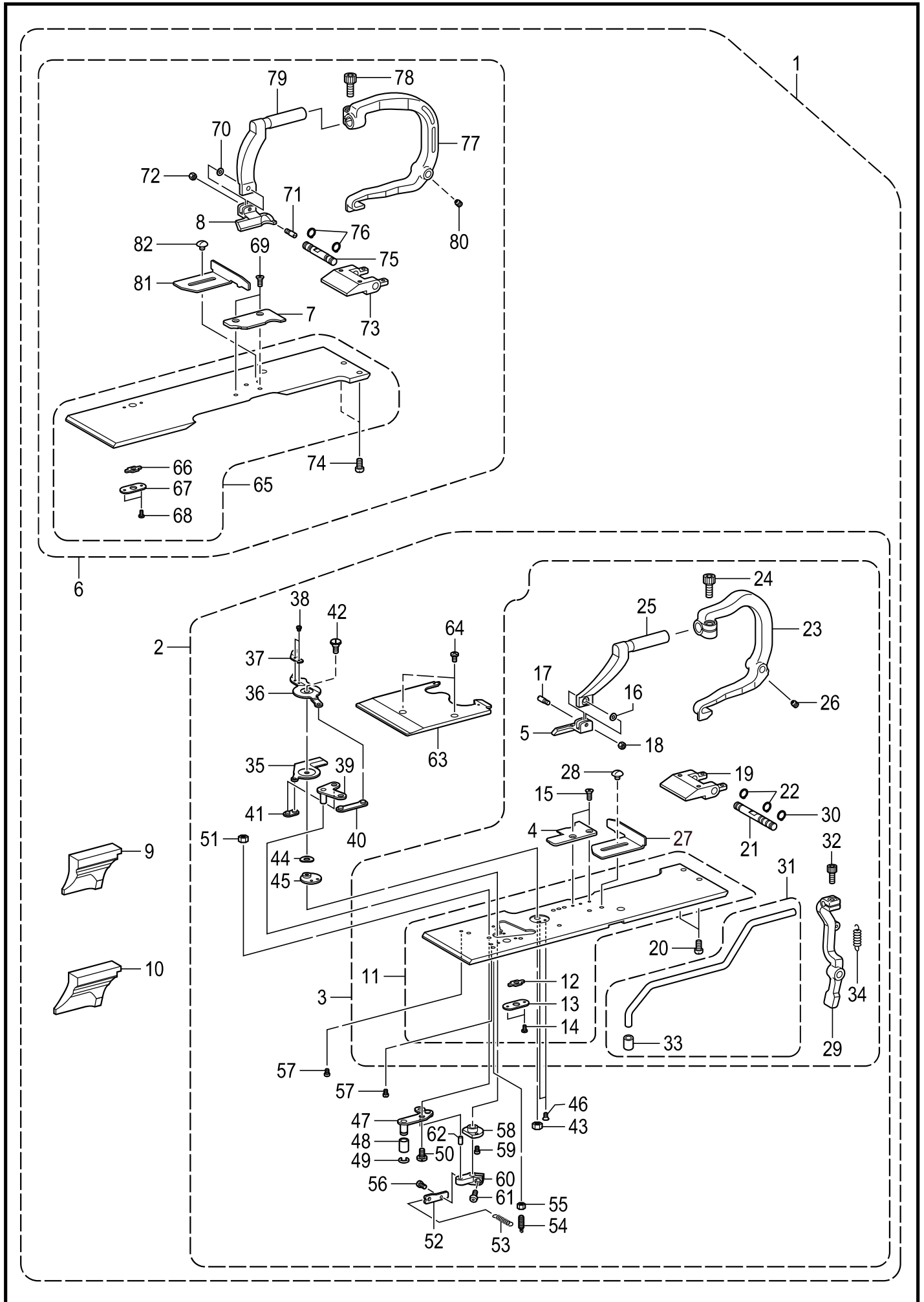
Y. 踏板开关关系 / Foot switch pedal mechanism

参照号	零部件序号	数量	零部件名称	NAME OF PARTS	RM
1	SA6567101	1	<用于脚踏板> 踏板复合件 B	<For treadle> TREADLE UNIT B ASSY	
2	SA7121001	1	<用于手动开关> 手动开关大组件	<For hand start switch> HAND START SWITCH UNIT	
3	SA7122001	1	手动开关组件	HAND START SWITCH ASSY	
4	S39914001	1	开关弹簧	SWITCH LEVER SPRING	
5	SA7123001	1	手动开关	HAND START SWITCH	
6	S02699001	2	微调开关	MICRO SWITCH	
7	S34922101	1	轴位螺钉 M4	SHOULDER SCREW M4	
8	S34966001	2	轴位螺钉 M4	SHOULDER SCREW M4	
9	021400202	3	六角螺母 M4	NUT 2 M4	
10	146124001	2	螺钉 SM2.38	SCREW, SM2.38	
11	060300616	2	螺钉 M3X6	SCREW BIND M3X6	
12	S04557000	1	电线夹 PLT1M	BAND, PLT1M	
13	060400816	2	螺钉 M4X8	SCREW BIND M4X8	
14	SA7124001	1	手动开关安装板	HAND SWITCH SETTING PLATE	
15	S55485001	2	螺拴(带垫圈) M5X12	BOLT SOCKET (S/P WASHER)M5X12	
16	S10243000	3	尼龙夹 NK-3N	CORD HOLDER, NK-3N	
17	0A5400806	3	螺栓(带垫圈) M4X8DB	SCREW PAN (S/P WASHER) M4X8	
18	228475000	2	电线夹 1.9X80	FASTENING BAND 1.9X80	
19	S42838301	1	<用于2连脚踏板> 2连踏板开关 2SW	<For 2-pedal foot switch> 2-PEDAL FOOT SWITCH 2	
20	S38170001	2	弹簧	FOOT PEDAL SPRING	
21	S36260000	2	开关 VX	PIN BUTTON MICRO SWITCH, VX	
22	S38174000	2	脚踏板	FOOT PEDAL	
23	S38175101	2	脚踏护板	PROTECTION PLATE PEDAL	
24	S38176101	2	弹簧板	SPRING, PLATE	
25	SA3784001	1	脚开关变换配线	CONVERSION HARNESS FOOT SW	



## AA1. 附属装置 / Attachment set

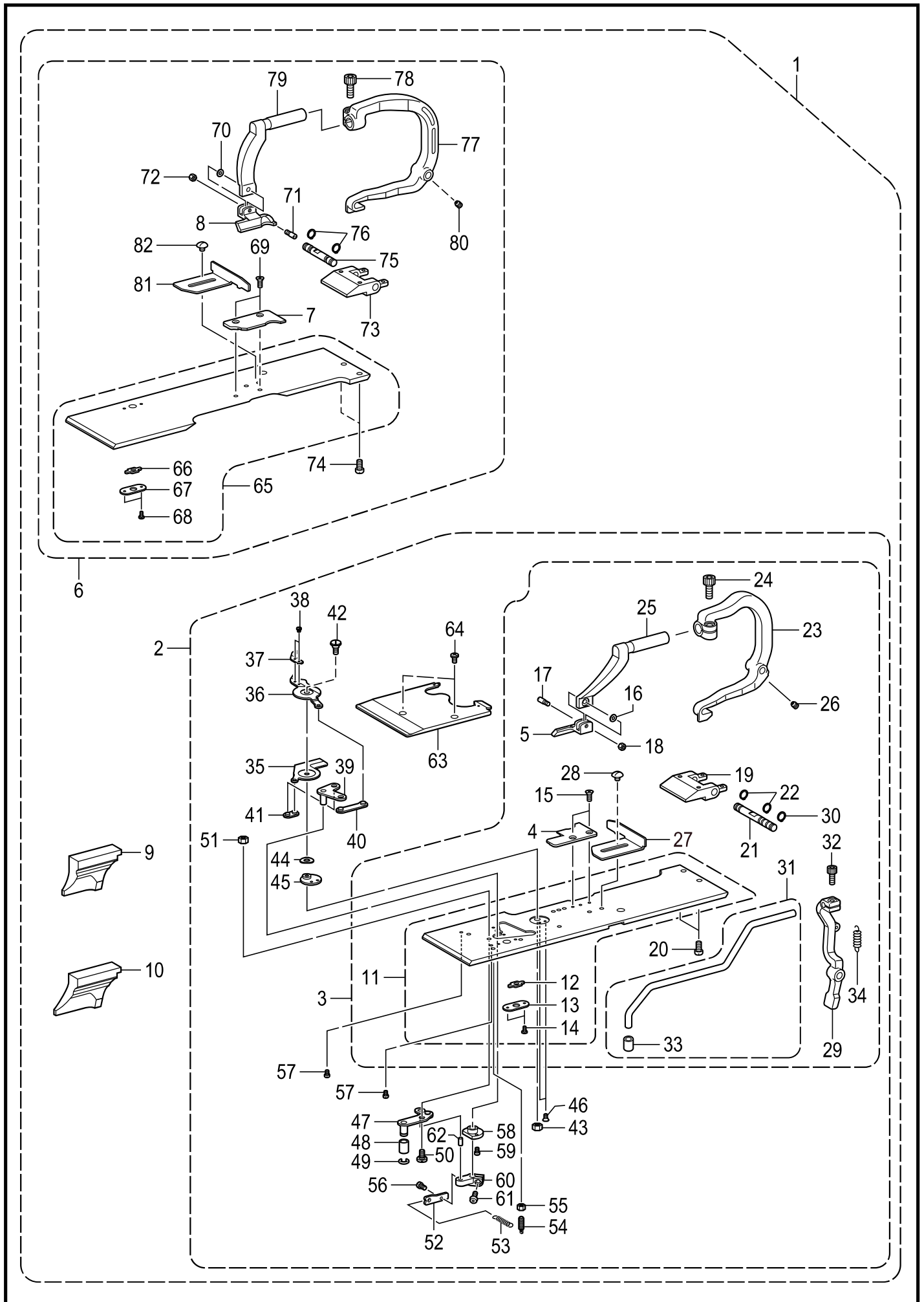
参照号	零部件序号	数量	零部件名称	NAME OF PARTS	RM
			<规格变换用零部件>	<For exchange parts>	
			<用于-02: L1422>	<For -02: L1422>	
1	SA7750101	1	规格变换零部件组 (L1422)	EXCHANGE PARTS SET L1422	
2	SA7748101	1	L1422-板R组件	L1422-PLATE R ASSY	
3	SA7728101	1	压脚板总组件 R1422	WORK CLAMP PLATE R1422 ASSY	
4	SA7102001	1	针板 L1422R	NEEDLE PLATE L1422R	
5	SA7092001	1	压布夹 R-JL1422	WORK CLAMP R-JL1422	
6	SA7749101	1	压脚板总组件 L1422	WORK CLAMP PLATE L1422 ASSY	
7	SA7097001	1	针板 L1422L	NEEDLE PLATE L1422L	
8	SA7087001	1	压布夹 L-JL1422	WORK CLAMP L-JL1422	
9	S37704001	1	气锤 S16	HAMMER, S16	
10	S37706001	1	气锤 S20	HAMMER, S20	
			<用于-02: L2230>	<For -02: L2230>	
1	SA7752101	1	规格变换零部件组 (L2230)	EXCHANGE PARTS SET L2230	
2	SA7751101	1	L2230-板R组件	L2230-PLATE R ASSY	
3	SA6728101	1	压脚板总组件 R2230	WORK CLAMP PLATE R2230 UNIT	
4	SA6731001	1	针板 L2230R	NEEDLE PLATE L 2230R	
5	SA6732001	1	压布夹 R-JL2230	WORK CLAMP R-JL2230	
6	SA6738101	1	压脚板总组件 L2230	WORK CLAMP PLATE L2230 UNIT	
7	SA6741001	1	针板 L2230L	NEEDLE PLATE L 2230L	
8	SA6742001	1	压布夹 L-JL2230	WORK CLAMP L-JL2230	
9	S37708001	1	气锤 S24	HAMMER, S24	
10	S42053001	1	气锤 S28	HAMMER, S28	
			<用于-02: L2634>	<For -02: L2634>	
1	SA7756101	1	规格变换零部件组 (L2634)	EXCHANGE PARTS SET L2634	
2	SA7754101	1	L2634-板R组件	L2634-PLATE R ASSY	
3	SA7753101	1	压脚板总组件 R2634	WORK CLAMP PLATE R2634 ASSY	
4	SA7103001	1	针板 L2634R	NEEDLE PLATE L2634R	
5	SA7093001	1	压布夹 R-JL2634	WORK CLAMP R-JL2634	
6	SA7755101	1	压脚板总组件 L2634	WORK CLAMP PLATE L2634 ASSY	
7	SA7098001	1	针板 L2634L	NEEDLE PLATE L2634L	
8	SA7088001	1	压布夹 L-JL2634	WORK CLAMP L-JL2634	
9	S37198001	1	气锤 28	HAMMER, 28	
10	S37200001	1	气锤 32	HAMMER, 32	
			<用于-02: L3442>	<For -02: L3442>	
1	SA7764101	1	规格变换零部件组 (L3442)	EXCHANGE PARTS SET L3442	
2	SA7758101	1	L3442-板R组件	L3442-PLATE R ASSY	
3	SA7757101	1	压脚板总组件 R3442	WORK CLAMP PLATE R3442 ASSY	
4	SA7104001	1	针板 L3442R	NEEDLE PLATE L3442R	
5	SA7094001	1	压布夹 R-JL3442	WORK CLAMP R-JL3442	
6	SA7762101	1	压脚板总组件 L3442	WORK CLAMP PLATE L3442 ASSY	
7	SA7099001	1	针板 L3442L	NEEDLE PLATE L3442L	
8	SA7089001	1	压布夹 L-JL3442	WORK CLAMP L-JL3442	
9	S37202001	1	气锤 36	HAMMER, 36	
10	SA7106001	1	气锤 42	HAMMER 42	
			<用于-02: L1826>	<For -02: L1826>	
1	SA7771101	1	规格变换零部件组 (L1826)	EXCHANGE PARTS SET L1826	
2	SA7768101	1	L1826-板R组件	L1826-PLATE R ASSY	
3	SA7187101	1	压脚板总组件 R1826	WORK CLAMP PLATE R1826 ASSY	
4	SA7105001	1	针板 L1826R	NEEDLE PLATE L1826R	
5	SA7095001	1	压布夹 R-JL1826	WORK CLAMP R-JL1826	
6	SA7186101	1	压脚板总组件 L1826	WORK CLAMP PLATE L1826 ASSY	
7	SA7100001	1	针板 L1826L	NEEDLE PLATE L1826L	
8	SA7090001	1	压布夹 L-JL1826	WORK CLAMP L-JL1826	
9	S37706001	1	气锤 S20	HAMMER, S20	
10	S37708001	1	气锤 S24	HAMMER, S24	





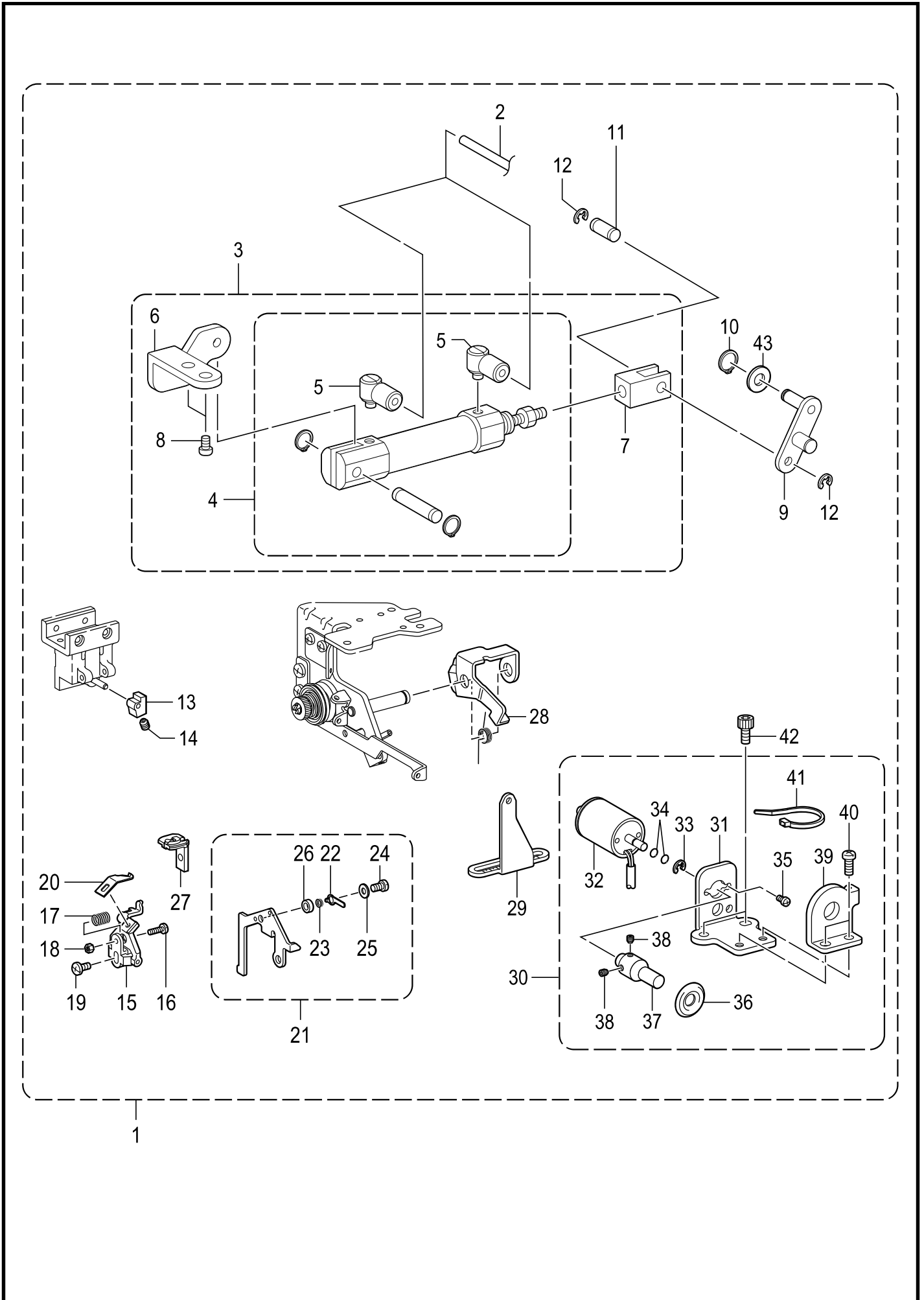
## AA1. 附属装置 / Attachment set

参照号	零部件序号	数量	零部件名称	NAME OF PARTS	RM
11	SA6729001	1	压布板组件 JR	WORK CLAMP PLATE JR UNIT	
12	S35315001	1	角块	OPENING SLIDE BLOCK	
13	S35316001	1	角块支撑板	SLIDE BLOCK SUPPORT PLATE	
14	060020416	2	螺钉 M2X4	SCREW BIND M2X4	
15	S06696004	2	螺钉 M3X6	SCREW, FLAT M3X6	
16	S35236000	1	垫圈 3.2	WASHER, BENDING 3.2	
17	S35235001	1	支架销	SUPPORT PIN, CLAMP	
18	021300306	1	螺母 M3	NUT 3 M3	
19	SA5560001	1	夹轴承受板	CLAMP SHAFT HOLDER	
20	062400816	2	螺钉 M4X8	SCREW PAN M4X8	
21	SA6733001	1	支点轴 J	CLAMP FULCRUM SHAFT J	
22	048060142	2	轴用挡圈 C6	RETAINING RING EXTERNAL C6	
23	SA5585101	1	夹杆 R	CLAMP LEVER R	
24	018501436	1	螺栓 M5X14	BOLT SOCKET M5X14	
25	SA6734101	1	夹臂 R-J	CLAMP ARM R-J	
26	014400536	2	螺钉 M4X5	SET SCREW SOCKET(CP) M4X5	
27	SA7550001	1	布挡板 R	CLOTH GUIDE R	
28	S35326101	1	螺钉 M3.5	SCREW M3.5	
29	SA6735001	1	辅助压脚臂	AUX CLAMP ARM	
30	048060142	1	轴用挡圈 C6	RETAINING RING EXTERNAL C6	
31	SA9131001	1	辅助压杆组件	AUX CLAMP ASSY	
32	018401036	1	螺栓 M4X10	BOLT SOCKET M4X10	
33	S05356000	1	扣夹 A	BUTTON CLAMP, A	
34	SA6737001	1	回复弹簧	SPRING	
35	SA6988001	1	动刀 R	MOVABLE KNIFE R	
36	SA6989001	1	动刀 L	MOVABLE KNIFE L	
37	SA6990101	1	挡线器	THREAD HANDLER	
38	153787001	2	螺钉 SM2.38	SCREW, SM2.38	
39	SA6991001	1	动刀驱动板	MOVABLE KNIFE DRIVING PLATE	
40	SA6992001	1	切线连接组件 A	THREAD TRIMMER LINK A ASSY	
41	SA6994001	1	切线连接组件 B	THREAD TRIMMER LINK B ASSY	
42	S37660101	1	轴位螺钉 M4	SHOULDER SCREW, M4	
43	021400206	1	六角螺母 M4	NUT 2 M4	
44	S37654000	1	波纹垫圈	WAVE WASHER	
45	S37655101	1	切刀支撑圈	KNIFE SUPPORT WASHER	
46	141542001	2	螺钉 3.18	SCREW 3.18	
47	SA6996001	1	切线连接杆组件 J	THREAD TRIMMER L-LEVER J ASSY	
48	SA7778001	1	连接杆滚轮	LINK LEVER ROLLER	
49	137191051	1	挡圈	STOP RING	
50	SA5693001	1	轴位螺钉 M4	SHOULDER SCREW M4	
51	021400306	1	六角螺母 M4	NUT 3 M4	
52	SA6998101	1	弹簧挂钩	SPRING HOOK	
53	SA6999101	1	切线弹簧	THREAD TRIMMER SPRING	
54	S34902001	1	弹簧挂钩	SPRING HOOK	
55	021350106	1	螺母 M3.5	NUT 1 M3.5	
56	062260406	1	螺钉 M2.6X4	SCREW PAN M2.6X4	
57	062300416	2	螺钉 M3X4	SCREW PAN M3X4	
58	SA7001001	1	切线臂管套	BUSH TR TRIMMER ARM	
59	062260516	2	螺钉 M2.6X5	SCREW PAN M2.6X5	
60	SA7002101	1	切线杆臂 B	THREAD TRIMMER LEVER ARM B	
61	S21716001	1	螺钉 M4X10	SCREW, BUTTON HEAD M4X10	
62	S37858000	1	针销 4X8	NEEDLE PIN, 4X8	
63	SA7003001	1	压板 JU	WORK CLAMP PLATE JU	
64	060400516	2	螺钉 M4X5	SCREW BIND M4X5	
65	SA6739001	1	压布板组件 JL	WORK CLAMP PLATE JL ASSY	
66	S35315001	1	角块	OPENING SLIDE BLOCK	
67	S35316001	1	角块支撑板	SLIDE BLOCK SUPPORT PLATE	
68	060020416	2	螺钉 M2X4	SCREW BIND M2X4	
69	S06696004	2	螺钉 M3X6	SCREW, FLAT M3X6	
70	S35236000	1	垫圈 3.2	WASHER, BENDING 3.2	
71	S35235001	1	支架销	SUPPORT PIN, CLAMP	
72	021300306	1	螺母 M3	NUT 3 M3	
73	SA5560001	1	夹轴承受板	CLAMP SHAFT HOLDER	



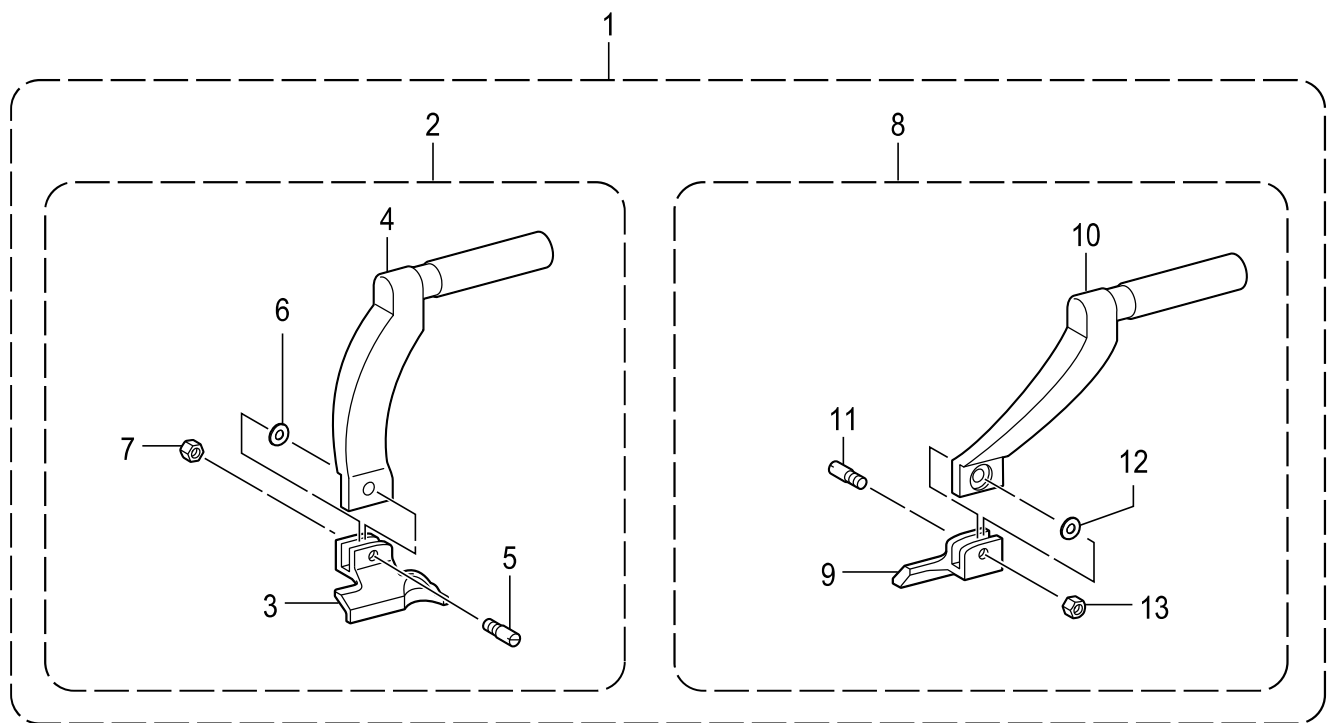
## AA1. 附属装置 / Attachment set

参照号	零部件序号	数量	零部件名称	NAME OF PARTS	RM
74	062400816	2	螺钉 M4X8	SCREW PAN M4X8	
75	SA5674001	1	支点轴	CLAMP FULCRUM SHAFT	
76	048060142	2	轴用挡圈 C6	RETAINING RING EXTERNAL C6	
77	SA5671101	1	夹杆 L	CLAMP LEVER L	
78	018501436	1	螺栓 M5X14	BOLT SOCKET M5X14	
79	SA6743101	1	夹臂 L-J	CLAMP ARM L-J	
80	014400536	2	螺钉 M4X5	SET SCREW SOCKET(CP) M4X5	
81	SA7551001	1	布挡板 L	CLOTH GUIDE L	
82	S35326101	1	螺钉 M3.5	SCREW M3.5	



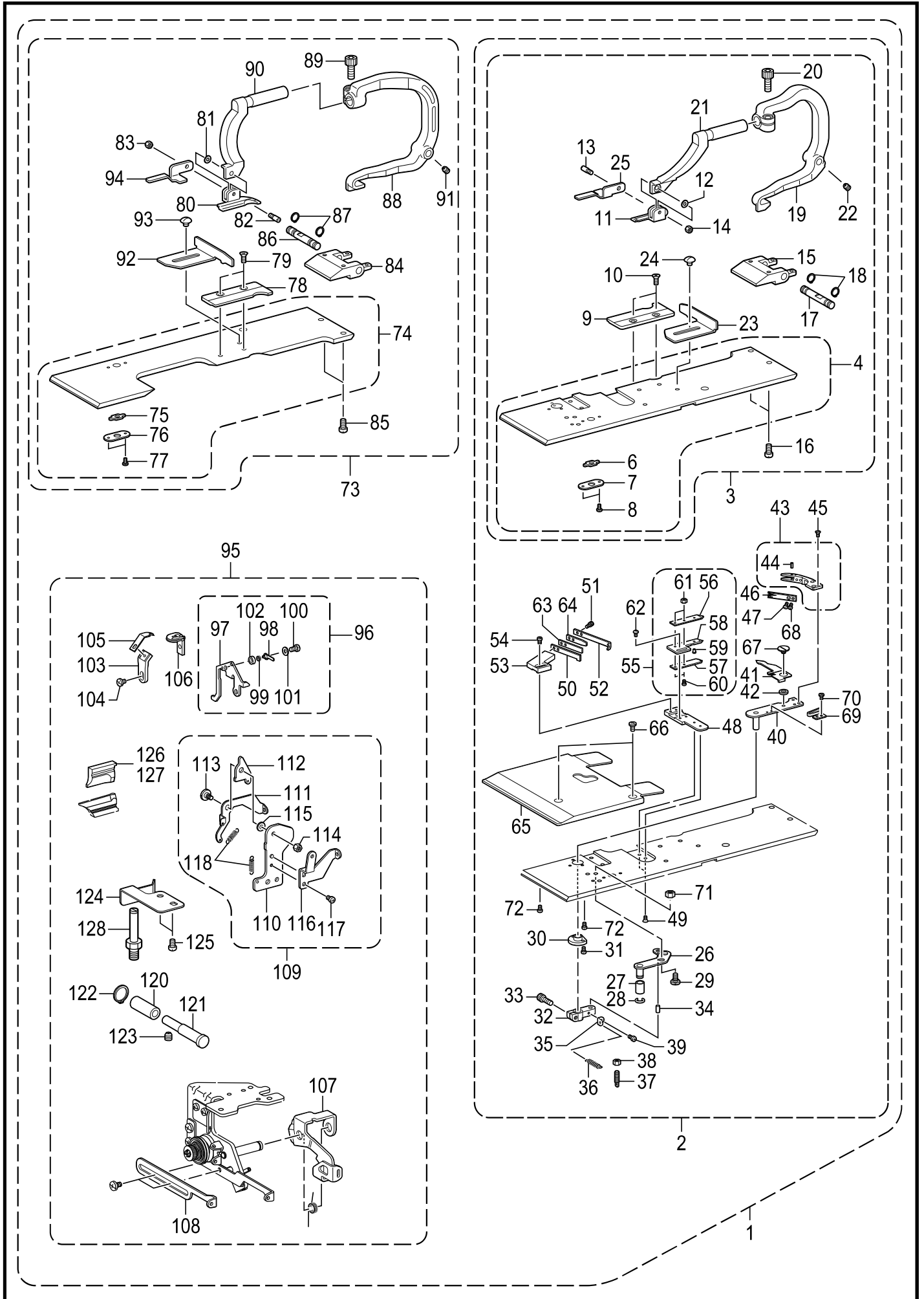
## AA2. 附属装置 / Attachment set

参照号	零部件序号	数量	零部件名称	NAME OF PARTS	RM
			<规格变换用零部件> <用于 -01变更为 -02规格时>	<For exchange parts> <Exchange parts from -01 to -02>	
1	SA7773001	1	规格变换零部件组(-2)	EXCHANGE PARTS SET -2	
2	SA7131001	2	空气管 4X2.5-150	AIR TUBE 4X2.5-150	
3	SA6718001	1	辅助压脚气缸组件	AUX CLAMP C-SUPPORT ASSY	
4	SA6719001	1	气缸组件 10X15	CYLINDER ASSY 10X15	
5	S12150000	2	管接头 M-5HL-4	TUBE ELBOW, M-5HL-4	
6	SA6720001	1	辅助压脚 S 支架	AUX CLAMP S HOLDER	
7	S35351001	1	气缸杆	CYLINDER ROD	
8	062400816	2	螺钉 M4X8	SCREW PAN M4X8	
9	SA6721001	1	气缸杆销	AUX CLAMP CONNECTING ROD ASSY	
10	048050142	1	轴用挡圈 C5	RETAINING RING EXTERNAL C5	
11	SA6726001	1	气缸连杆销	CYLINDER ROD PIN	
12	048030342	2	挡圈 E3	RETAINING RING E3	
13	SA6800001	1	气锤垫块	HAMMER SPACER	
14	014400536	1	螺钉 M4X5	SET SCREW SOCKET (CP) M4X5	
15	SA6868201	1	底线压板组件 J	LOWER THREAD PRESSER J ASSY	
16	S37724001	1	螺钉 SM2.38	SCREW, SM2.38	
17	S37725001	1	底线压簧	COMPRESSION SPRING	
18	S47932001	1	螺母 SM2.38-56	NUT, SM2.38-56	
19	060300816	1	螺钉 M3X8	SCREW BIND M3X8	
20	S37723101	1	上动刀 B	UPPER MOVABLE KNIFE, B	
21	SA6873001	1	芯线导向组件 C-J	GIMP THREAD GUIDE C-J ASSY	
22	SA7613001	1	芯线压板	GIMP THREAD CLAMP PLATE	
23	SA7614001	1	芯线调节弹簧	GIMP THREAD TENSION SPRING	
24	062300506	1	螺钉 M3X5	SCREW PAN M3X5	
25	025030236	1	平垫圈 M3	WASHER PLAIN M 3	
26	SA7615001	1	管套 3	COLLAR 3	
27	S37752001	1	针孔板 1.8-J	THROAT PLATE, 1.8-J	
28	SA7067201	1	底线松线板	L-THREAD RELEASE PLATE	
29	SA6982001	1	芯线导向 J	GIMP THREAD GUIDE J	
30	SA6983101	1	芯线夹组件	GIMP THREAD CLAMP ASSY	
31	SA6984001	1	芯线夹板	GIMP THREAD CLAMP PLATE	
32	SA6537001	1	芯线电磁铁	GIMP THREAD SOLENOID	
33	048025346	1	挡圈 E2.5	RETAINING RING E2.5	
34	081003870	2	O形圈 S3	O RING S3	
35	062260406	2	螺钉 M2.6X4	SCREW PAN M2.6X4	
36	145446001	1	夹线盘	DISC, TENSION	
37	SA6986101	1	芯线轴	GIMP THREAD SHAFT	
38	014300332	2	螺钉 M3X3	SET SCREW SOCKET (CP) M3X3	
39	SA6987001	1	芯线夹	GIMP THREAD CLAMP	
40	062400816	2	螺钉 M4X8	SCREW PAN M4X8	
41	S04557000	1	电线夹 PLT1M	BAND PLT1M	
42	018400836	2	螺栓 M4X8	BOLT SOCKET M4X8	
43	025060236	1	平垫圈 M6	WASHER PLAIN M 6	



## AA3. 附属装置 / Attachment set

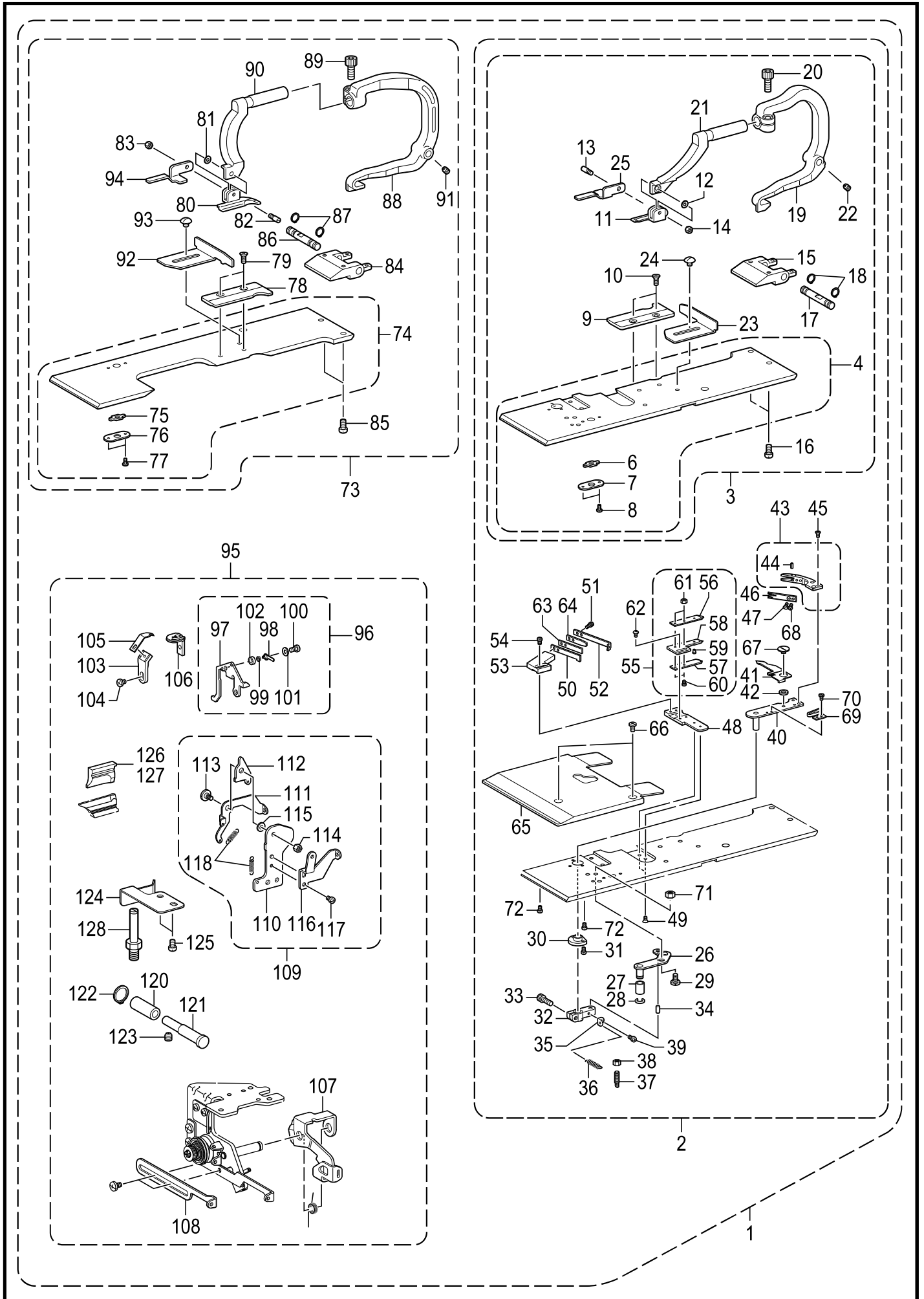
参照号	零部件序号	数量	零部件名称	NAME OF PARTS	RM
			<b>&lt;用于腰带锁孔 L26&gt;</b>	<b>&lt;For waist belt presser L26&gt;</b>	
1	SA7777001	1	压布夹复合件 L26W	WORK CLAMP SET L26W	
2	SA7775001	1	压布夹组件 L-L26W	WORK CLAMP ASSY L-L26W	
3	S43408001	1	压布夹 L-L3W	WORK CLAMP, L-L3W	
4	SA7726101	1	夹臂 L-JW	CLAMP ARM L-JW	
5	S35235001	1	支架销	SUPPORT PIN, CLAMP	
6	S35236000	1	垫圈 3.2	WASHER, BENDING 3.2	
7	021300306	1	螺母 M3	NUT 3 M3	
8	SA7776001	1	压布夹组件 R-L26W	WORK CLAMP ASSY R-L26W	
9	S43409001	1	压布夹 R-L3W	WORK CLAMP, R-L3W	
10	SA7727101	1	夹臂 R-JW	CLAMP ARM R-JW	
11	S35235001	1	支架销	SUPPORT PIN, CLAMP	
12	S35236000	1	垫圈 3.2	WASHER, BENDING 3.2	
13	021300306	1	螺母 M3	NUT 3 M3	
			<b>&lt;用于腰带锁孔 L30&gt;</b>	<b>&lt;For waist belt presser L30&gt;</b>	
1	SA7781001	1	压布夹复合件 L30W	WORK CLAMP SET L30W	
2	SA7779001	1	压布夹组件 L-L30W	WORK CLAMP ASSY L-L30W	
3	S43410001	1	压布夹 L-L4W	WORK CLAMP, L-L4W	
4	SA7726101	1	夹臂 L-JW	CLAMP ARM L-JW	
5	S35235001	1	支架销	SUPPORT PIN, CLAMP	
6	S35236000	1	垫圈 3.2	WASHER, BENDING 3.2	
7	021300306	1	螺母 M3	NUT 3 M3	
8	SA7780001	1	压布夹组件 R-L30W	WORK CLAMP ASSY R-L30W	
9	S43411001	1	压布夹 R-L4W	WORK CLAMP, R-L4W	
10	SA7727101	1	夹臂 R-JW	CLAMP ARM R-JW	
11	S35235001	1	支架销	SUPPORT PIN, CLAMP	
12	S35236000	1	垫圈 3.2	WASHER, BENDING 3.2	
13	021300306	1	螺母 M3	NUT 3 M3	





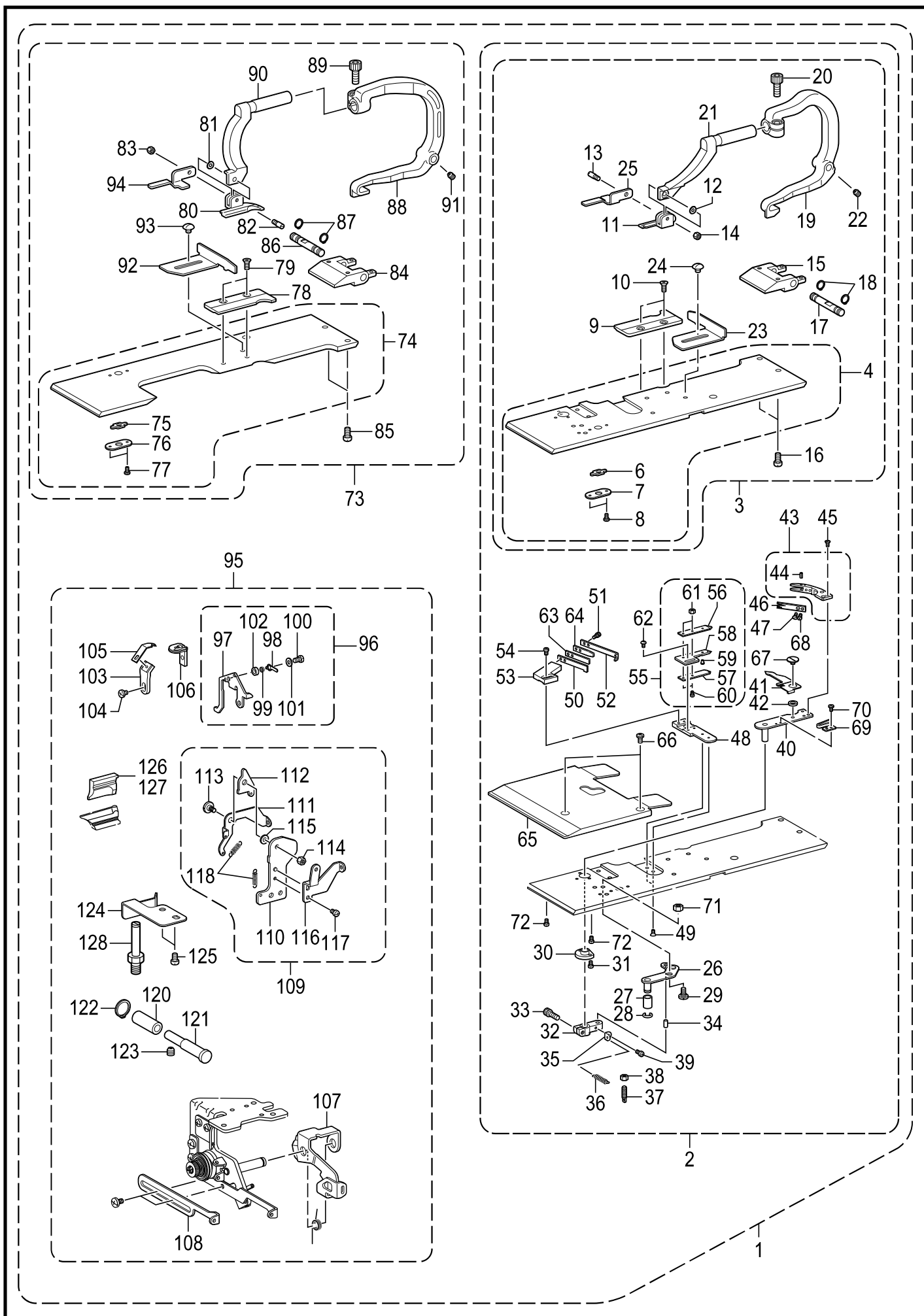
## AA4. 附属装置 / Attachment set

参照号	零部件序号	数量	零部件名称	NAME OF PARTS	RM
			<规格变换用零部件> <用于 -02变更为 -01规格时>	<For exchange parts> <Exchange parts from -02 to -01>	
1	SA7784101	1	规格变换零部件组 01	EXCHANGE PARTS SET 01	
2	SA7782101	1	板RS组件(-01)	PLATE ASSY RS 01	
3	SA7055101	1	压脚板总组件 RS30	WORK CLAMP PLATE RS30 UNIT	
4	SA7056001	1	压布板组件 RS	WORK CLAMP PLATE RS ASSY	
6	S35315001	1	角块	OPENING SLIDE BLOCK	
7	S35316001	1	角块支撑板	SLIDE BLOCK SUPPORT PLATE	
8	060020416	2	螺钉 M2X4	SCREW BIND M2X4	
9	SA5673001	1	针板 R-42	NEEDLE PLATE R-42	
10	S06696004	2	螺钉 M3X6	SCREW, FLAT M3X6	
11	S39932101	1	压布夹 R-30	CLOTH WORK CLAMP, R-30	
12	S35236000	1	垫圈 3.2	WASHER, BENDING 3.2	
13	S35235001	1	支架销	SUPPORT PIN, CLAMP	
14	021300306	1	螺母 M3	NUT 3 M3	
15	SA5560001	1	夹轴承受板	CLAMP SHAFT HOLDER	
16	062400816	2	螺钉 M4X8	SCREW PAN M4X8	
17	SA5674001	1	支点轴	CLAMP FULCRUM SHAFT	
18	048060142	2	轴用挡圈 C6	RETAINING RING EXTERNAL C6	
19	SA5585101	1	夹杆 R	CLAMP LEVER R	
20	018501436	1	螺栓 M5X14	BOLT SOCKET M5X14	
21	SA5576001	1	夹臂 R	CLAMP ARM R	
22	014400536	2	螺钉 M4X5	SET SCREW SOCKET(CP) M4X5	
23	SA7550001	1	布挡板 R	CLOTH GUIDE R	
24	S35326101	1	螺钉 M3.5	SCREW M3.5	
25	S35330001	1	压料板 R	WORK CLAMP PLATE, R	
26	SA7526001	1	切线连接杆组件	THREAD TRIMMER LINK LEVER ASSY	
27	SA7778001	1	连接杆滚轮	LINK LEVER ROLLER	
28	137191051	1	挡圈	STOP RING	
29	SA5693001	1	轴位螺钉 M4	SHOULDER SCREW M4	
30	S34906100	1	切线臂管套	BUSH TR TRIMMER ARM	
31	062260516	2	螺钉 M2.6X5	SCREW PAN M2.6X5	
32	S34905101	1	切线杆臂	THREAD CUTTER LEVER ARM	
33	018401036	1	螺栓 M4X10	BOLT SOCKET M4X10	
34	S37858000	1	针销 4X8	NEEDLE PIN, 4X8	
35	S34903001	1	弹簧挂钩	SPRING HOOK	
36	S34883001	1	切线弹簧	SPRING, EXTENSION	
37	S34902001	1	弹簧挂钩	SPRING HOOK	
38	021350106	1	螺母 M3.5	NUT 1 M3.5	
39	062260406	1	螺钉 M2.6X4	SCREW PAN M2.6X4	
40	S34901001	1	切线臂	THREAD TRIMMER ARM	
41	S34900001	1	分线板	OPENER, ;T-NIPPER	
42	153219001	1	动刀管套	COLLAR, ;MOVABLE KNIFE	
43	S34899001	1	动刀组件	MOVABLE KNIFE ASSY	
44	S34898001	1	弹簧销 1.4	PIN, SPRING 1.4	
45	141542001	3	螺钉 3.18	SCREW 3.18	
46	SA7076001	1	挡线器	THREAD HANDLER	
47	S01694001	1	螺钉 SM2.38X4	SCREW, FLAT SM2.38X4	
48	S34896001	1	定刀台座	BRACKET, ;FIXED KNIFE	
49	061300416	2	螺钉 M3X4	SCREW FLAT M3X4	
50	S34895001	1	定刀	FIXED KNIFE	
51	018260832	2	螺栓 M2.6X8	BOLT, SOCKET M2.6X8	
52	S34894001	1	线导向板	THREAD GUIDE PLATE	
53	S34893001	1	定刀安装板	SETTING BRACKET FIXED KNIFE	
54	062300512	2	螺钉 M3X5	SCREW PAN M3X5	
55	S34889101	1	夹线组件	THREAD NIPPER ASSY	
56	S34890001	1	夹线 U	THREAD NIPPER, U	
57	S34891101	1	夹线 D	THREAD NIPPER, D	
58	S34888101	1	夹线 M	THREAD NIPPER, M	
59	S34892001	1	分线销	OPENER PIN	
60	062020416	2	螺钉 M2X4	SCREW PAN M2X4	
61	021020106	2	螺母 M2	NUT 1 M2	



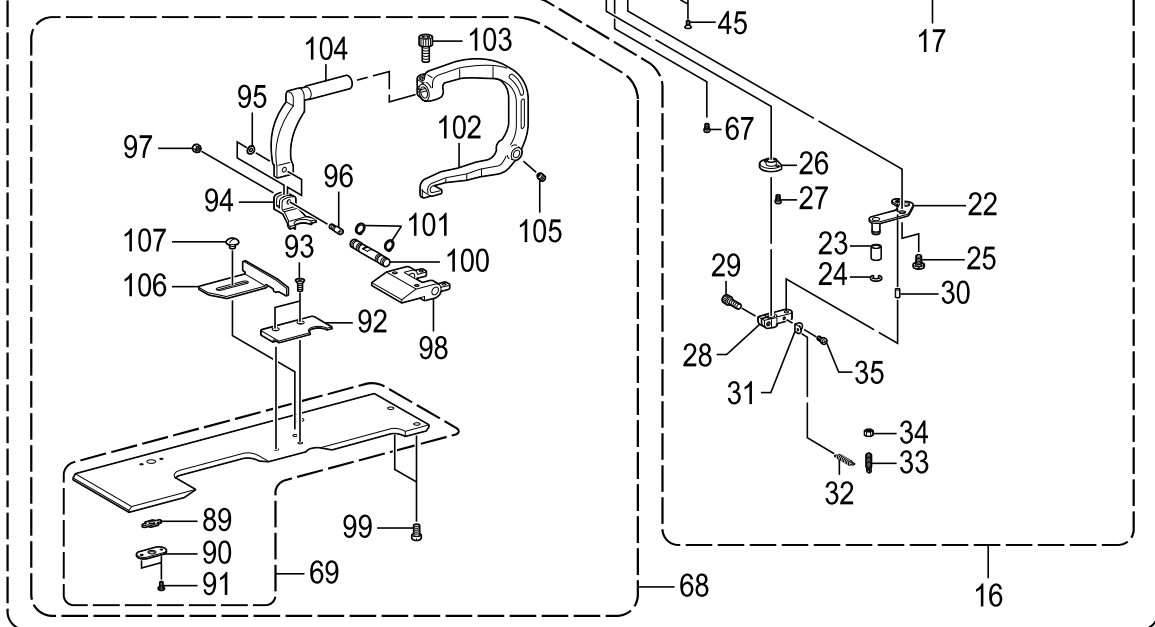
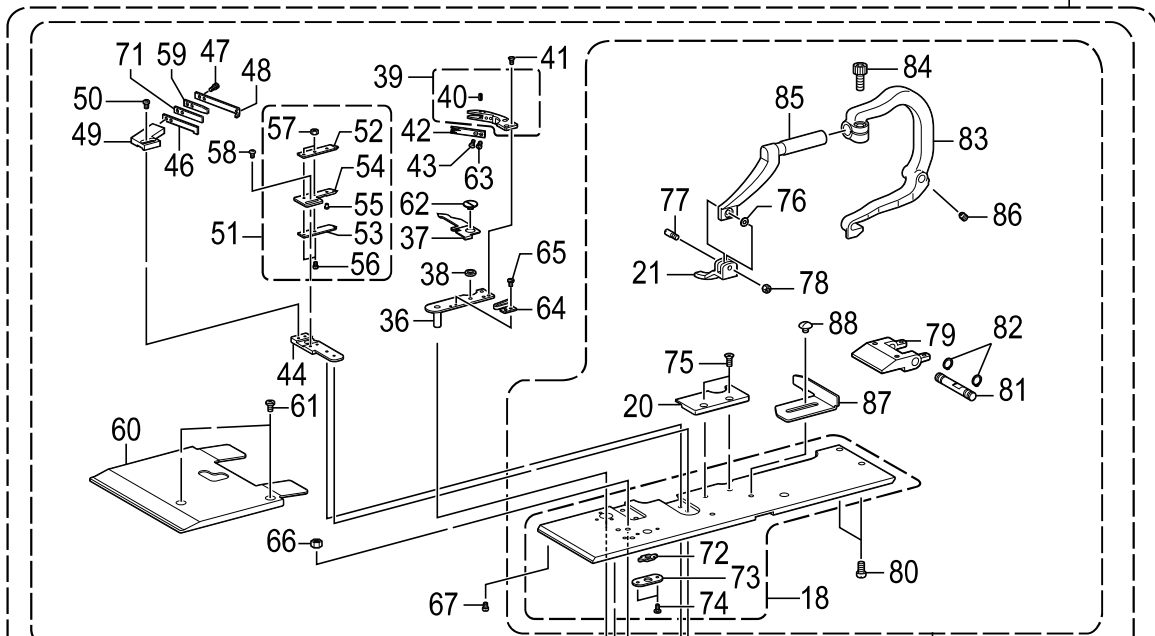
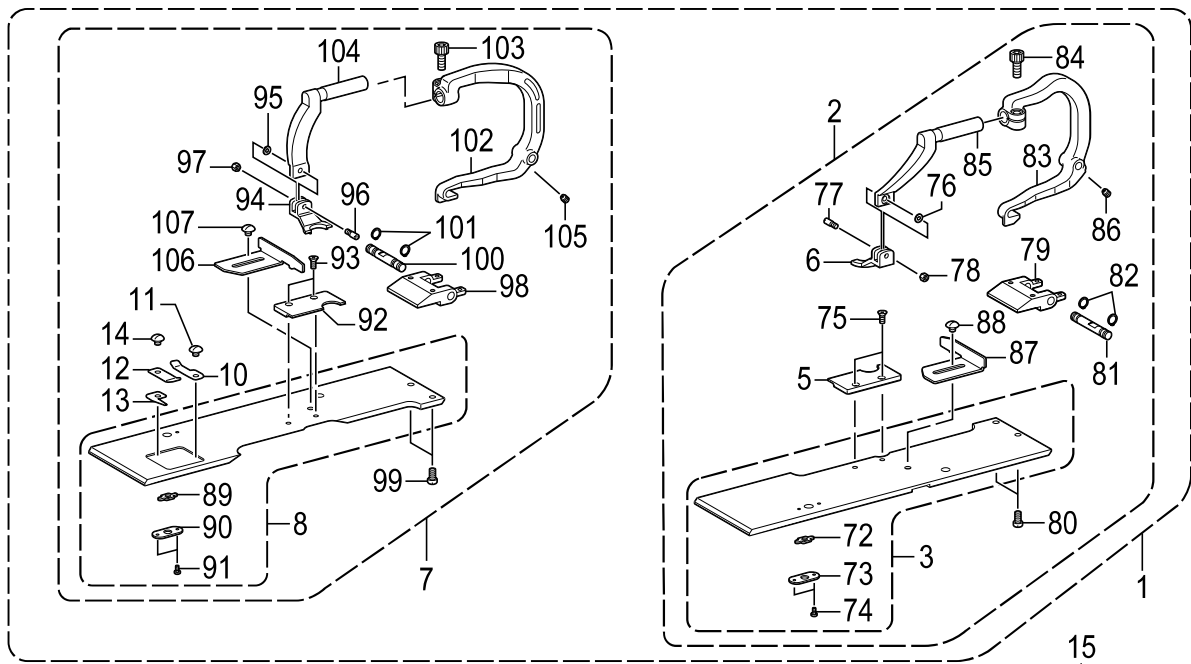
## AA4. 附属装置 / Attachment set

参照号	零部件序号	数量	零部件名称	NAME OF PARTS	RM
62	542515001	2	螺母 M2.6X3.5	SCREW M2.6X3.5	
63	S34887001	1	定刀板弹簧	SPRING, PLATE ;F-KNIFE	
64	S34886001	1	定刀板弹簧 U	SPRING, U PLATE ;F-KNIFE	
65	SA7077001	1	压板 U	PRESSER PLATE U	
66	060400516	2	螺钉 M4X5	SCREW BIND M4X5	
67	152904001	1	螺钉 SM4.37	SCREW, SM4.37	
68	104336003	1	螺钉 SM2.38	SCREW, SM2.38	
69	S34884000	1	分线器弹簧	OPENER SPRING	
70	060630312	2	螺钉 SM2.38-56X3	SCREW BIND SM2.38-56X3	
71	021400306	1	六角螺母 M4	NUT 3 M4	
72	062300416	2	螺钉 M3X4	SCREW PAN M3X4	
73	SA7060101	1	压脚板总组件 LS30	WORK CLAMP PLATE LS30 UNIT	
74	SA7061001	1	压布板组件 LS	WORK CLAMP PLATE LS ASSY	
75	S35315001	1	角块	OPENING SLIDE BLOCK	
76	S35316001	1	角块支撑板	SLIDE BLOCK SUPPORT PLATE	
77	060020416	2	螺钉 M2X4	SCREW BIND M2X4	
78	SA5672001	1	针板 L-42	NEEDLE PLATE L-42	
79	S06696004	2	螺钉 M3X6	SCREW, FLAT M3X6	
80	S39931101	1	压布夹 L-30	CLOTH WORK CLAMP, L-30	
81	S35236000	1	垫圈 3.2	WASHER, BENDING 3.2	
82	S35235001	1	支架销	SUPPORT PIN, CLAMP	
83	021300306	1	螺母 M3	NUT 3 M3	
84	SA5560001	1	夹轴承受板	CLAMP SHAFT HOLDER	
85	062400816	2	螺钉 M4X8	SCREW PAN M4X8	
86	SA5674001	1	支点轴	CLAMP FULCRUM SHAFT	
87	048060142	2	轴用挡圈 C6	RETAINING RING EXTERNAL C6	
88	SA5671101	1	夹杆 L	CLAMP LEVER L	
89	018501436	1	螺栓 M5X14	BOLT SOCKET M5X14	
90	SA5577101	1	夹臂 L	CLAMP ARM L	
91	014400536	2	螺钉 M4X5	SET SCREW SOCKET(CP) M4X5	
92	SA7551001	1	布挡板 L	CLOTH GUIDE L	
93	S35326101	1	螺钉 M3.5	SCREW M3.5	
94	S35329001	1	压料板 L	WORK CLAMP PLATE, L	
95	SA7783001	1	变换零部件组 01	EXCHANGE PARTS SET 01	
96	SA7578001	1	芯线导向组件 C	GIMP THREAD GUIDE C ASSY	
97	SA7063001	1	芯线导向 C	GIMP THREAD GUIDE C	
98	SA7613001	1	芯线压板	GIMP THREAD CLAMP PLATE	
99	SA7614001	1	芯线调节弹簧	GIMP THREAD TENSION SPRING	
100	062300506	1	螺钉 M3X5	SCREW PAN M3X5	
101	025030236	1	平垫圈 M3	WASHER PLAIN M 3	
102	SA7615001	1	管套 3	COLLAR 3	
103	SA7064001	1	上动刀台	UPPER MOVABLE KNIFE	
104	060300416	1	螺钉 M3X4	SCREW BIND M3X4	
105	S35029001	1	上动刀 A	UPPER MOVABLE KNIFE, A	
106	SA7065001	1	针孔板 1.6	THROAT PLATE 1.6	
107	SA6971101	1	底线取线手柄	L-THREAD TAKE-UP GUIDE LENER	
108	SA6974001	1	底线导向 C	LOWER THREAD GUIDE C	
109	SA7068001	1	芯线过线手柄组件	GIMP THREAD TAKE-UP G-L ASSY	
110	SA7069001	1	芯线过线架	GIMP THREAD TAKE-UP G-HOLDER	
111	SA7070001	1	芯线过线板	G-THREAD TAKE-UP GUIDE PLATE	
112	SA7071001	1	芯线过线作动板	GIMP THREAD TAKE-UP G-E PLATE	
113	SA7072001	1	轴位螺钉 M4	SHOULDER SCREW M4	
114	021400306	1	六角螺母 M4	NUT 3 M4	
115	158722001	1	垫圈 4.2	WASHER PLAIN 4.2	
116	SA7073001	1	芯线导向	GIMP THREAD GUIDE	
117	062300416	1	螺钉 M3X4	SCREW PAN M3X4	
118	SA7074001	2	弹簧	SPRING TORSION	
120	SA7053001	1	轴套	G-THREAD TAKE-UP GUIDE COLLAR	
121	SA7054001	1	短轴	G-THREAD TAKE-UP GUIDE SHAFT	
122	048050142	1	轴用挡圈 C5	RETAINING RING EXTERNAL C5	
123	014400536	1	螺钉 M4X5	SET SCREW SOCKET(CP) M4X5	



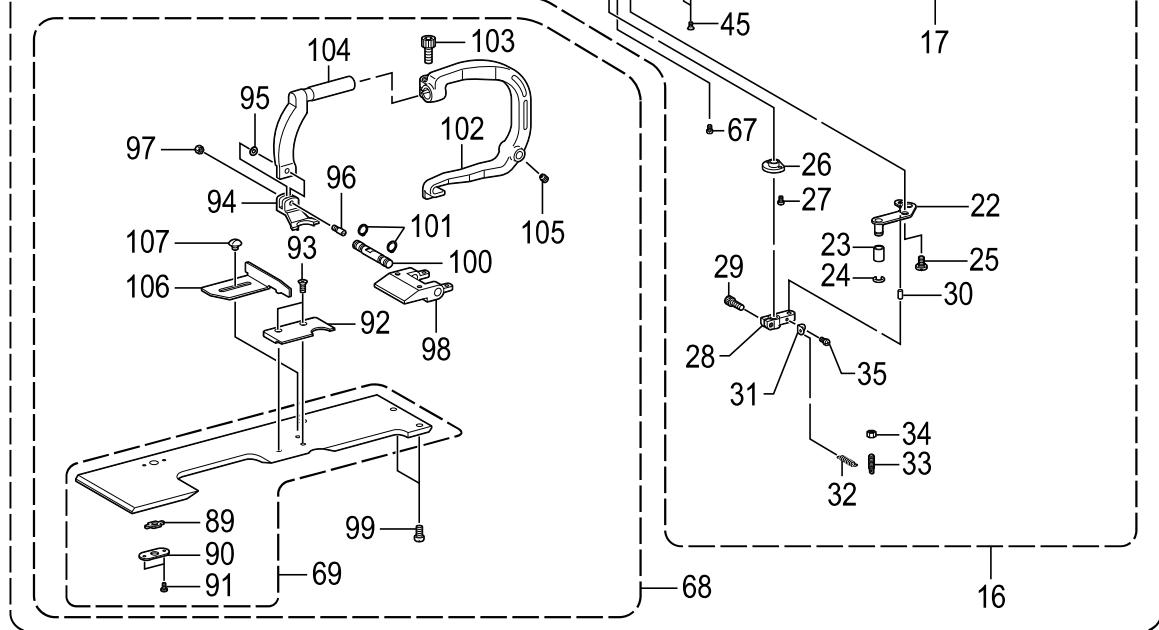
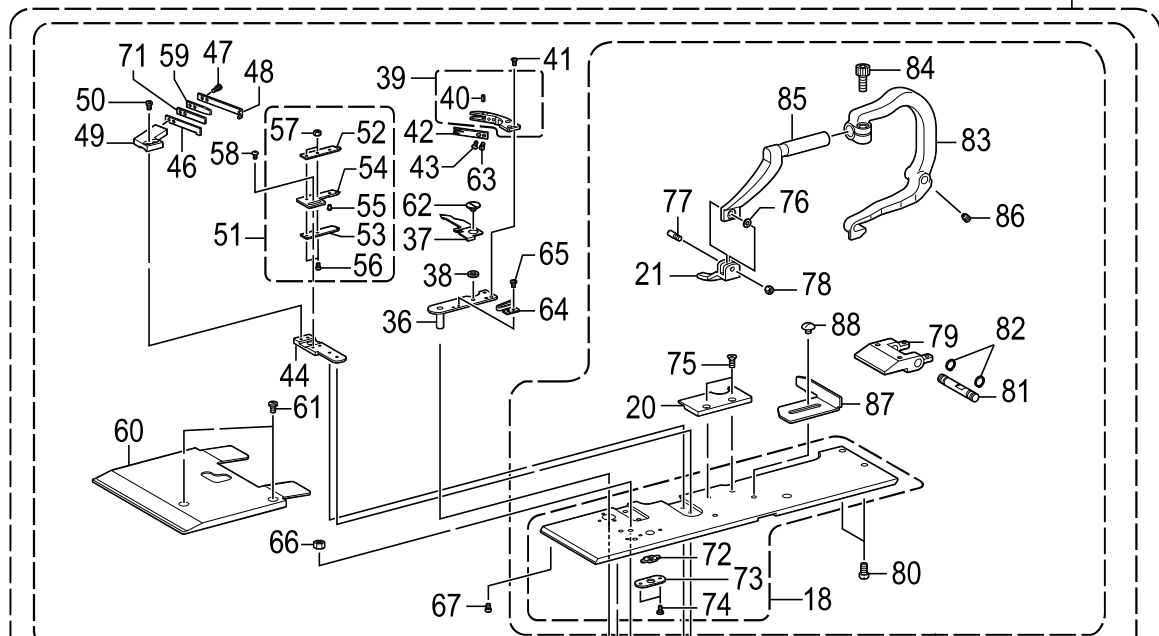
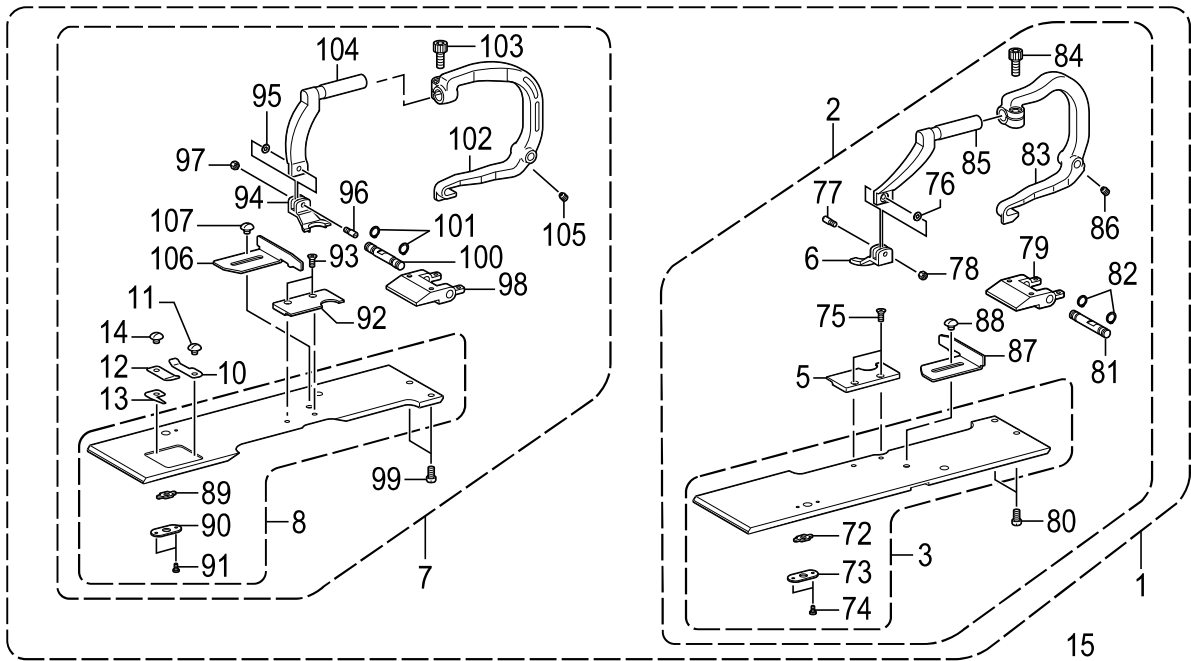
## AA4. 附属装置 / Attachment set

参照号	零部件序号	数量	零部件名称	NAME OF PARTS	RM
124	SA7555001	1	板弹簧	FEED BAR PLATE SPRING	
125	062400816	2	螺钉 M4X8	SCREW PAN M4X8	
126	S37195001	1	气锤 22	HAMMER, 22	
127	S37199001	1	气锤 30	HAMMER, 30	
128	SA5584001	1	气缸螺栓	CYLINDER SCREW	



## AA5. 附属装置 / Attachment set

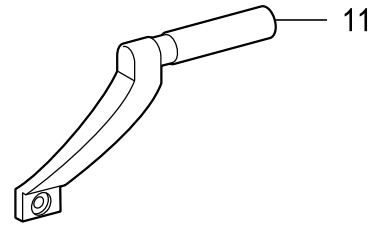
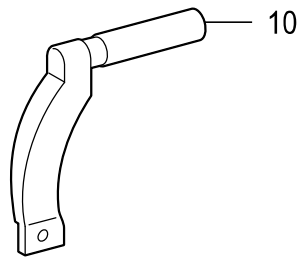
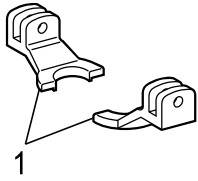
参照号	零部件序号	数量	零部件名称	NAME OF PARTS	RM
			<b>&lt;用于-00菊孔复合件&gt;</b>	<b>&lt;For -00 circular stitch set&gt;</b>	
1	SA7804101	1	菊孔变换零部件组 D13 00	EXCHANGE PARTS SET D13 00	
2	SA7802101	1	压脚板总组件 RD13	WORK CLAMP PLATE ASSY RD13	
3	SA7080001	1	压布板组件 R	WORK CLAMP PLATE R ASSY	
5	S41340001	1	针板 RD13	NEEDLE PLATE, RD13	
6	S41337001	1	压布夹 D13	WORK CLAMP, D13	
7	SA7803201	1	压脚板总组件 LD13	WORK CLAMP PLATE ASSY LD13	
8	SA7083001	1	压布板组件 L	WORK CLAMP PLATE L ASSY	
10	SA7149001	1	板弹簧	PLATE SPRING	
11	S35326101	1	螺钉 M3.5	SCREW M3.5	
12	SA7150101	1	切线 A	THREAD TRIMMER A	
13	SA7151101	1	切线 B	THREAD TRIMMER B	
14	S35326101	1	螺钉 M3.5	SCREW M3.5	
			<b>&lt;用于-01菊孔复合件&gt;</b>	<b>&lt;For -01 circular stitch set&gt;</b>	
15	SA7808101	1	菊孔变换零部件组 SD13 01	EXCHANGE PARTS SET SD13 01	
16	SA7806101	1	压板RSD13组件	PLATE RSD13 ASSY	
17	SA7805101	1	压脚板总组件 RSD13	WORK CLAMP PLATE ASSY RSD13	
18	SA7056001	1	压布板组件 RS	WORK CLAMP PLATE RS ASSY	
20	S41340001	1	针板 RD13	NEEDLE PLATE, RD13	
21	S41337001	1	压布夹 D13	WORK CLAMP, D13	
22	SA7526001	1	切线连接杆组件	THREAD TRIMMER LINK LEVER ASSY	
23	SA7778001	1	连接杆滚轮	LINK LEVER ROLLER	
24	137191051	1	挡圈	STOP RING	
25	SA5693001	1	轴位螺钉 M4	SHOULDER SCREW M4	
26	S34906100	1	切线臂管套	BUSH TR TRIMMER ARM	
27	062260516	2	螺钉 M2.6X5	SCREW PAN M2.6X5	
28	S34905101	1	切线杆臂	THREAD CUTTER LEVER ARM	
29	018401036	1	螺栓 M4X10	BOLT SOCKET M4X10	
30	S37858000	1	针销 4X8	NEEDLE PIN, 4X8	
31	S34903001	1	弹簧挂钩	SPRING HOOK	
32	S34883001	1	切线弹簧	SPRING, EXTENSION	
33	S34902001	1	弹簧挂钩	SPRING HOOK	
34	021350106	1	螺母 M3.5	NUT 1 M3.5	
35	062260406	1	螺钉 M2.6X4	SCREW PAN M2.6X4	
36	S34901001	1	切线臂	THREAD TRIMMER ARM	
37	S34900001	1	分线板	OPENER, ;T-NIPPER	
38	153219001	1	动刀管套	COLLAR, ;MOVABLE KNIFE	
39	S34899001	1	动刀组件	MOVABLE KNIFE ASSY	
40	S34898001	1	弹簧销 1.4	PIN, SPRING 1.4	
41	141542001	3	螺钉 3.18	SCREW 3.18	
42	SA7076001	1	挡线器	THREAD HANDLER	
43	S01694001	1	螺钉 SM2.38X4	SCREW, FLAT SM2.38X4	
44	S34896001	1	定刀台座	BRACKET, ;FIXED KNIFE	
45	061300416	2	螺钉 M3X4	SCREW FLAT M3X4	
46	S34895001	1	定刀	FIXED KNIFE	
47	018260832	2	螺栓 M2.6X8	BOLT, SOCKET M2.6X8	
48	S34894001	1	线导向板	THREAD GUIDE PLATE	
49	S34893001	1	定刀安装板	SETTING BRACKET FIXED KNIFE	
50	062300512	2	螺钉 M3X5	SCREW PAN M3X5	
51	S34889101	1	夹线组件	THREAD NIPPER ASSY	
52	S34890001	1	夹线 U	THREAD NIPPER, U	
53	S34891101	1	夹线 D	THREAD NIPPER, D	
54	S34888101	1	夹线 M	THREAD NIPPER, M	
55	S34892001	1	分线销	OPENER PIN	
56	062020416	2	螺钉 M2X4	SCREW PAN M2X4	
57	021020106	2	螺母 M2	NUT 1 M2	
58	542515001	2	螺母 M2.6X3.5	SCREW M2.6X3.5	
59	S34886001	1	定刀板弹簧 U	SPRING, U PLATE ;F-KNIFE	
60	SA7077001	1	压板 U	PRESSER PLATE U	
61	060400516	2	螺钉 M4X5	SCREW BIND M4X5	
62	152904001	1	螺钉 SM4.37	SCREW, SM4.37	
63	104336003	1	螺钉 SM2.38	SCREW, SM2.38	
64	S34884000	1	分线器弹簧	OPENER SPRING	



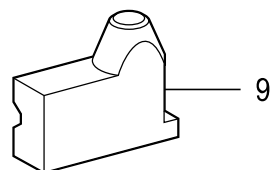
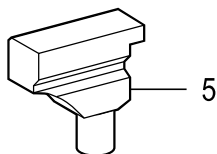
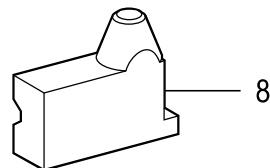
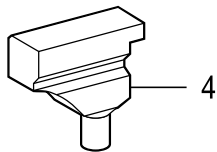
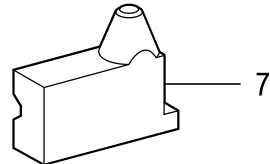
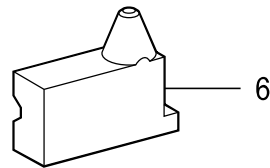
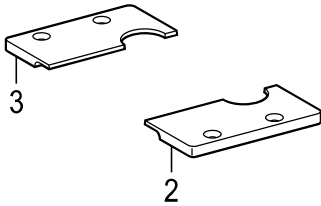


## AA5. 附属装置 / Attachment set

参照号	零部件序号	数量	零部件名称	NAME OF PARTS	RM
			<用于-01菊孔复合件>	<For -01 circular stitch set>	
65	060630312	2	螺钉 SM2.38-56X3	SCREW BIND SM2.38-56X3	
66	021400306	1	六角螺母 M4	NUT 3 M4	
67	062300416	2	螺钉 M3X4	SCREW PAN M3X4	
68	SA7807101	1	压脚板总组件 LSD13	WORK CLAMP PLATE ASSY LSD13	
69	SA7061001	1	压布板组件 LS	WORK CLAMP PLATE LS ASSY	
71	S34887001	1	定刀板弹簧	SPRING, PLATE ;F-KNIFE	
72	S35315001	1	角块	OPENING SLIDE BLOCK	
73	S35316001	1	角块支撑板	SLIDE BLOCK SUPPORT PLATE	
74	060020416	2	螺钉 M2X4	SCREW BIND M2X4	
75	S06696004	2	螺钉 M3X6	SCREW, FLAT M3X6	
76	S35236000	1	垫圈 3.2	WASHER, BENDING 3.2	
77	S35235001	1	支架销	SUPPORT PIN, CLAMP	
78	021300306	1	螺母 M3	NUT 3 M3	
79	SA5560001	1	夹轴承受板	CLAMP SHAFT HOLDER	
80	062400816	2	螺钉 M4X8	SCREW PAN M4X8	
81	SA5674001	1	支点轴	CLAMP FULCRUM SHAFT	
82	048060142	2	轴用挡圈 C6	RETAINING RING EXTERNAL C6	
83	SA5585101	1	夹杆 R	CLAMP LEVER R	
84	018501436	1	螺栓 M5X14	BOLT SOCKET M5X14	
85	SA6734101	1	夹臂 R-J	CLAMP ARM R-J	
86	014400536	2	螺钉 M4X5	SET SCREW SOCKET(CP) M4X5	
87	SA7550001	1	布挡板 R	CROTH GUIDE R	
88	S35326101	1	螺钉 M3.5	SCREW M3.5	
89	S35315001	1	角块	OPENING SLIDE BLOCK	
90	S35316001	1	角块支撑板	SLIDE BLOCK SUPPORT PLATE	
91	060020416	2	螺钉 M2X4	SCREW BIND M2X4	
92	S41341001	1	针板 LD13	NEEDLE PLATE, LD13	
93	S06696004	2	螺钉 M3X6	SCREW, FLAT M3X6	
94	S41337001	1	压布夹 D13	WORK CLAMP, D13	
95	S35236000	1	垫圈 3.2	WASHER, BENDING 3.2	
96	S35235001	1	支架销	SUPPORT PIN, CLAMP	
97	021300306	1	螺母 M3	NUT 3 M3	
98	SA5560001	1	夹轴承受板	CLAMP SHAFT HOLDER	
99	062400816	2	螺钉 M4X8	SCREW PAN M4X8	
100	SA5674001	1	支点轴	CLAMP FULCRUM SHAFT	
101	048060142	2	轴用挡圈 C6	RETAINING RING EXTERNAL C6	
102	SA5671101	1	夹杆 L	CLAMP LEVER L	
103	018501436	1	螺栓 M5X14	BOLT SOCKET M5X14	
104	SA6743101	1	夹臂 L-J	CLAMP ARM L-J	
105	014400536	2	螺钉 M4X5	SET SCREW SOCKET(CP) M4X5	
106	SA7551001	1	布挡板 L	CROTH GUIDE L	
107	S35326101	1	螺钉 M3.5	SCREW M3.5	



- 当使用菊孔布压夹时，请用上列部件替换。
- When using a circular stitch work clamp, replace with the parts listed above.



## AA6. 附属装置 / Attachment set

参照号	零部件序号	数量	零部件名称	NAME OF PARTS	RM
			<-00, -01: 用于菊孔>	<For -00, -01: circular stitch>	
1	S41337001	2	压布夹 D13	WORK CLAMP, D13	
2	S41340001	1	针板 RD13	NEEDLE PLATE, RD13	
3	S41341001	1	针板 LD13	NEEDLE PLATE, LD13	
4	S41344001	1	气锤 D3	CUTTING BLOCK, D3	
5	S41345001	1	气锤 D5	CUTTING BLOCK, D5	
6	S41346001	1	切刀 D2	KNIFE, D2	
7	S41347001	1	切刀 D3	KNIFE, D3	
8	S41348001	1	切刀 D4	KNIFE, D4	
9	S41349001	1	切刀 D5	KNIFE, D5	
10	SA6743101	1	夹臂 L-J	CLAMP ARM L-J	
11	SA6734101	1	夹臂 R-J	CLAMP ARM R-J	

AB . 面线断线检出感应装置 / Upper thread breakage detector

AC . 气压检出装置 / Air pressure detector

选项装置的制约事项 / Restrictions on option devices

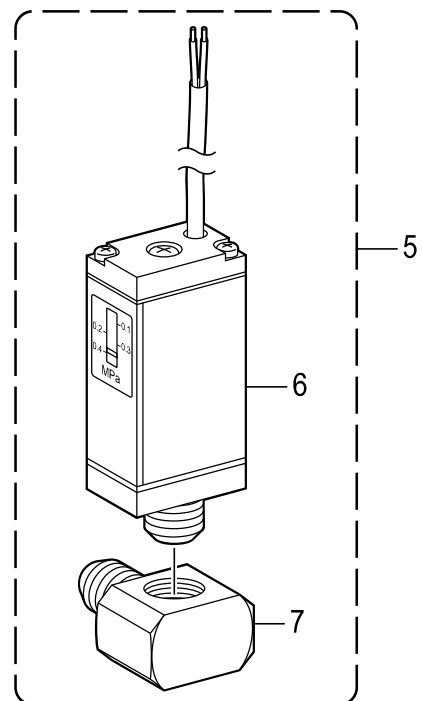
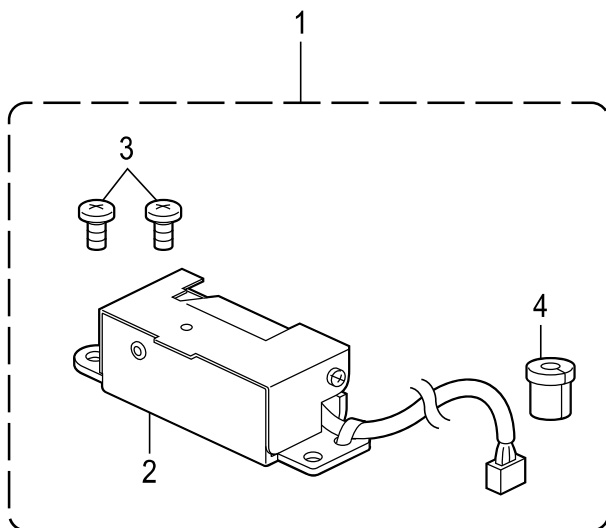
	-00	-01	-02
AB 面线断线检出感应装置 Upper thread breakage detector	○	○	○
AC 气压检出装置 Air pressure detector	○	○	○
AD 面线夹线装置 Upper thread nipper device set	○ <sup>(*1)</sup>	○	○
AE 切刀长度转换装置 (*2) Cut length changeover device (*2)	○	○	○
AF 布料引导装置 Fly indexer	×	×	○
AD 面线夹线装置 + AE 切刀长度转换装置 (*2) Upper thread nipper device set + Cut length changeover device (*2)	○ <sup>(*1)</sup>	○	○
AD 面线夹线装置 + AF 布料引导装置 Upper thread nipper device set + Fly indexer	×	×	○
AE 切刀长度转换装置 (*2) + AF 布料引导装置 Cut length changeover device (*2) + Fly indexer	×	×	×

(\*1) … 最大锁缝长度为 42mm。

(\*2) … 无论存储开关设置如何，布料设定位置均设置为“前面”。

(\*1) … The maximum sewing length is 42mm

(\*2) … The material setting position is set to " Front " regardless of the memory switch settings.



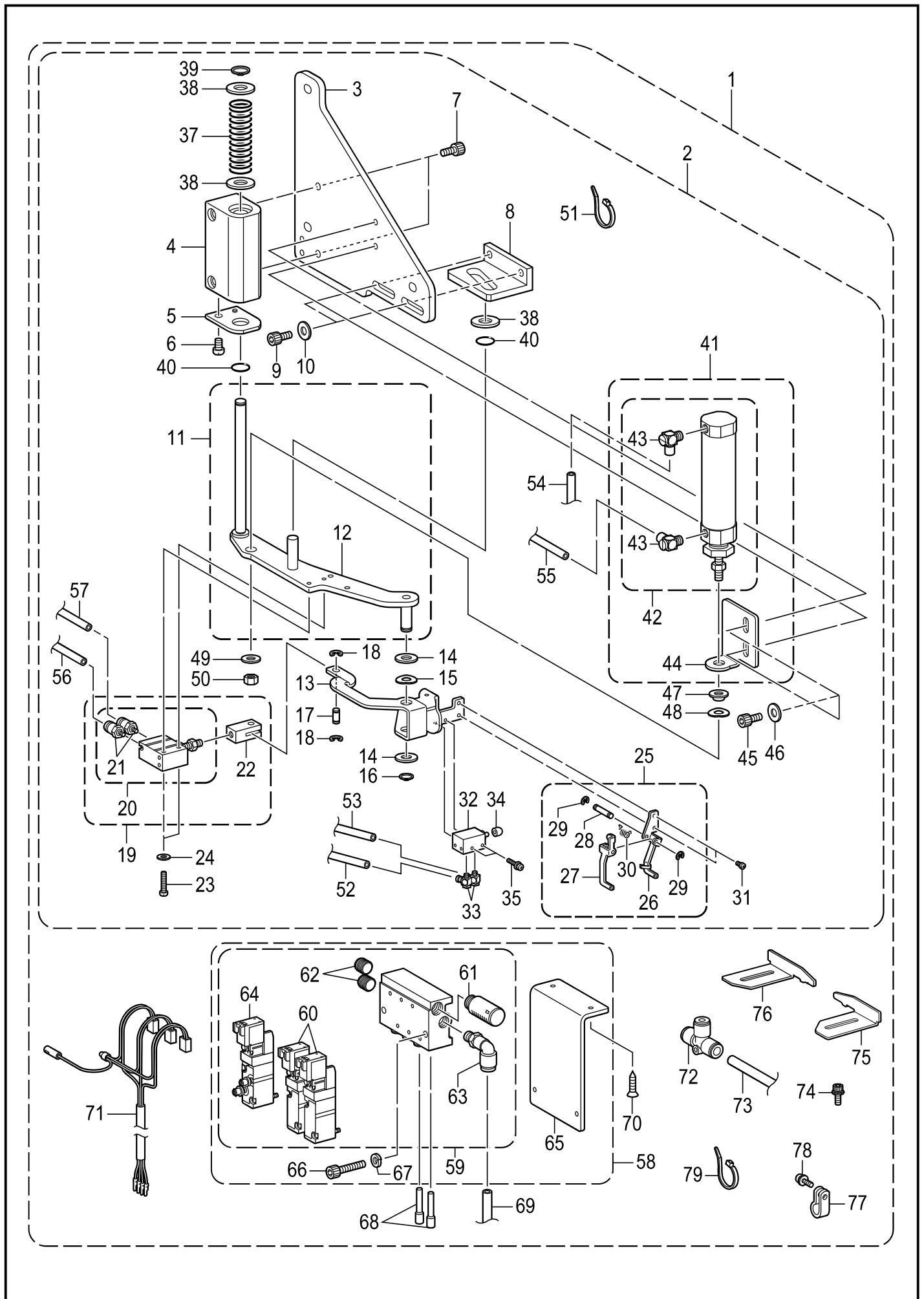
RH-9820-940

## AB. 面线断线检出感应装置/ Upper thread breakage detector

## AC. 气压检出装置/ Air pressure detector

参照号	零部件序号	数量	零部件名称	NAME OF PARTS	RM
1	SA8077001	1	<面线断线检出感应装置> <用于欧洲以外> 面线断线检出感应装置套件	<Upper thread breakage detector> <Except for Europe> THREAD BREAKAGE DETECTOR SET	
1	SA80770E1	1	<用于欧洲> 面线断线检出感应装置套件	<For Europe> THREAD BREAKAGE DETECTOR SET	
2	SA8359001	1	面线断线感应箱	THREAD BREAKAGE BOX ASSY	
3	060400816	2	螺钉 M4X8	SCREW BIND M4X8	
4	SA8363001	1	电线套	CORD BUSH	
5	SA9527001	1	<气压检出装置> <用于欧洲以外> 气压检出装置套件	<Air pressure detector> <Except for Europe> AIR PRESSURE DETECTOR	
5	SA95270E1	1	<用于欧洲> 气压检出装置套件	<For Europe> AIR PRESSURE DETECTOR	
6	SA9479001	1	压力开关	PRESSURE SWITCH	
7	SA9480001	1	弯头 PT 1/4	ELBOW PT 1/4	

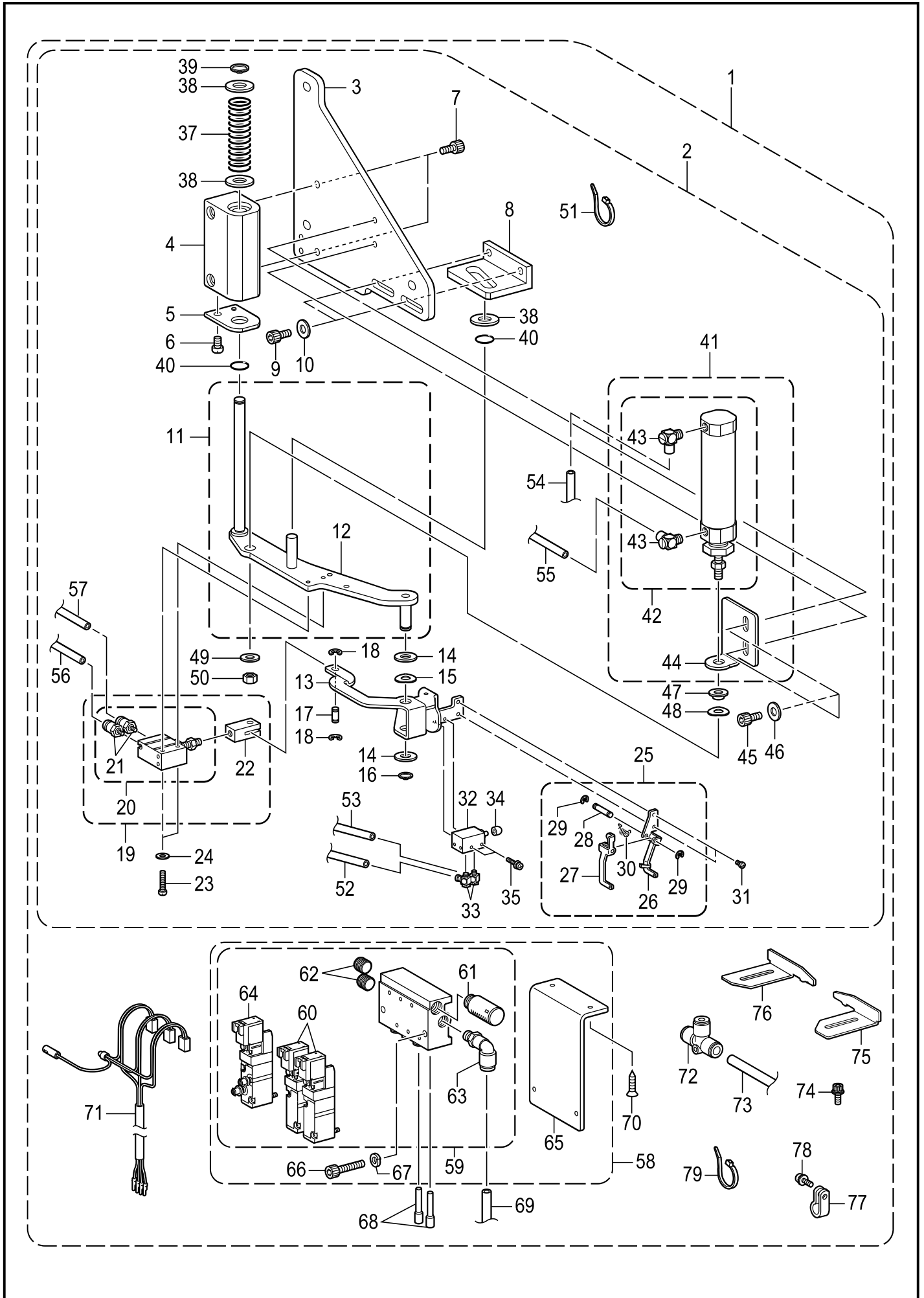
AD . 面线夹线装置 / Upper thread nipper device set



## AD. 面线夹线装置/ Upper thread nipper device set

参照号	零部件序号	数量	零部件名称	NAME OF PARTS	RM
1	SA7931001	1	<用于欧洲以外> 夹线装置	<Except for Europe> THREAD NIPPER DEVICE SET	
1	SA79310E1	1	<用于欧洲> 夹线装置	<For Europe> THREAD NIPPER DEVICE SET	
2	SA7932001	1	夹线总组件	UPPER THREAD NIPPER SET	
3	SA7746001	1	线夹安装板	THREAD NIPPER SETTING HOLDER	
4	SA7761001	1	线性轴套 SH8LUU	LINEAR BUSH SH8LUU	
5	SA8358001	1	定位板	STOPPER	
6	062400616	1	螺钉 M4X6	SCREW PAN M4X6	
7	018401036	2	螺栓 M4X10	BOLT SOCKET M4X10	
8	SA7741001	1	线夹轴导向	THREAD NIPPER SHAFT GUIDE	
9	018400836	2	螺栓 M4X8	BOLT SOCKET M4X8	
10	025040236	2	平垫圈 M4	WASHER PLAIN M 4	
11	SA7769001	1	驱动架组件	DRIVING HOLDER ASSY	
12	SA7744001	1	驱动架	DRIVING HOLDER	
13	SA7772001	1	线夹安装架	NIPPER SETTING PLATE	
14	153596001	2	垫圈	WASHER	
15	109239001	1	弹簧垫圈	WASHER, WAVE SPRING	
16	048080142	1	轴用挡圈 C8	RETAINING RING EXTERNAL C8	
17	S34969001	1	气缸连杆销 B	ROD PIN, B: CYLINDER	
18	048030342	2	挡圈 E3	RETAINING RING E3	
19	SA8253001	1	气缸组件	CYLINDER ASSY	
20	SA7933001	1	气缸组件 10X6	CYLINDER ASSY 10X6	
21	SA7011001	2	接头 KJH04-M3	JOINT KJH04-M3	
22	S34970001	1	气缸杆	CYLINDER ROD OPENING	
23	062302016	2	螺钉 M3X20	SCREW PAN M3X20	
24	026030136	2	平垫圈 S3	WASHER PLAIN S 3	
25	SA8243001	1	线夹组件	UPPER THREAD NIPPER ASSY	
26	SA7747001	1	线夹 A	THREAD NIPPER A	
27	SA7740001	1	线夹 B	THREAD NIPPER B	
28	S41424001	1	销	PIN	
29	048020342	2	挡圈 E2	RETAINING RING E2	
30	SA7742001	1	弹簧	SPRING	
31	062300416	2	螺钉 M3X4	SCREW PAN M3X4	
32	SA7934001	1	气缸 4X3	CYLINDER 4X3	
33	SA7935001	2	弯管接头 M-3ALU-2	TUBE ELBOW M-3ALU-2	
34	SA7770001	1	销	PIN	
35	0A4261406	2	螺栓(带垫圈) M2.6X14DA	SCREW PAN (S/P WASHER) M2.6X14	
37	SA7743001	1	弹簧	SPRING	
38	025080236	3	平垫圈 M8	WASHER PLAIN M 8	
39	048080142	1	轴用挡圈 C8	RETAINING RING EXTERNAL C8	
40	081008870	2	O形圈 S8	O RING S8	
41	SA8254001	1	上下气缸组件	V-FEEDING CYLINDER ASSY	
42	SA7936001	1	气缸组件 16X15	CYLINDER ASSY 16X15	
43	S12150000	2	管接头 M-5HL-4	TUBE ELBOW, M-5HL-4	
44	SA7739001	1	上下气缸架	V-FEEDING CYLINDER HOLDER	
45	018400836	2	螺栓 M4X8	BOLT SOCKET M4X8	
46	025040236	2	平垫圈 M4	WASHER PLAIN M 4	
47	SA7745001	1	管套	COLLAR	
48	109239001	1	弹簧垫圈	WASHER, WAVE SPRING	
49	025050336	1	平垫圈 L5	WASHER PLAIN L 5	
50	021500216	1	六角螺母 M5	NUT 2 M5	
51	S04557000	8	电线夹 PLT1M	BAND PLT1M	
52	SA7937001	1	空气接管 2X1.2-34	AIR TUBE 2X1.2-34	
53	SA7938001	1	空气接管 2X1.2-35	AIR TUBE 2X1.2-35	
54	SA7939001	1	空气接管 4X2.5-30	AIR TUBE 4X2.5-30	
55	SA7940001	1	空气接管 4X2.5-31	AIR TUBE 4X2.5-31	
56	SA7941001	1	空气接管 4X2.5-32	AIR TUBE 4X2.5-32	
57	SA7942001	1	空气接管 4X2.5-33	AIR TUBE 4X2.5-33	
58	SA7875001	1	阀门总组件	VALVE UNIT SET	
59	SA7876001	1	阀门组	VALVE UNIT ASSY	
60	S39115100	2	阀门 VQZ2151-5	VALVE, VQZ2151-5	

AD . 面线夹线装置 / Upper thread nipper device set

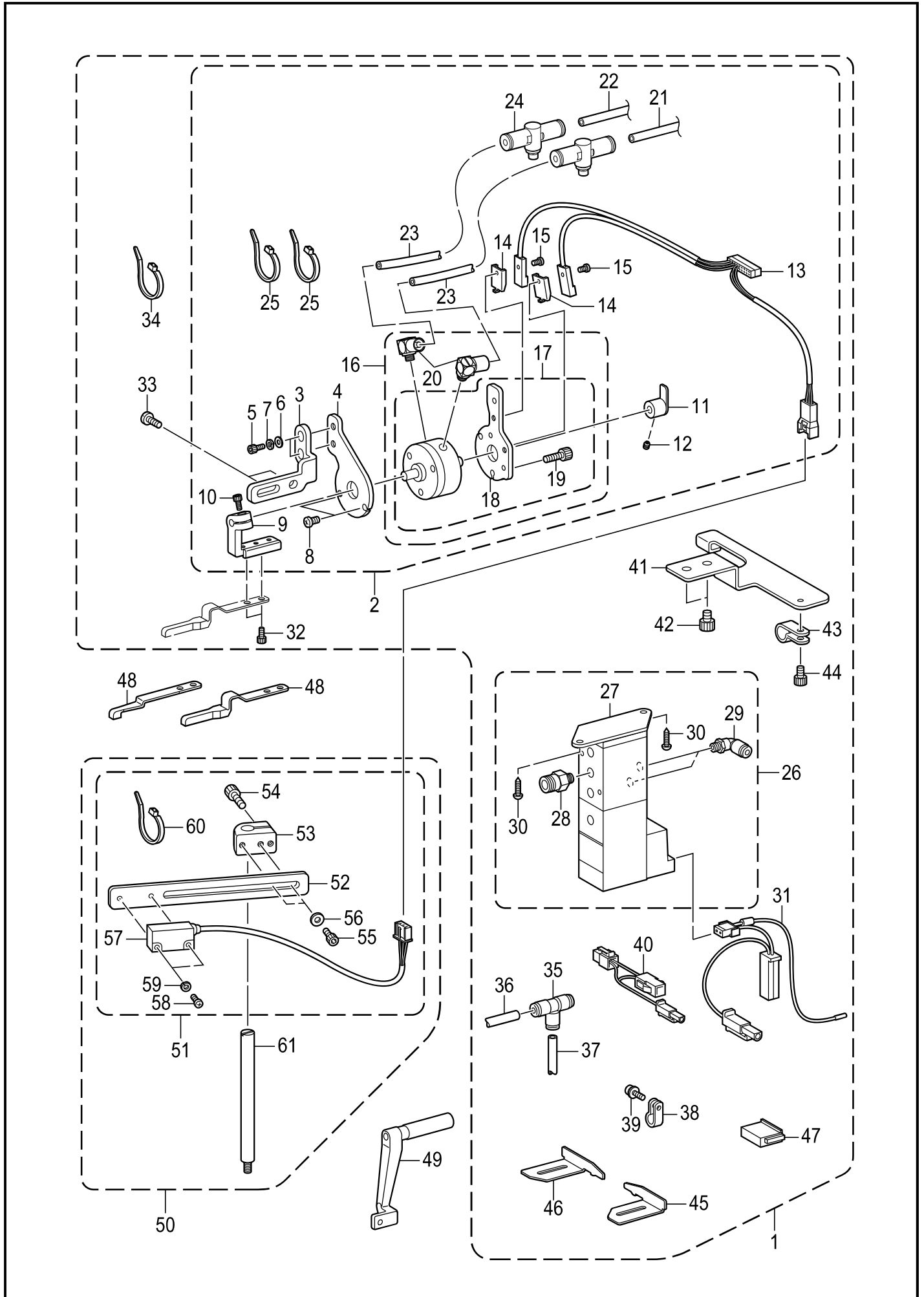




## AD. 面线夹线装置/ Upper thread nipper device set

参照号	零部件序号	数量	零部件名称	NAME OF PARTS	RM
61	140682001	1	消音器	SILENCER	
62	153274001	2	盖 1/8	CAP, 1/8	
63	S01542100	1	弯管接头 61	ELBOW UNION 61	
64	S39116100	1	阀 VQZ2151S-5	VALVE VQZ2151S-5	
65	S42148101	1	阀安装板	VALVE SETTING PLATE	
66	018503036	2	螺栓 M5X30	BOLT SOCKET M5X30	
67	028050243	2	弹簧垫圈 2-5	WASHER, SPRING 2-5	
68	SA7943001	2	变径销 KJR02-04	REDUCER KJR02-04	
69	S41442000	1	空气接管 6X4-28	AIR TUBE, 6X4-28	
70	032422003	2	木螺钉 M4.1X20	WOOD SCREW, ROUND 2 M4.1X20	
71	SA7821001	1	夹线器阀电线	THREAD NIPPER VALVE HARNESS	
72	SA7877001	1	连接管 KQ2T08-06	UNION KQ2T08-06	
73	SA7878001	1	空气接管 8X5-100	AIR TUBE 8X5-100	
74	S55485001	3	螺栓(带垫圈) M5X12	BOLT SOCKET (S/P WASHER) M5X12	
75	SA8297001	1	布料导向 RB	CROTH GUIDE RB	
76	SA8298001	1	布料导向 LB	CROTH GUIDE LB	
77	525567000	1	电线夹 #8	CORD HOLDER #8	
78	0A5400806	1	螺栓(带垫圈) M4X8DB	SCREW PAN (S/P WASHER) M4X8	
79	S04557000	6	电线夹 PLT1M	BAND PLT1M	

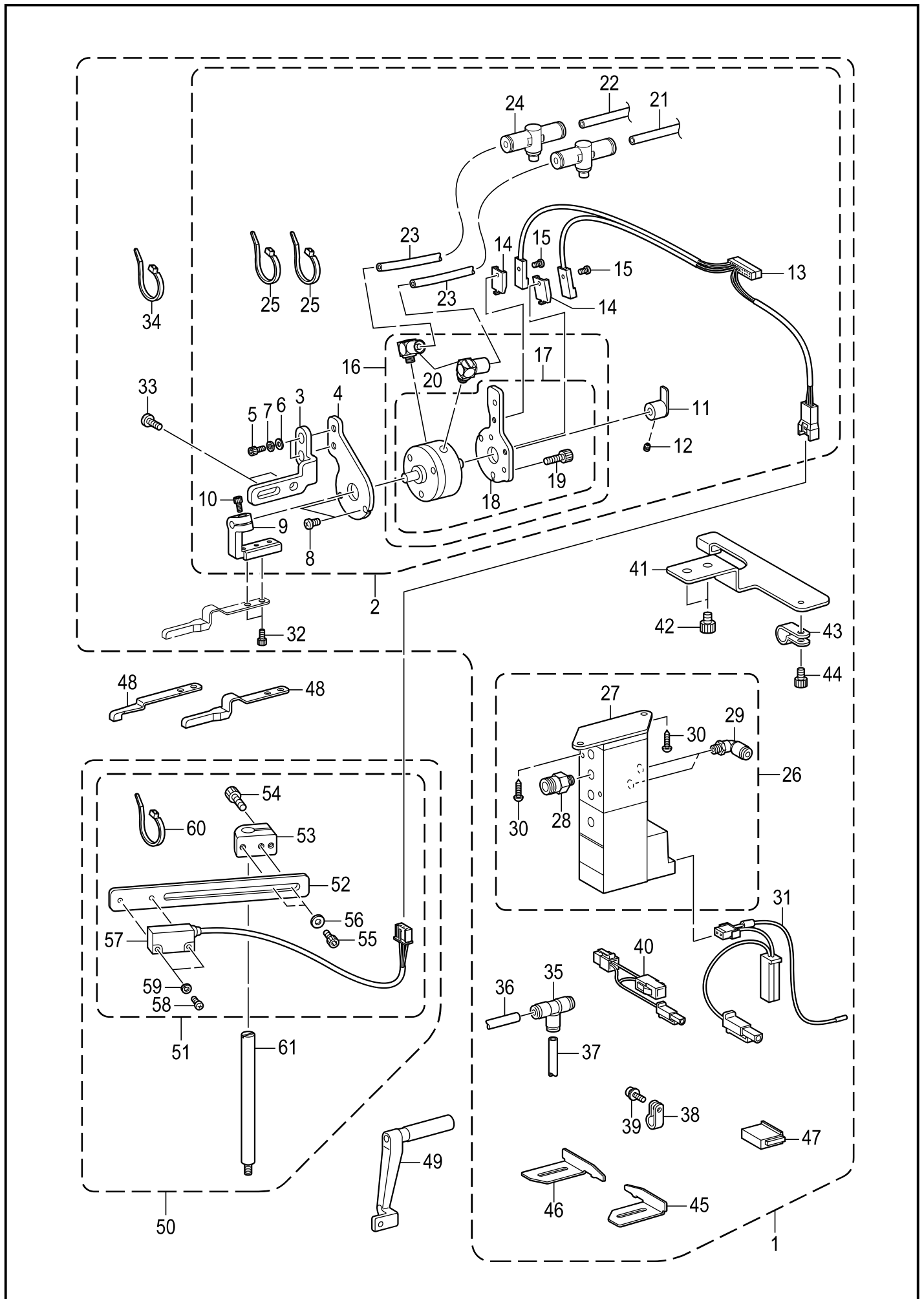
AE . 切刀长度转换装置 / Cut length changeover device



AE. 切刀长度转换装置 / Cut length changeover device

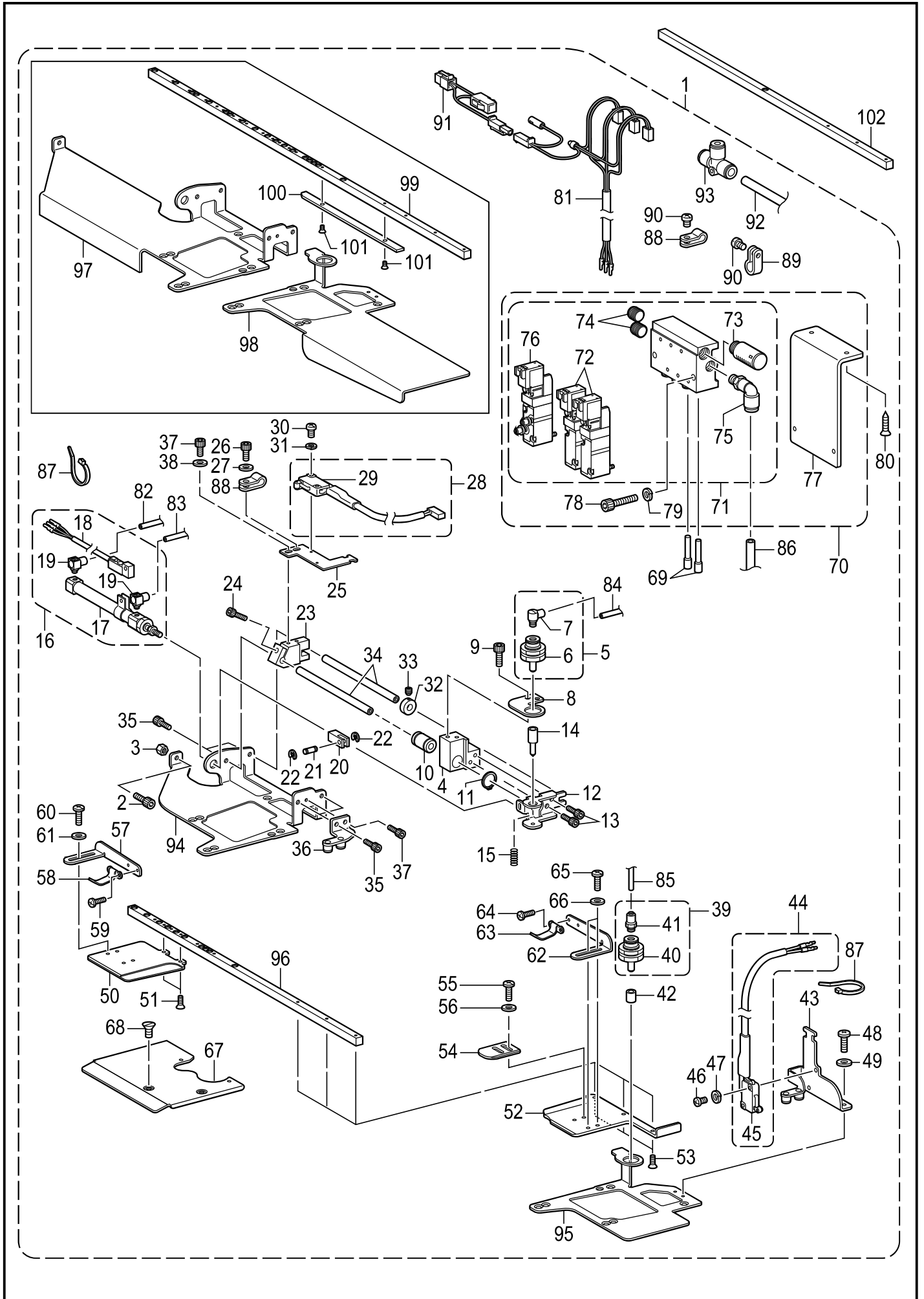
参照号	零部件序号	数量	零部件名称	NAME OF PARTS	RM
1	SA9313001	1	<用于欧洲以外> 切刀长度转换装置	<Except for Europe> CUT LENGTH CHANGEOVER DEVICE	
1	SA93130E1	1	<用于欧洲> 切刀长度转换装置	<For Europe> CUT LENGTH CHANGEOVER DEVICE	
2	SA9327001	1	气锤切换组件 B	HAMMER SELECTOR ASSY B	
3	SA9328001	1	气缸支承板 B	CYLINDER SUPPORT PLATE B	
4	SA9329001	1	气缸安装板 B	CYLINDER SETTING PLATE B	
5	018400836	2	螺栓 M4X8	BOLT SOCKET M4X8	
6	026040136	2	平垫圈 S4	WASHER PLAIN S 4	
7	028040246	2	弹簧垫圈 2-4	WASHER SPRING 2-4	
8	062300616	2	螺钉 M3X6	SCREW PAN M3X6	
9	SA9330001	1	气锤安装架 B	HAMMER SETTING LEVER B	
10	018400836	1	螺栓 M4X8	BOLT SOCKET M4X8	
11	SA9331001	1	感应器隔板 B	SENSOR PARTITION PLATE B	
12	014300332	1	螺钉 M3X3	SET SCREW SOCKET (CP) M3X3	
13	SA7642001	1	圆头直形孔位置感应器	POSITION SENSOR ASSY	
14	S53917000	2	感应器支座 MS-GL8	SENSOR BRACKET, MS-GL8	
15	062300816	2	螺钉 M3X8	SCREW PAN M3X8	
16	SA9332001	1	回转式气缸组件B	ROTARY CYLINDER ASSY B	
17	SA9333001	1	回转式气缸板组件B	ROTARY CYLINDER PLATE ASSY B	
18	SA9334001	1	感应器安装板B	SENSOR SETTING PLATE B	
19	018301636	2	螺栓 M3X16	BOLT SOCKET M3X16	
20	S16603000	2	弯管接头	TUBE ELBOW, W/VALVE	
21	SA9335001	1	空气管 4X2.5-60	AIR TUBE 4X2.5-60	
22	SA9336001	1	空气管 4X2.5-61	AIR TUBE 4X2.5-61	
23	SA9337001	2	空气管 4X2.5	AIR TUBE 4X2.5	
24	SA7793001	2	速控 4	SPEED CONTROLLER	
25	S04557000	2	电线夹 PLT1M	BAND PLT1M	
26	SA8234001	1	阀门组件	VALVE ASSY	
27	S53928001	1	阀 VZ3120-F	VALVE VZ3120-F	
28	S14145000	1	接头 06-M5	HALF UNION 06-M5	
29	S11426000	2	弯管接头 4M5	ELBOW UNION 4M5	
30	032361602	2	木螺钉 M3.5X16	WOOD SCREW ROUND 2 M3.5X16	
31	SA7820001	1	OP阀门组电线	OP VALVE HARNESS	
32	018300536	2	螺栓 M3X5	BOLT SOCKET M3X5	
33	060400816	2	螺钉 M4X8	SCREW BIND M4X8	
34	S04557000	10	电线夹 PLT1M	BAND PLT1M	
35	SA7877001	1	连接管 KQ2T08-06	UNION KQ2T08-06	
36	SA7878001	1	空气接管 8X5-100	AIR TUBE 8X5-100	
37	S41442000	1	空气接管 6X4-28	AIR TUBE, 6X4-28	
38	149287000	1	压线板	CORD HOLDER 7N	
39	0A4400806	1	螺栓(带垫圈) M4X8DA	SCREW PAN (S/P WASHER) M4X8	
40	SA7832101	1	阀门中继线	HAMMER VALVE CONNECT HARNESS	
41	SA8237001	1	电线钩板	CORD HOLDER PLATE	
42	018500836	2	螺栓 M5X8	BOLT SOCKET M5X8	
43	S00480000	1	电线夹 #5	CORD HOLDER 5N	
44	018400636	1	螺栓 M4X6	BOLT SOCKET M4X6	
45	SA8297001	1	布料导向 RB	CLOTH GUIDE RB	
46	SA8298001	1	布料导向 LB	CLOTH GUIDE LB	
47	SA9411001	1	插头 NH-5P	CONNECTOR NH-5P	
48	SA9338001	1	<用于圆头形钮孔> 副气锤 26	<For eyelet buttonhole> HAMMER PLATE 26	
48	SA9339001	1	副气锤 38	HAMMER PLATE 38	
48	SA9340001	1	<用于直形钮孔> 副气锤 5	<For straight buttonhole> HAMMER PLATE 5	
48	SA9341001	1	副气锤 7	HAMMER PLATE 7	

AE . 切刀长度转换装置 / Cut length changeover device



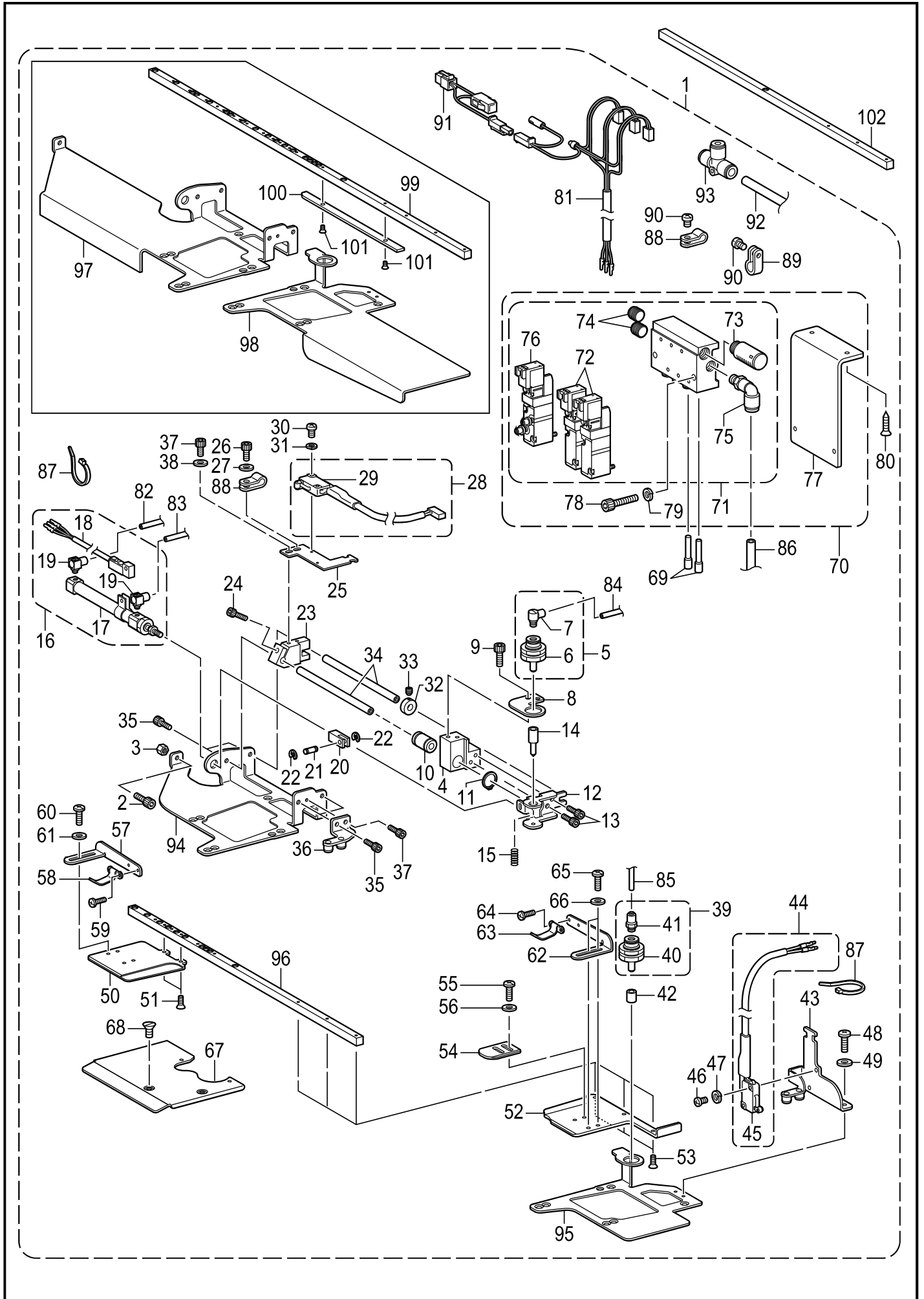
AE. 切刀长度转换装置 / Cut length changeover device

参照号	零部件序号	数量	零部件名称	NAME OF PARTS	RM
49	SA9342001		<用于 -00、-01> 夹臂 L-JB	<For -00 and -01> CLAMP ARM L-JB	
49	SA9343001		<用于 -02> 夹臂 L-C	<For -02> CLAMP ARM L-C	
			<选购件>	<Option Parts>	
50	SA9314001	1	钮扣孔感应器组件	B-HOLE SENSOR SET	
51	SA8232001	1	钮扣孔感应器板组件	B-HOLE SENSOR PLATE ASSY	
52	SA8233001	1	布感应器安装板	CLOTH SENSOR SETTING PLATE	
53	S31568000	1	Y驱动轴夹块	Y-DRIVING SHAFT HOLDER	
54	018501636	1	螺栓 M5X16	BOLT SOCKET M5X16	
55	S59890001	2	螺栓 SM4.37-40X8	BOLT, SOCKET SM4.37-40X8	
56	100645003	2	垫圈	WASHER	
57	SA7643001	1	钮扣感应器	N-CLOTH SENSOR	
58	062301414	2	螺钉 M3X14	SCREW PAN M3X14	
59	028030243	2	弹簧垫圈 2-3	WASHER, SPRING 2-3	
60	S04557000	1	电线夹 PLT1M	BAND PLT1M	
61	S53922001	1	感应器安装轴	SENSOR SETTING SHAFT	



## AF. 布料引导装置/ Fly indexer

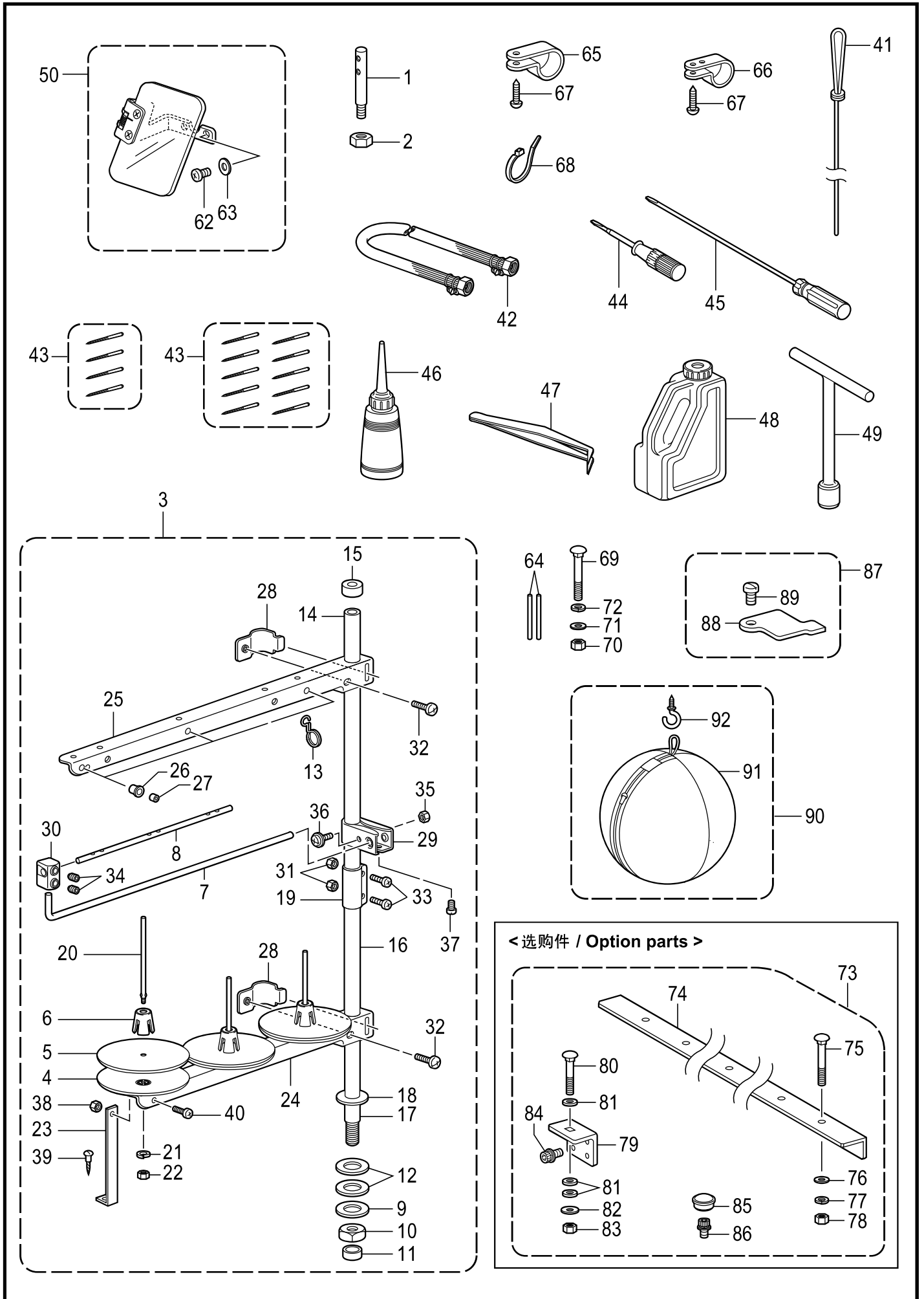
参照号	零部件序号	数量	零部件名称	NAME OF PARTS	RM
1	SA8079101	1	<用于欧洲以外的标准尺寸> 布料引导装置 M	<Except for Europe standard size> FLY INDEXER M	
1	SA80791E1	1	<用于欧洲的标准尺寸> 布料引导装置 M	<For Europe standard size> FLY INDEXER M	
1	SA8080101	1	<用于欧洲以外的大尺寸> 布料引导装置 L	<Except for Europe large size> FLY INDEXER L	
1	SA80801E1	1	<用于欧洲的大尺寸> 布料引导装置 L	<For Europe large size> FLY INDEXER L	
2	018501636	1	螺栓 M5X16	BOLT SOCKET M5X16	
3	021500216	1	六角螺母 M5	NUT 2 M5	
4	S42112100	1	送布移动块	FEED MOVABLE BLOCK	
5	SA7873001	1	气缸弯管接头组件 10X5	CYLINDER ELBOW ASSY 10X5	
6	S42114000	1	气缸 10X5	CYLINDER, 10X5	
7	S12150000	1	管接头 M-5HL-4	TUBE ELBOW, M-5HL-4	
8	SA7733001	1	气缸安装板	CYLINDER SETTING PLATE	
9	018401236	2	螺栓 M4X12	BOLT SOCKET M4X12	
10	S42116000	1	线性轴套	LINEAR BUSH	
11	048120142	1	轴用挡圈 C12	RETAINING RING EXTERNAL C12	
12	SA7734001	1	定位销导向板	C-PIN GUIDE PLATE	
13	018401236	2	螺栓 M4X12	BOLT SOCKET M4X12	
14	SA7735001	1	定位销	PIN	
15	S42119001	1	压簧	SPRING	
16	SA7874001	1	气缸组件 10X60	CYLINDER ASSY 10X60	
17	S42121000	1	气缸 10X60	CYLINDER, 10X60	
18	SA7817001	1	送布板右感应器	FEED PLATE RIGHT SENSOR	
19	S12150000	2	管接头 M-5HL-4	TUBE ELBOW, M-5HL-4	
20	S42123001	1	气缸杆	CYLINDER ROD	
21	S42124001	1	气缸杆销	CYLINDER ROD PIN	
22	048030342	2	挡圈 E3	RETAINING RING E3	
23	S42125100	1	送布停止块	STOPPER BLOCK	
24	018401636	1	螺栓 M4X16	BOLT SOCKET M4X16	
25	S42126101	1	开关安装板	SWITCH SETTING PLATE	
26	018401236	1	螺栓 M4X12	BOLT SOCKET M4X12	
27	025040236	1	平垫圈 M4	WASHER PLAIN M 4	
28	SA7818001	1	送布板左开关	FEED PLATE LEFT SWITCH	
29	SA8534001	1	微开关 AM5063	MICRO SWITCH AM5063	
30	062301414	2	螺钉 M3X14	SCREW PAN M3X14	
31	028030243	2	弹簧垫圈 2-3	WASHER, SPRING 2-3	
32	S24325001	2	紧圈	SET SCREW COLLAR	
33	014400532	2	螺钉 M4X5	SET SCREW SOCKET (CP) M4X5	
34	S42128101	2	送布导向轴	FEED GUIDE SHAFT	
35	018401236	4	螺栓 M4X12	BOLT SOCKET M4X12	
36	S42129101	1	送布杆导向组件 L	FEED BAR GUIDE ASSY, L	
37	018400836	2	螺栓 M4X8	BOLT SOCKET M4X8	
38	025040236	1	平垫圈 M4	WASHER PLAIN M 4	
39	S42133000	1	气缸组件 10X5	CYLINDER ASSY, 10X5	
40	S42114000	1	气缸 10X5	CYLINDER, 10X5	
41	S11433000	1	管接头 4M5	HOSE NIPPLE, 4M5	
42	S05356000	1	扣夹 A	BUTTON CLAMP, A	
43	S42134101	1	送布杆导向组件 R	FEED BAR GUIDE ASSY, R	
44	SA7819001	1	送布板原点开关	FEED PLATE HOME SWITCH	
45	SA8534001	1	微开关 AM5063	MICRO SWITCH AM5063	
46	062301414	2	螺钉 M3X14	SCREW PAN M3X14	
47	028030243	2	弹簧垫圈 2-3	WASHER, SPRING 2-3	
48	060400516	2	螺钉 M4X5	SCREW BIND M4X5	
49	025040236	2	平垫圈 M4	WASHER PLAIN M4	
50	S42138101	1	送布板 L	CLOTH FEED PLATE, L	
51	003300812	2	螺钉 M3X8	SCREW, FLAT M3X8	
52	S42139201	1	送布板 R	CLOTH FEED PLATE, R	
53	003300812	3	螺钉 M3X8	SCREW, FLAT M3X8	
54	S42140100	1	布料放置纵导向	CLOTH SET GUIDE, VERTICAL	
55	060400516	2	螺钉 M4X5	SCREW BIND M4X5	





## AF. 布料引导装置/ Fly indexer

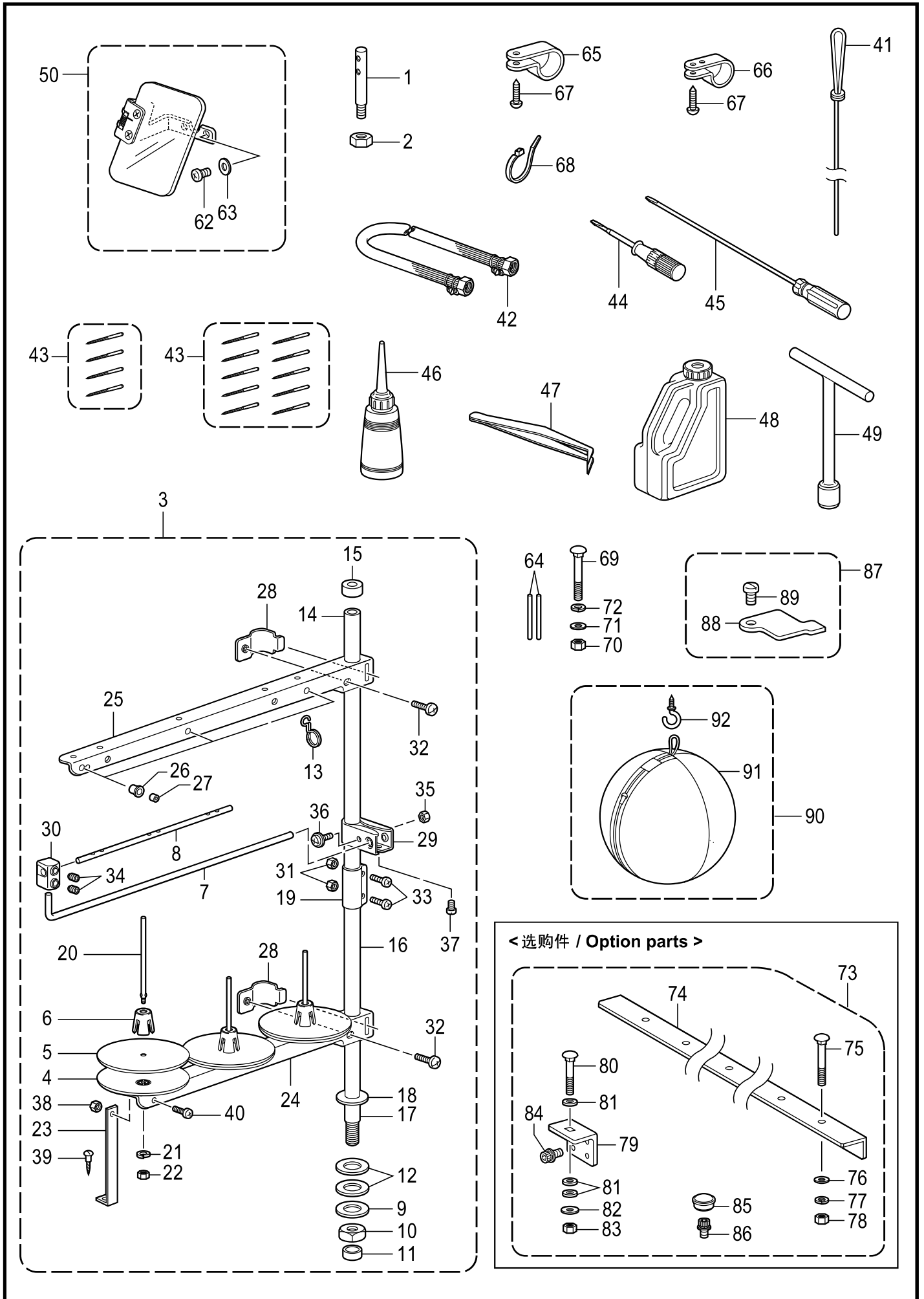
参照号	零部件序号	数量	零部件名称	NAME OF PARTS	RM
56	025040236	2	平垫圈 M4	WASHER PLAIN M 4	
57	S42141100	1	布料放置横导向 L	CLOTH SET GUIDE, L: HORIZONTAL	
58	S42143200	1	板弹簧	PLATE SPRING	
59	060300416	2	螺钉 M3X4	SCREW BIND M3X4	
60	060400416	2	螺钉 M4X4	SCREW, BIND M4X4	
61	025040236	2	平垫圈 M4	WASHER PLAIN M 4	
62	S42142100	1	布料放置横导向 R	CLOTH SET GUIDE, R: HORIZONTAL	
63	S42143200	1	板弹簧	PLATE SPRING	
64	060300416	2	螺钉 M3X4	SCREW BIND M3X4	
65	060400416	2	螺钉 M4X4	SCREW, BIND M4X4	
66	025040236	2	平垫圈 M4	WASHER PLAIN M 4	
67	SA7738001	1	压板 I	PRESSER PLATE I	
68	004400803	2	螺钉 M4X8	SCREW, FLAT M4X8	
69	S04897000	2	火花塞 4	PLUG 4	
70	SA7875001	1	阀门总组件	VALVE UNIT SET	
71	SA7876001	1	阀门组	VALVE UNIT ASSY	
72	S39115100	2	阀门 VQZ2151-5	VALVE, VQZ2151-5	
73	140682001	1	消音器	SILENCER	
74	153274001	2	盖 1/8	CAP, 1/8	
75	S01542100	1	弯管接头 61	ELBOW UNION 61	
76	S39116100	1	阀 VQZ2151S-5	VALVE VQZ2151S-5	
77	S42148101	1	阀安装板	VALVE SETTING PLATE	
78	018503036	2	螺栓 M5X30	BOLT SOCKET M5X30	
79	028050246	2	弹簧垫圈 2-5	WASHER SPRING 2-5	
80	032422003	2	木螺钉 M4.1X20	WOOD SCREW, ROUND 2 M4.1X20	
81	SA7822001	1	阀门组电线	INDEXER VALVE HARNESS	
82	S42150100	1	空气接管 4X2.5-50	AIR TUBE, 4X2.5-50 L=1500	
83	S42151100	1	空气接管 4X2.5-51	AIR TUBE, 4X2.5-51 L=1500	
84	S42152100	1	空气接管 4X2.5-52	AIR TUBE, 4X2.5-52 L=1550	
85	S42153000	1	空气接管 4X2.5-53	AIR TUBE, 4X2.5-53 L=1900	
86	S41442000	1	空气接管 6X4-28	AIR TUBE, 6X4-28	
87	S04557000	12	电线夹 PLT1M	BAND PLT1M	
88	S00480000	2	电线夹 #5	CORD HOLDER 5N	
89	525567000	1	电线夹 #8	CORD HOLDER #8	
90	062401016	2	螺钉 M4X10	SCREW PAN M4X10	
91	SA7832101	1	阀电线	HAMMER VALVE CONNECT HARNESS	
92	SA7878001	1	空气接管 8X5-100	AIR TUBE 8X5-100	
93	SA7877001	1	连接管 KQ2T08-06	UNION KQ2T08-06	
94	SA7736001	1	<标准尺寸> 送布基座 L	<For standard size> FEED BASE L	
95	SA7737001	1	送布基座 R	FEED BASE R	
96	S42137001	1	送布杆	CLOTH FEED BAR	
97	SA8227001	1	<大尺寸> 送布基座 L-6H	<For large size> FEED BASE L-6H	
98	SA8228001	1	送布基座 L-6H	FEED BASE R-6H	
99	S46795001	1	送布杆 6H	CLOTH FEED BAR 6H	
100	S46798001	1	送布板 M	CLOTH FEED PLATE, M	
101	003300812	2	螺钉 M3X8	SCREW, FLAT M3X8	
102	S43810001	1	<选购件> 送布杆 F	<Option parts> CLOTH FEED BAR, F	



Z. 附件 / Accessories

参照号	零部件序号	数量	零部件名称	NAME OF PARTS	RM
1	SA5568001	1	穿线杆	THREAD SPOOL PIN	
2	021500216	1	六角螺母 M5	NUT 2 M5	
3	S07558409	1	线架组件 3DRTHF	COTTON STAND ASSY 3DRTHF	
4	S51283001	3	垫圈	SPOOL STAND BASE	
5	150182000	3	线盘软垫	SPOOL MAT	
6	S51282101	3	线轴缓冲架	SPOOL CUSHION	
7	S04109001	1	过线杆支杆	THREAD GUIDE SUPPORT BAR	
8	142997001	1	过线杆 3	THREAD GUIDE, 3	
9	150206002	1	平垫圈 16	WASHER PLAIN 16	
10	SA6629001	1	螺母 M16	NUT M16	
11	150174000	1	线架支撑管套	COLUMN CAP	
12	S01005000	2	橡皮垫圈	RUBBER WASHER	
13	S02747101	1	弹簧	SPRING	
14	150172003	1	线架支撑管	COLUMN PIPE	
15	150174000	1	线架支撑管套	COLUMN CAP	
16	156112003	1	线架撑管 D	COLUMN PIPE D	
17	150207001	1	线架支撑管	COLUMN PIPE W/SCREW	
18	150206000	1	平垫圈 16	WASHER PLAIN 16	
19	SA6606001	1	线架管接头	COLUMN JOINT	
20	150179002	3	线轴 B	SPOOL SHAFT B	
21	028050244	3	弹簧垫圈 2-5	WASHER SPRING 2-5	
22	021500104	3	螺母 M5	NUT 1 M5	
23	150188009	1	下过线架支撑板 A	SPOOL HOLDER SUPPORT, A	
24	SA6610001	1	过线架 3	SPOOL HOLDER 3	
25	SA6610001	1	过线架 3	SPOOL HOLDER 3	
26	150183000	3	过线管套	THREAD HANGER BASE	
27	142990001	3	过线架上过线管	THREAD BUSH	
28	SA6609001	2	过线架定位	SPOOL HOLDER SUPPORTER	
29	SA6615001	1	线导向架	THREAD GUIDE HOLDER	
30	138843001	1	连接器	JOINT	
31	021500104	2	螺母 M5	NUT 1 M5	
32	062061604	2	螺钉 M6X16	SCREW PAN M6X16	
33	062501404	2	螺钉 M5X14	SCREW PAN M5X14	
34	014060632	2	固定螺钉 M6X6	SET SCREW SOCKET (CP) M6X6	
35	021500104	1	螺母 M5	NUT 1 M5	
36	S37037001	1	螺钉 M5X32	SCREW PAN (S/P WASHER) M5X32	
37	062061004	1	螺钉 M6X10	SCREW PAN M6X10	
38	021500104	1	螺母 M5	NUT 1 M5	
39	031452204	1	圆头木螺钉 M4.5X22	WOOD SCREW ROUND M4.5X22	
40	062501004	1	螺钉 M5X10	SCREW PAN M5X10	
41	SA7037001	1	穿线器	THREADER	
42	149796001	1	橡皮管带接头	AIR HOSE, W/CONNECTOR	
			<用于中国以外>	<Except for China>	
			<蓝狮牌机针 DO x 558>	<Schmetz DO x 558>	
			<用于-00>#100	<For -00>#100	
43	SA1741016	1	机针组 S35133(10枚)	NEEDLE 10PIECE ASSY, S35133	
			<用于-01>#90	<For -01>#90	
43	SA1741014	1	机针组 S35133(10枚)	NEEDLE 10PIECE ASSY, S35133	
			<用于-02>#110	<For -02>#110	
43	SA1741018	1	机针组 S35133(10枚)	NEEDLE 10PIECE ASSY, S35133	
			<用于中国>	<For China>	
			<风琴牌机针 DO x 558-NY2>	<Organ Needle DO x 558-NY2>	
			<用于-00>#100	<For -00>#100	
43	SA4858016	1	机针组 SA4857(4枚)	NEEDLE 4PIECE ASSY, SA4857	
			<用于-01>#90	<For -01>#90	
43	SA4858014	1	机针组 SA4857(4枚)	NEEDLE 4PIECE ASSY, SA4857	
			<用于-02>#110	<For -02>#110	
43	SA4858018	1	机针组 SA4857(4枚)	NEEDLE 4PIECE ASSY, SA4857	

Z. 附件 / Accessories



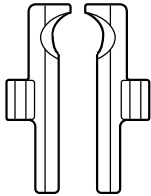
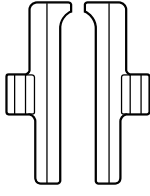
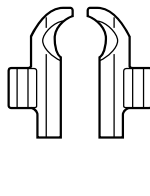
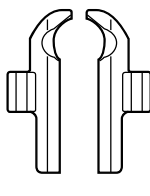
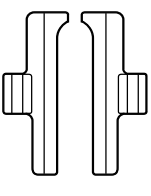
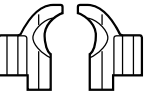
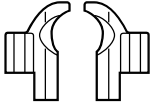
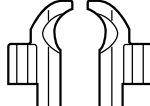
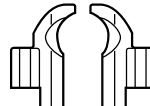
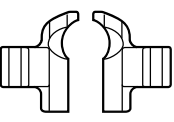
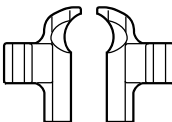
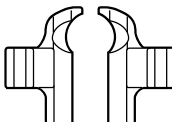
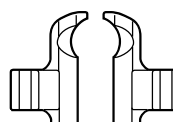
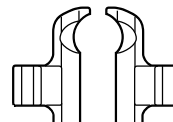
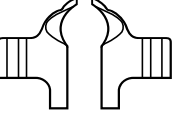
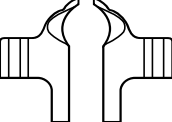
## Z. 附件 / Accessories

参照号	零部件序号	数量	零部件名称	NAME OF PARTS	RM
44	118837001	1	起子 3.4X70	SCREW-DRIVER, 3.4X70	
45	101572102	1	起子 5.5X190	SCREW-DRIVER 5.5X190	
46	114483002	1	油壶组件	OILER ASSY	
47	117466000	1	镊子	PINCETTE	
48	S55663001	1	油罐组件	OIL TANK ASSY	
49	SA3950001	1	套筒扳手	SOCKET WRENCH	
50	SA4103001	1	护眼板组件 D	EYE GUARD SET, D	
62	062400616	2	螺钉 M4X6	SCREW PAN M4X6	
63	026040136	2	平垫圈 S4	WASHER PLAIN S 4	
64	SA7038001	2	销 4	PIN 4	
65	158581000	1	电线夹 24N	CORD HOLDER, 24N	
66	S11817000	1	线夹 NK-18N	CLAMP, NK-18N	
67	032461606	2	木螺钉 M4.5X16	WOOD SCREW ROUND 2 M4.5X16	
68	S04557000	1	电线夹 PLT1M	BAND, PLT1M	
87	SA8829001	1	定位规组件	POSITIONING GAUGE ASSY	
88	SA8828001	1	定位规	POSITIONING GAUGE	
89	062300616	1	螺钉 M3X6	SCREW PAN M3X6	
90	SA9177001	1	布屑袋组件	DUST BAG ASSY	
91	SA9178001	1	布屑袋	DUST BAG	
92	SA9179001	1	挂钩	HOOK	
			<b>&lt;用于脚踏板&gt;</b>	<b>&lt;For treadle&gt;</b>	
69	133740006	3	螺栓 M6X70	BOLT SQUARE M6X70	
70	021060106	3	螺母 M6	NUT 1 M6	
71	025060236	3	平垫圈 M6	WASHER PLAIN M 6	
72	028060246	3	弹簧垫圈 2-6	WASHER SPRING 2-6	
			<b>&lt;选购件&gt;</b>	<b>&lt;Option parts&gt;</b>	
73	SA7127101	1	半沈入复合件	SUBMERGE SET	
74	SA7128001	2	L型补强板	ANGLE L	
75	133740006	10	螺栓 M6X70	BOLT SQUARE M6X70	
76	025060236	10	平垫圈 M6	WASHER PLAIN M 6	
77	028060246	10	弹簧垫圈 2-6	WASHER SPRING 2-6	
78	021060106	10	螺母 M6	NUT 1 M6	
79	SA7129001	4	底板台支撑板	BED SUPPORT PLATE P	
80	119755001	4	螺栓 M6X60	BOLT, M6X60	
81	159458009	12	橡皮垫	RUBBER SHEET	
82	025060336	4	平垫圈 L6	WASHER PLAIN L 6	
83	021060106	4	螺母 M6	NUT 1 M6	
84	S42445001	16	螺栓 M8X25	BOLT SOCKET (S/P WASHER)M8X25	
85	SA2929001	4	橡皮塞 12.5	RUBBER CAP, 12.5	
86	S55477001	3	螺栓(带垫圈) M6X16	BOLT SOCKET (S/P WASHER)M6X16	

Sp . 不同规格零部件一览表 / Different parts list

-00规格时可以安装10 - 50mm  
-01规格时可以安装10 - 42mm

**10 to 50 mm are available for -00 specification.**  
**10 to 42 mm are available for -01 specification.**

压布夹 / Work clamp					
(L)	S37679-001	S37677-101	SA5245-101	SA7086-001	SA7537-001
(R)	S37680-001	S37678-101	SA5244-101	SA7091-001	SA7536-001
(-00 · -01)	< 50mm > 	< 50mm > 	< 32mm > 	< 42mm > 	< 42mm > 
	S35455-201	S39929-101	S35197-101	S39931-101	
	S35454-201	S39930-101	S35198-101	S39932-101	
	< 10 - 18mm > 	< 18 - 22mm > 	< 22 - 26mm > 	< 26 - 30mm > 	
(-02)	SA7087-001	SA7090-001	SA6742-001	SA7088-001	SA7089-001
	SA7092-001	SA7095-001	SA6732-001	SA7093-001	SA7094-001
	< 14 - 22mm > 	< 18 - 26mm > 	< 22 - 30mm > 	< 26 - 34mm > 	< 34 - 42mm > 
	S43408-001	S43410-001			
	S43409-001	S43411-001			
	L3W < 22 - 26mm > 	L4W < 26 - 30mm > 			
< 用于腰带锁孔 / For waist belt presser >					

Sp . 不同规格零部件一览表 / Different parts list

-00规格时 42mm和50mm可以通用安装  
-01规格时只能安装在42mm

Both 42 mm and 50 mm are available for -00 specification.  
Only 42 mm is available for -01 specification.

针板 / Needle plate				
(L)	S37683-101(L-50)	S37681-101(SL-50)	SA5672-001(L-42)	SA7534-001
(R)	S37684-101(R-50)	S37682-101(SR-50)	SA5673-001(R-42)	SA7535-001
(-00 -01)	< 50mm > 	< 50mm > 	< 42mm > 	< 42mm > 

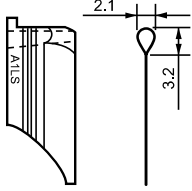
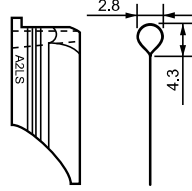
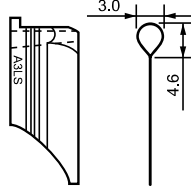
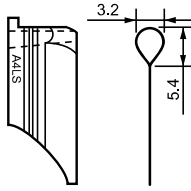
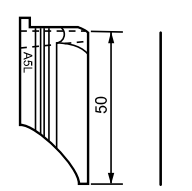
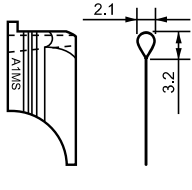
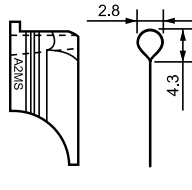
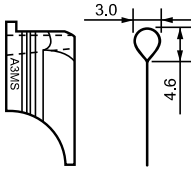
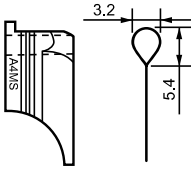
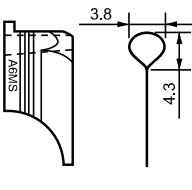
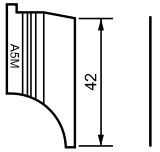
(L)	SA7097-001	SA7100-001	
(R)	SA7102-001	SA7105-001	
(-02)	< 14 - 22mm > 	< 18 - 26mm > 	
	SA6741-001	SA7098-001	SA7099-001
	SA6731-001	SA7103-001	SA7104-001
	< 22 - 30mm > 	< 26 - 34mm > 	< 34 - 42mm > 

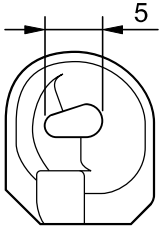
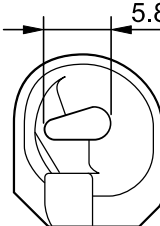
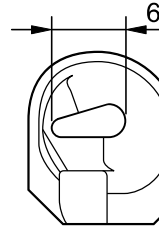
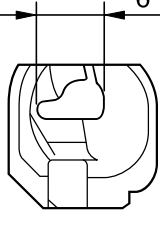
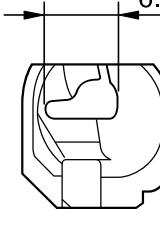
气锤 / Hammer						
(-00 -01)	尺寸 / Size (mm)	10	12	14	16	
	零部件序号 / Code	S37211-001	S37210-001	S37209-001	S37208-001	
	尺寸 / Size (mm)	18	20	22	24	
	零部件序号 / Code	S37194-001	S35092-001	S37195-001	S37196-001	
	尺寸 / Size (mm)	26	28	30	32	
	零部件序号 / Code	S37197-001	S37198-001	S37199-001	S37200-001	
	尺寸 / Size (mm)	34	36	38	42	
	零部件序号 / Code	S37201-001	S37202-001	S35093-001	SA7106-001	
尺寸 / Size (mm)	50					
零部件序号 / Code	S35479-001					
(-02)	尺寸 / Size (mm)	S10	S12	S14	S16	
	零部件序号 / Code	S37701-001	S37702-001	S37703-001	S37704-001	
	尺寸 / Size (mm)	S18	S20	S22	S24	
	零部件序号 / Code	S37705-001	S37706-001	S37707-001	S37708-001	
	尺寸 / Size (mm)	S26	S28			
	零部件序号 / Code	S37709-001	S42053-001			

气锤：标准零部件 / Hammer : Standard parts

		装着零部件 / Preinstalled parts		附带零部件 / Accessory parts	
(-00,01)		22	S37195-001	30	S37199-001
	L1826	S20	S37706-001	S24	S37708-001
(-02)	L2230	S24	S37708-001	S28	S42053-001


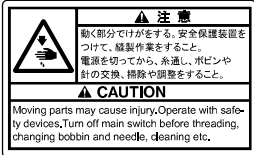





Sp . 不同规格零部件一览表 / Different parts list

切刀 / Knife				
S35438-201	S35436-201	S35481-201	S35483-201	S35409-101(S)
< 50mm >	< 50mm >	< 50mm >	< 50mm >	< 50mm >
				
SA7107-101	SA6806-101	SA7108-101	SA7109-101	SA7110-101
< 42mm >	< 42mm >	< 42mm >	< 42mm >	< 42mm >
				
SA7111-001(S)				
< 42mm >				
				

转盘板 / Throat plate			
(-00 -01)	SA7546-001	SA7065-001	SA7567-001
			
(-02)	S37752-001	SA7568-001	
			



Wa. 警告标签 / Warning labels

警告标签 Warning labels	零部件名称 Name of parts	尺寸 Size(mm)	零部件序号 Code
	感电标签(6国) Label, elec. shock 6 lang	50 X 118	J04115-001
	操作注意标签(日/英) Label, caution Jpn / Eng	52 X 84	SA0792-001
	操作注意标签(中/英) Label, caution Chn / Eng	52 X 84	SA0793-001
	警告标记 Mark, injury	L=16 R=0.8	S36924-001
	高温标志 Label, high temp	13 X 20	J03663-001
	接地标记 Label, grounding	φ 12	S37060-001
	PE标记 Label, PE	7.5 X 12.5	S37059-001

## 索引 / Index

CODE	REF.NO	Page	CODE	REF.NO	Page	CODE	REF.NO	Page	CODE	REF.NO	Page
003300812	AF -51	106	014400536	AA5 -105	92	018401636	E -22	12	021400306	Q1 -46	50
	AF -53	106	014400632	X -3	70		G -14	22		Q2 -16	52
	AF -101	108	014500632	X -16	70		AF -24	106		AA1 -51	76
004400803	AF -68	108	014500836	H -39	26	018402036	B -27	6		AA4 -71	86
004401003	A -48	2		K -2	30	018500836	AE -42	102		AA4 -114	86
	G -4	22		M -2	36	018501236	F1 -30	14		AA5 -66	92
	L -16	32	017400802	P1 -51	42		R -11	54	021400316	L -79	34
008401204	G -70	24		P2 -27	46	018501436	F2 -35	18	021500104	Z -22	110
012060636	E -5	12	017401415	P1 -47	42		F2 -53	18		Z -31	110
	E -17	12	017401616	F1 -54	14		F3 -29	20		Z -35	110
	G -10	22	018061236	E -19	12		F3 -53	20		Z -38	110
	G -13	22		H -21	26		G -48	22	021500216	P1 -62	42
	G -26	22	018061636	D -19	10		AA1 -24	76		AD -50	98
	G -30	22		G -45	22		AA1 -78	78		AF -3	106
	G -39	22		G -66	24		AA4 -20	84		Z -2	110
	G -57	22	018084036	J -28	28		AA4 -89	86	025030136	L -59	34
	G -62	22	018260832	Q1 -26	50		AA5 -84	92	025030236	L -66	34
012061036	D -15	10		AA4 -51	84		AA5 -103	92		AA2 -25	80
	H -31	26		AA5 -47	90	018501636	G -8	22		AA4 -101	86
	H -44	26	018300536	AE -32	102		G -44	22	025040136	G -15	22
	J -23	28	018300836	L -58	34		H -53	26	025040236	M -18	36
012500536	B -56	6	018301236	D -26	10		H -56	26		P1 -53	42
	D -22	10	018301436	L -10	32		X -17	70		P2 -29	46
	F1 -64	14	018301636	AE -19	102		AE -54	104		V -18	66
	H -26	26	018400636	B -61	6		AF -2	106		AD -10	98
	K -7	30		L -2	32	018502536	G -34	22		AD -46	98
	L -35	32		N -21	38	018503036	AD -66	100		AF -27	106
	M -16	36		N -31	38		AF -78	108		AF -38	106
	P1 -43	42		N -97	40	021020106	Q1 -36	50		AF -49	106
	U2 -32	64		AE -44	102		AA4 -61	84		AF -56	108
014060632	K -21	30	018400836	F1 -94	16		AA5 -57	90		AF -61	108
	Z -34	110		G -42	22		A -19	2		AF -66	108
014060636	B -59	6		N -53	38		D -10	10	025050336	AD -49	98
014060836	A -31	2		P2 -34	46		Z -70	112	025060236	F1 -109	16
	A -33	2		P2 -36	46		Z -78	112		P1 -27	42
	A -37	2		P3 -18	48		Z -83	112		AA2 -43	80
	A -39	2		P3 -31	48	021300306	F2 -29	18		Z -71	112
	H -29	26		V -8	66		F2 -47	18		Z -76	112
	H -34	26		V -17	66		F3 -23	20	025060336	A -18	2
	H -40	26		AA2 -42	80		F3 -47	20		Z -82	112
	H -46	26		AD -9	98		L -38	32	025080236	AD -38	98
	L -34	32		AD -45	98		AA1 -18	76	026030136	AD -24	98
	U1 -6	62		AE -5	102		AA1 -72	76	026040136	G -24	22
014300332	P3 -27	48		AE -10	102		AA3 -7	82		G -59	22
	AA2 -38	80		AF -37	106		AA3 -13	82		L -14	32
	AE -12	102	018401036	B -7	6		AA4 -14	84		P2 -35	46
014300832	L -73	34		B -9	6		AA4 -83	86		AE -6	102
014400532	B -38	6		F3 -37	20		AA5 -78	92		Z -63	112
	F1 -48	14		H -7	26		AA5 -97	92	026040236	F1 -19	14
	F1 -100	16		P1 -18	42	021350106	Q1 -13	50	028030243	AE -59	104
	F2 -37	18		P1 -23	42		Q2 -20	52		AF -31	106
	F2 -55	18		Q1 -8	50		AA1 -55	76		AF -47	106
	F3 -31	20		AA1 -32	76		AA4 -38	84	028040242	F1 -57	14
	F3 -55	20		AA4 -33	84		AA5 -34	90	028040246	A -46	2
	AF -33	106		AA5 -29	90	021400202	F1 -55	14		P1 -52	42
014400536	H -48	26		AD -7	98		Q2 -8	52		P2 -28	46
	AA1 -26	76	018401236	H -14	26		Y -9	72		AE -7	102
	AA1 -80	78		AF -9	106	021400206	A -44	2	028050243	AD -67	100
	AA2 -14	80		AF -13	106		H -20	26	028050244	Z -21	110
	AA4 -22	84		AF -26	106		P1 -19	42	028050246	AF -79	108
	AA4 -91	86		AF -35	106		AA1 -43	76	028060246	Z -72	112
	AA4 -123	86	018401436	G -23	22	021400306	P1 -48	42		Z -77	112
	AA5 -86	92		G -58	22		P3 -6	48	031452204	Z -39	110

CODE	REF.NO	Page	CODE	REF.NO	Page	CODE	REF.NO	Page	CODE	REF.NO	Page
031553202	U1 - 39	62	060020416	AA1 - 68	76	062300416	P3 - 9	48	062402016	L - 77	34
	U2 - 25	64		AA4 - 8	84		Q1 - 47	50	062500816	A - 29	2
032361602	AE - 30	102		AA4 - 77	86		Q2 - 22	52		J - 30	28
032422003	AD - 70	100		AA5 - 74	92		AA1 - 57	76		N - 72	40
	AF - 80	108		AA5 - 91	92		AA4 - 72	86		P1 - 11	42
032461606	Z - 67	112	060300416	L - 41	32		AA4 - 117	86		P1 - 20	42
047301042	P2 - 23	46		AA4 - 104	86		AA5 - 67	92		P1 - 30	42
047501242	A - 13	2		AF - 59	108		AD - 31	98		P1 - 32	42
048020342	AD - 29	98		AF - 64	108	062300506	L - 65	34		P1 - 54	42
048025346	P3 - 22	48	060300616	Y - 11	72		AA2 - 24	80		P1 - 60	42
	AA2 - 33	80	060300816	K - 13	30		AA4 - 100	86		P1 - 71	44
048030342	F1 - 25	14		K - 17	30	062300512	Q1 - 29	50	062501004	Z - 40	110
	F1 - 46	14		L - 82	34		AA4 - 54	84	062501202	F1 - 32	14
	F1 - 112	16		L - 84	34		AA5 - 50	90	062501216	A - 3	2
	AA2 - 12	80		AA2 - 19	80	062300616	B - 42	6		A - 6	2
	AD - 18	98	060400416	AF - 60	108		AE - 8	102		P1 - 69	44
	AF - 22	106		AF - 65	108		Z - 89	112	062501404	Z - 33	110
048050142	F1 - 27	14	060400516	L - 69	34	062300816	V - 2	66	070688850	G - 37	22
	F1 - 99	16		M - 10	36		V - 39	66	081003870	P3 - 23	48
	AA2 - 10	80		N - 86	40		AE - 15	102		AA2 - 34	80
	AA4 - 122	86		P1 - 14	42	062301016	F1 - 21	14	081008870	AD - 40	98
048050342	F1 - 8	14		P2 - 6	46		L - 37	32	081050870	H - 22	26
	F1 - 15	14		P2 - 13	46	062301414	AE - 58	104	0A4261006	X - 8	70
048060142	F1 - 110	16		Q1 - 41	50		AF - 30	106	0A4261406	AD - 35	98
	F2 - 33	18		Q2 - 29	52		AF - 46	106	0A4300805	L - 83	34
	F2 - 51	18		AA1 - 64	76	062302016	AD - 23	98	0A4300806	X - 6	70
	F3 - 27	20		AA4 - 66	86	062351615	L - 6	32		X - 14	70
	F3 - 35	20		AA5 - 61	90	062400616	N - 39	38	0A4400806	V - 29	66
	F3 - 51	20		AF - 48	106		AD - 6	98		AE - 39	102
	M - 15	36		AF - 55	106		Z - 62	112	0A4401006	X - 12	70
	P1 - 26	42	060400816	N - 94	40	062400816	A - 41	2	0A4401606	A - 8	2
	AA1 - 22	76		Y - 13	72		F1 - 20	14	0A4403506	U2 - 10	64
	AA1 - 30	76		AB - 3	96		F1 - 56	14	0A4404006	U2 - 23	64
	AA1 - 76	78		AE - 33	102		F1 - 102	16	0A5300606	X - 10	70
	AA4 - 18	84	060401016	L - 24	32		F1 - 107	16	0A5302005	V - 7	66
	AA4 - 87	86	060401216	A - 12	2		F2 - 31	18	0A5400806	J - 39	28
	AA5 - 82	92	060401416	L - 13	32		F2 - 49	18		N - 10	38
	AA5 - 101	92	060630312	Q1 - 45	50		F3 - 25	20		N - 15	38
048060342	G - 68	24		AA4 - 70	86		F3 - 49	20		N - 17	38
048080142	A - 24	2		AA5 - 65	92		H - 60	26		N - 19	38
	A - 26	2	061300416	Q1 - 24	50		J - 37	28		N - 23	38
	G - 35	22		AA4 - 49	84		M - 17	36		N - 37	38
	P2 - 9	46		AA5 - 45	90		N - 11	38		N - 43	38
	AD - 16	98	062020416	Q1 - 35	50		P1 - 73	44		N - 70	40
	AD - 39	98		AA4 - 60	84		P2 - 11	46		N - 76	40
048100142	E - 11	12		AA5 - 56	90		P3 - 13	48		P1 - 64	42
	E - 28	12	062061004	Z - 37	110		P3 - 29	48		P1 - 66	42
048120142	AF - 11	106	062061604	Z - 32	110		P3 - 34	48		V - 4	66
048150142	C - 28	8	062260406	P3 - 24	48		V - 22	66		V - 20	66
048160242	G - 31	22		AA1 - 56	76		V - 24	66		V - 32	66
048200142	J - 27	28		AA2 - 35	80		V - 40	66		V - 34	66
048220242	J - 20	28		AA4 - 39	84		X - 25	70		V - 36	66
048260242	E - 9	12		AA5 - 35	90		AA1 - 20	76		Y - 17	72
	E - 26	12	062260516	Q1 - 6	50		AA1 - 74	78		AD - 78	100
048280242	G - 64	24		Q1 - 14	50		AA2 - 8	80	0A5401006	U2 - 28	64
048320242	E - 15	12		Q2 - 21	52		AA2 - 40	80	0A5401206	U1 - 16	62
048520242	C - 20	8		Q2 - 24	52		AA4 - 16	84		U1 - 22	62
052400606	F1 - 76	16		AA1 - 59	76		AA4 - 85	86		U1 - 24	62
060020416	F2 - 23	18		AA4 - 31	84		AA4 - 125	88		U1 - 26	62
	F2 - 42	18		AA5 - 27	90		AA5 - 80	92	0B0452006	W - 6	68
	F3 - 19	20	062300416	G - 18	22		AA5 - 99	92	100645003	AE - 56	104
	F3 - 43	20		G - 51	22	062401016	C - 32	8	101572102	Z - 45	112
	AA1 - 14	76		H - 55	26		AF - 90	108	102630001	F1 - 4	14

## 索引 / Index

CODE	REF.NO	Page	CODE	REF.NO	Page	CODE	REF.NO	Page	CODE	REF.NO	Page
102630001	F1 - 11	14	150182000	Z - 5	110	554482000	U1 - 21	62	S06696004	AA1 - 69	76
102707002	P1 - 49	42	150183000	Z - 26	110		U1 - 25	62		AA4 - 10	84
104336003	Q1 - 43	50	150188009	Z - 23	110	625010000	V - 31	66		AA4 - 79	86
	AA4 - 68	86	150206000	Z - 18	110	J03663001	E - 2	12		AA5 - 75	92
	AA5 - 63	90	150206002	Z - 9	110		G - 67	24		AA5 - 93	92
104450101	N - 60	38	150207001	Z - 17	110		X - 19	70	S07558409	Z - 3	110
104821001	A - 55	2	150756000	A - 56	2		Wa	116	S10243000	J - 38	28
	P1 - 67	44		A - 57	2	J03955001	X - 2	70		N - 16	38
104833001	A - 50	2		A - 58	2	J03956001	X - 4	70		N - 22	38
	A - 51	2		A - 59	2	J03957001	X - 5	70		N - 36	38
	J - 15	28	152873001	P1 - 42	42	J03958001	X - 7	70		V - 3	66
105288001	L - 44	32	152904001	Q1 - 42	50	J03974001	W - 7	68		V - 35	66
107017001	A - 45	2		AA4 - 67	86	J04115001	S1 - 12	56		Y - 16	72
	A - 67	4		AA5 - 62	90		Wa	116	S11426000	F1 - 86	16
107155001	N - 81	40	153050000	N - 47	38	J04146001	W - 8	68		P1 - 8	42
109239001	AD - 15	98	153219001	Q1 - 17	50	J04230001	X - 11	70		AE - 29	102
	AD - 48	98		AA4 - 42	84	J04303001	X - 15	70	S11433000	AF - 41	106
109763002	F1 - 7	14		AA5 - 38	90	J04388001	X - 13	70	S11817000	Z - 66	112
	F1 - 14	14	153274001	U2 - 8	64	S00470000	U2 - 27	64	S12004000	F1 - 58	14
112753001	N - 74	40		AD - 62	100	S00480000	N - 9	38		F1 - 61	14
114483002	Z - 46	112		AF - 74	108		N - 41	38		G - 49	22
114486002	A - 28	2	153596001	AD - 14	98		N - 75	40	S12053000	R - 6	54
115947101	A - 17	2	153787001	Q2 - 30	52		P1 - 65	42	S12104000	F1 - 72	16
117466000	Z - 47	112		AA1 - 38	76		U1 - 15	62	S12150000	F1 - 90	16
118837001	Z - 44	112	154465001	A - 27	2		AE - 43	102		F1 - 104	16
119755001	Z - 80	112	154562101	P1 - 57	42		AF - 88	108		AA2 - 5	80
133740006	Z - 69	112		P2 - 19	46	S01005000	Z - 12	110		AD - 43	98
	Z - 75	112	154599000	P1 - 46	42	S01542100	AD - 63	100		AF - 7	106
137191051	Q1 - 3	50		P2 - 32	46		AF - 75	108		AF - 19	106
	Q2 - 14	52	155510001	P1 - 58	42	S01694001	Q1 - 22	50	S12718000	K - 20	30
	AA1 - 49	76	155559001	D - 12	10		AA4 - 47	84	S13955000	F1 - 36	14
	AA4 - 28	84		P2 - 31	46		AA5 - 43	90		F1 - 42	14
	AA5 - 24	90	156112003	Z - 16	110	S02460001	F1 - 59	14	S14145000	AE - 28	102
138843001	Z - 30	110	156482000	D - 23	10		F1 - 62	14	S14159000	U2 - 6	64
140553102	B - 20	6	158581000	Z - 65	112	S02657101	N - 99	40	S16603000	AE - 20	102
140682001	AD - 61	100	158722001	P3 - 7	48	S02699001	Y - 6	72	S20681000	P1 - 41	42
	AF - 73	108		AA4 - 115	86	S02747101	Z - 13	110	S20682102	P1 - 40	42
141542001	Q1 - 20	50	158827009	A - 14	2	S04109001	Z - 7	110	S20696001	P3 - 12	48
	Q2 - 11	52	158882001	A - 60	2	S04159000	P2 - 33	46		P3 - 33	48
	AA1 - 46	76	159221101	P1 - 39	42		V - 16	66	S20698221	P1 - 55	42
	AA4 - 45	84	159458009	A - 16	2	S04557000	F1 - 73	16	S21716001	Q2 - 26	52
	AA5 - 41	90		Z - 81	112		P3 - 30	48		AA1 - 61	76
142990001	Z - 27	110	159805001	P1 - 37	42		Y - 12	72	S21728001	A - 15	2
142997001	Z - 8	110		P2 - 18	46		AA2 - 41	80	S23651001	C - 4	8
144103009	P1 - 38	42	228475000	B - 52	6		AD - 51	98		C - 9	8
144504001	P1 - 56	42		J - 36	28		AD - 79	100		C - 11	8
145446001	P1 - 36	42		M - 9	36		AE - 25	102		C - 14	8
	P2 - 17	46		N - 92	40		AE - 34	102		C - 17	8
	AA2 - 36	80		P1 - 68	44		AE - 60	104		C - 19	8
145446002	P3 - 25	48		U2 - 31	64		AF - 87	108		C - 24	8
145465001	B - 4	6		V - 41	66		Z - 68	112		C - 26	8
146124001	Y - 10	72		Y - 18	72	S04897000	AF - 69	108		C - 30	8
146202000	N - 14	38	340400001	V - 25	66	S05356000	F3 - 38	20		J - 6	28
149287000	N - 69	40	3A6001001	G - 28	22		P1 - 29	42		J - 10	28
	AE - 38	102	525567000	AD - 77	100		AA1 - 33	76		J - 14	28
149547000	N - 18	38	525664000	V - 19	66	S06696004	AF - 42	106		X - 23	70
	P1 - 63	42	530138001	G - 33	22		B - 36	6	S24325001	AF - 32	106
	V - 33	66	542515001	Q1 - 37	50		F1 - 52	14	S25235001	C - 5	8
149796001	Z - 42	110		AA4 - 62	86		F2 - 19	18	S25279101	M - 20	36
150172003	Z - 14	110		AA5 - 58	90		F2 - 25	18	S25328001	B - 53	6
150174000	Z - 11	110	552907000	N - 42	38		F3 - 20	20		N - 54	38
	Z - 15	110	552908000	U1 - 23	62		F3 - 44	20		N - 73	40
150179002	Z - 20	110					AA1 - 15	76	S29700000	N - 46	38

CODE	REF.NO	Page	CODE	REF.NO	Page	CODE	REF.NO	Page	CODE	REF.NO	Page
S29700000	N -49	38	S34903001	AA4 - 35	84	S35236000	AA4 - 12	84	S35412101	L -47	32
S31568000	AE -53	104		AA5 - 31	90		AA4 - 81	86	S35413101	L -48	32
S32263001	A -52	2	S34905101	Q1 -7	50		AA5 -76	92	S35426100	U1 -3	62
	A -53	2		AA4 -32	84		AA5 -95	92	S35429101	F1 -17	14
	A -54	2		AA5 -28	90	S35239101	F1 -28	14	S35436201	Sp	115
S34569000	U1 -18	62	S34906100	Q1 -5	50	S35240001	F1 -29	14	S35438201	Sp	115
S34883001	Q1 -11	50		AA4 -30	84	S35251101	D -13	10	S35454201	Sp	113
	AA4 -36	84		AA5 -26	90	S35252001	D -17	10	S35455201	Sp	113
	AA5 -32	90	S34913001	F1 -93	16	S35284101	E -7	12	S35456101	F1 -49	14
S34884000	Q1 -44	50	S34914101	F1 -92	16	S35304001	F1 -47	14	S35457001	F1 -38	14
	AA4 -69	86	S34922101	Y -7	72	S35305001	F1 -45	14	S35458001	F1 -44	14
	AA5 -64	90	S34966001	Y -8	72	S35315001	F2 -21	18	S35472101	L -88	34
S34886001	Q1 -39	50	S34968000	F1 -22	14		F2 -40	18	S35479001	Sp	114
	AA4 -64	86	S34969001	F1 -24	14		F3 -17	20	S35481201	Sp	115
	AA5 -59	90		AD -17	98		F3 -41	20	S35483201	Sp	115
S34887001	Q1 -38	50	S34970001	F1 -83	16		AA1 -12	76	S36260000	Y -21	72
	AA4 -63	86		F1 -87	16		AA1 -66	76	S36345000	F1 -79	16
	AA5 -71	92		AD -22	98		AA4 -6	84	S36924001	A -70	4
S34888101	Q1 -33	50	S35001000	N -4	38		AA4 -75	86		Wa	116
	AA4 -58	84		N -30	38		AA5 -72	92	S37037001	Z -36	110
	AA5 -54	90	S35014001	L -27	32		AA5 -89	92	S37059001	S1 -10	56
S34889101	Q1 -30	50	S35018001	L -26	32	S35316001	F2 -22	18		Wa	116
	AA4 -55	84	S35019001	L -28	32		F2 -41	18	S37060001	A -71	4
	AA5 -51	90	S35029001	L -42	32		F3 -18	20		S1 -11	56
S34890001	Q1 -31	50		AA4 -105	86		F3 -42	20		Wa	116
	AA4 -56	84	S35032101	L -49	32		AA1 -13	76	S37194001	Sp	114
	AA5 -52	90		L -52	32		AA1 -67	76	S37195001	AA4 -126	88
S34891101	Q1 -32	50	S35033001	L -51	32		AA4 -7	84		Sp	114
	AA4 -57	84	S35034001	L -50	32		AA4 -76	86	S37196001	Sp	114
	AA5 -53	90	S35035101	L -55	34		AA5 -73	92	S37197001	Sp	114
S34892001	Q1 -34	50	S35036101	L -56	34		AA5 -90	92	S37198001	AA1 -9	74
	AA4 -59	84	S35091201	H -6	26	S35324201	F1 -78	16		Sp	114
	AA5 -55	90	S35092001	Sp	114	S35326101	F2 -8	18	S37199001	AA4 -127	88
S34893001	Q1 -28	50	S35093001	Sp	114		F2 -11	18		Sp	114
	AA4 -53	84	S35097201	H -52	26		F2 -39	18	S37200001	AA1 -10	74
	AA5 -49	90	S35098000	H -54	26		F2 -57	18		Sp	114
S34894001	Q1 -27	50	S35113001	B -32	6		F3 -33	20	S37201001	Sp	114
	AA4 -52	84	S35136001	B -40	6		F3 -57	20	S37202001	AA1 -9	74
	AA5 -48	90	S35137001	B -39	6		L -71	34		Sp	114
S34895001	Q1 -25	50	S35183000	G -16	22		Q2 -32	52	S37208001	Sp	114
	AA4 -50	84	S35197101	Sp	113		AA1 -28	76	S37209001	Sp	114
	AA5 -46	90	S35198101	Sp	113		AA1 -82	78	S37210001	Sp	114
S34896001	Q1 -23	50	S35218101	A -23	2		AA4 -24	84	S37211001	Sp	114
	AA4 -48	84	S35235001	F2 -28	18		AA4 -93	86	S37654000	Q2 -9	52
	AA5 -44	90		F2 -46	18		AA5 -11	90		AA1 -44	76
S34898001	Q1 -19	50		F3 -22	20		AA5 -14	90	S37655101	Q2 -10	52
	AA4 -44	84		F3 -46	20		AA5 -88	92		AA1 -45	76
	AA5 -40	90		AA1 -17	76		AA5 -107	92	S37660101	Q2 -7	52
S34899001	Q1 -18	50		AA1 -71	76	S35327001	F1 -53	14		AA1 -42	76
	AA4 -43	84		AA3 -5	82	S35328001	F1 -23	14	S37677101	Sp	113
	AA5 -39	90		AA3 -11	82	S35329001	F2 -20	18	S37678101	Sp	113
S34900001	Q1 -16	50		AA4 -13	84		AA4 -94	86	S37679001	Sp	113
	AA4 -41	84		AA4 -82	86	S35330001	F2 -15	18	S37680001	Sp	113
	AA5 -37	90		AA5 -77	92		AA4 -25	84	S37681101	Sp	114
S34901001	Q1 -15	50		AA5 -96	92	S35332001	B -10	6	S37682101	Sp	114
	AA4 -40	84	S35236000	F2 -27	18		D -25	10	S37683101	Sp	114
	AA5 -36	90		F2 -45	18	S35350000	F1 -34	14	S37684101	Sp	114
S34902001	Q1 -12	50		F3 -21	20		F1 -40	14	S37701001	Sp	114
	Q2 -19	52		F3 -45	20	S35351001	F1 -106	16	S37702001	Sp	114
	AA1 -54	76		AA1 -16	76		AA2 -7	80	S37703001	Sp	114
	AA4 -37	84		AA1 -70	76	S35360000	U1 -2	62	S37704001	AA1 -9	74
	AA5 -33	90		AA3 -6	82	S35409101	Sp	115		Sp	114
S34903001	Q1 -10	50		AA3 -12	82	S35410001	L -45	32	S37705001	Sp	114

## 索引 / Index

CODE	REF.NO	Page	CODE	REF.NO	Page	CODE	REF.NO	Page	CODE	REF.NO	Page
S37706001	AA1 - 9	74	S42114000	AF - 6	106	S55479001	R - 4	54	SA3950001	Z - 49	112
	AA1 - 10	74		AF - 40	106	S55481001	E - 12	12	SA4103001	Z - 50	112
	Sp	114	S42116000	AF - 10	106		E - 29	12	SA4197001	G - 56	22
S37707001	Sp	114	S42119001	AF - 15	106		N - 68	40	SA4510001	T - 12	60
S37708001	AA1 - 9	74	S42121000	AF - 17	106	S55485001	Y - 15	72	SA4629001	C - 29	8
	AA1 - 10	74	S42123001	AF - 20	106		AD - 74	100	SA4858014	Z - 43	110
	Sp	114	S42124001	AF - 21	106	S55487001	E - 3	12	SA4858016	Z - 43	110
S37709001	Sp	114	S42125100	AF - 23	106	S55663001	Z - 48	112	SA4858018	Z - 43	110
S37723101	L - 43	32	S42126101	AF - 25	106	S56911000	N - 34	38	SA5148001	W - 3	68
	AA2 - 20	80	S42128101	AF - 34	106		N - 101	40	SA5158101	C - 33	8
S37724001	L - 53	32	S42129101	AF - 36	106	S58636001	A - 49	2	SA5244101	Sp	113
	AA2 - 16	80	S42133000	AF - 39	106		X - 21	70	SA5245101	Sp	113
S37725001	L - 85	34	S42134101	AF - 43	106	S59219000	U1 - 32	62	SA5283001	U2 - 7	64
	AA2 - 17	80	S42137001	AF - 96	108	S59242101	B - 11	6	SA5360001	W - 4	68
S37752001	L - 70	34	S42138101	AF - 50	106		B - 45	6	SA5433001	V - 49	66
	AA2 - 27	80	S42139201	AF - 52	106		B - 31	6	SA5434001	V - 45	66
	Sp	115	S42140100	AF - 54	106	S59890001	AE - 55	104	SA5435001	F1 - 75	16
S37858000	Q1 - 9	50	S42141100	AF - 57	108	SA0792001	A - 69	4	SA5548001	C - 18	8
	Q2 - 27	52	S42142100	AF - 62	108		Wa	116		X - 22	70
	AA1 - 62	76	S42143200	AF - 58	108	SA0793001	A - 68	4	SA5552001	E - 10	12
	AA4 - 34	84		AF - 63	108		Wa	116		E - 27	12
	AA5 - 30	90	S42148101	AD - 65	100	SA1741014	Z - 43	110	SA5557001	F1 - 5	14
S38170001	Y - 20	72		AF - 77	108	SA1741016	Z - 43	110		F1 - 12	14
S38174000	Y - 22	72	S42150100	AF - 82	108	SA1741018	Z - 43	110	SA5558001	F1 - 37	14
S38175101	Y - 23	72	S42151100	AF - 83	108	SA1828001	F1 - 82	16		F1 - 43	14
S38176101	Y - 24	72	S42152100	AF - 84	108	SA2929001	Z - 85	112	SA5560001	F2 - 30	18
S39115100	U2 - 5	64	S42153000	AF - 85	108	SA3040001	N - 57	38		F2 - 48	18
	AD - 60	98	S42445001	Z - 84	112	SA3060001	N - 58	38		F3 - 24	20
	AF - 72	108	S42838301	Y - 19	72	SA3227001	P2 - 20	46		F3 - 48	20
S39116100	U2 - 2	64	S43408001	AA3 - 3	82	SA3345001	P1 - 45	42		AA1 - 19	76
	AD - 64	100		Sp	113	SA3581101	S1 - 13	56		AA1 - 73	76
	AF - 76	108	S43409001	AA3 - 9	82	SA3720101	S1 - 2	56		AA4 - 15	84
S39914001	Y - 4	72		Sp	113	SA3722001	S1 - 7	56		AA4 - 84	86
S39929101	Sp	113	S43410001	AA3 - 3	82	SA3739601	S1 - 5	56		AA5 - 79	92
S39930101	Sp	113		Sp	113	SA3744001	S1 - 6	56		AA5 - 98	92
S39931101	F2 - 44	18	S43411001	AA3 - 9	82	SA3762001	S2 - 6	58	SA5561001	F1 - 96	16
	AA4 - 80	86		Sp	113	SA3765001	S2 - 2	58	SA5562001	G - 17	22
	Sp	113	S43810001	AF - 102	108	SA3766001	S2 - 3	58		G - 50	22
S39932101	F2 - 26	18	S46795001	AF - 99	108	SA3767001	S2 - 4	58	SA5563001	H - 28	26
	AA4 - 11	84	S46798001	AF - 100	108	SA3768001	S2 - 5	58		H - 38	26
	Sp	113	S47270001	J - 7	28	SA3769001	S2 - 7	58		H - 41	26
S41337001	AA5 - 6	90	S47932001	L - 54	32	SA3770001	S2 - 8	58	SA5564001	C - 13	8
	AA5 - 21	90		AA2 - 18	80	SA3771001	S2 - 9	58		C - 16	8
	AA5 - 94	92	S49078001	L - 87	34	SA3784001	Y - 25	72		J - 9	28
	AA6 - 1	94	S49079001	L - 89	34	SA3789101	T - 11	60	SA5565001	K - 11	30
S41340001	AA5 - 5	90	S49484000	S1 - 8	56	SA3794001	S2 - 10	58		M - 6	36
	AA5 - 20	90	S49992000	N - 40	38	SA3795001	S2 - 11	58	SA5566001	N - 79	40
	AA6 - 2	94	S50168001	J - 21	28	SA3796001	S1 - 14	56	SA5567001	N - 78	40
S41341001	AA5 - 92	92	S51020000	N - 35	38	SA3806001	S1 - 9	56		N - 80	40
	AA6 - 3	94		N - 102	40	SA3808101	S1 - 3	56	SA5568001	P1 - 61	42
S41344001	AA6 - 4	94	S51282101	Z - 6	110	SA3809001	T - 8	60		Z - 1	110
S41345001	AA6 - 5	94	S51283001	Z - 4	110	SA3812001	T - 7	60	SA5570001	B - 2	6
S41346001	AA6 - 6	94	S52431000	P2 - 22	46	SA3813001	T - 1	60		J - 19	28
S41347001	AA6 - 7	94	S52832000	L - 19	32	SA3816001	T - 6	60	SA5571001	C - 3	8
S41348001	AA6 - 8	94	S53488000	F1 - 35	14	SA3819001	T - 3	60		J - 5	28
S41349001	AA6 - 9	94		F1 - 41	14	SA3822001	T - 2	60		L - 4	32
S41424001	AD - 28	98	S53917000	AE - 14	102	SA3823001	T - 5	60	SA5572001	C - 8	8
S41442000	AD - 69	100	S53922001	AE - 61	104	SA3824001	T - 15	60		J - 26	28
	AE - 37	102	S53928001	AE - 27	102	SA3825001	T - 4	60	SA5573001	C - 12	8
	AF - 86	108	S53982000	U2 - 3	64	SA3826001	T - 9	60		J - 8	28
S42053001	AA1 - 10	74	S55476001	G - 52	22	SA3827001	T - 10	60	SA5574001	E - 8	12
	Sp	114	S55477001	A - 22	2	SA3828001	T - 14	60		E - 25	12
S42112100	AF - 4	106		Z - 86	112		T - 13	60	SA5576001	AA4 - 21	84

CODE	REF.NO	Page	CODE	REF.NO	Page	CODE	REF.NO	Page	CODE	REF.NO	Page
SA5576101	F2 - 36	18	SA5741001	V - 38	66	SA6546001	W - 5	68	SA6728101	F3 - 1	20
SA5577101	F2 - 54	18	SA5746001	A - 1	2	SA6547001	W - 1	68		AA1 - 3	74
	AA4 - 90	86	SA5747001	A - 2	2	SA6550001	W - 2	68	SA6729001	F3 - 15	20
SA5578001	F1 - 13	14	SA5749001	A - 4	2	SA6554201	S1 - 4	56		AA1 - 11	76
SA5579001	F1 - 6	14	SA5750001	A - 5	2	SA6567101	Y - 1	72	SA6731001	F3 - 2	20
SA5582001	F1 - 31	14	SA5751001	A - 7	2	SA6573001	U1 - 36	62		AA1 - 4	74
SA5583001	F1 - 18	14	SA5752201	A - 9	2	SA6606001	Z - 19	110		Sp	114
SA5584001	F1 - 26	14	SA5753001	A - 10	2	SA6609001	Z - 28	110	SA6732001	F3 - 3	20
	G - 69	24	SA5754001	A - 20	2	SA6610001	Z - 24	110		AA1 - 5	74
	AA4 - 128	88	SA5763001	A - 21	2		Z - 25	110		Sp	113
SA5585101	F2 - 34	18	SA5764001	A - 25	2	SA6615001	Z - 29	110	SA6733001	F3 - 26	20
	F3 - 28	20	SA5765101	A - 30	2	SA6618001	V - 5	66		AA1 - 21	76
	AA1 - 23	76	SA5766001	A - 32	2	SA6629001	Z - 10	110	SA6734101	F3 - 30	20
	AA4 - 19	84	SA5791101	A - 34	2	SA6636001	V - 46	66		AA1 - 25	76
	AA5 - 83	92	SA5792001	A - 35	2	SA6652001	B - 3	6		AA5 - 85	92
SA5671101	F2 - 52	18	SA5802001	A - 36	2	SA6653001	B - 5	6		AA6 - 11	94
	F3 - 52	20	SA5803001	A - 40	2	SA6654101	B - 6	6	SA6735001	F3 - 34	20
	AA1 - 77	78	SA5804001	A - 42	2	SA6655001	B - 8	6		AA1 - 29	76
	AA4 - 88	86	SA5805001	A - 47	2	SA6656001	B - 12	6	SA6737001	F3 - 39	20
	AA5 - 102	92	SA5810001	A - 61	2	SA6657001	B - 13	6		AA1 - 34	76
SA5672001	F2 - 43	18	SA5811001	A - 62	2	SA6659001	B - 15	6	SA6738101	F3 - 4	20
	AA4 - 78	86	SA5819001	A - 63	4	SA6661001	C - 7	8		AA1 - 6	74
	Sp	114	SA5820001	A - 64	4	SA6662001	C - 10	8	SA6739001	F3 - 5	20
SA5673001	F2 - 24	18	SA5821001	A - 65	4	SA6667001	C - 15	8		F3 - 12	20
	AA4 - 9	84	SA5830001	B - 22	6	SA6668001	C - 21	8		AA1 - 65	76
	Sp	114	SA5833001	B - 26	6	SA6669001	C - 22	8	SA6741001	F3 - 6	20
SA5674001	F2 - 32	18	SA5834001	B - 28	6	SA6671001	C - 23	8		AA1 - 7	74
	F2 - 50	18	SA5835101	B - 29	6	SA6673001	C - 25	8		Sp	114
	F3 - 50	20	SA5837101	B - 34	6	SA6674001	C - 27	8	SA6742001	F3 - 7	20
	AA1 - 75	78	SA5842001	B - 57	6	SA6676001	C - 31	8		AA1 - 8	74
	AA4 - 17	84	SA5843001	B - 50	6	SA6677001	D - 1	10		Sp	113
	AA4 - 86	86	SA5849001	B - 51	6	SA6678001	D - 2	10	SA6743101	F3 - 54	20
	AA5 - 81	92	SA5850001	B - 54	6	SA6682001	D - 7	10		AA1 - 79	78
	AA5 - 100	92	SA5865001	B - 55	6	SA6684001	D - 8	10		AA5 - 104	92
SA5675001	F1 - 50	14	SA5880001	B - 58	6	SA6685001	D - 9	10		AA6 - 10	94
SA5676001	F1 - 51	14	SA5889001	B - 60	6	SA6686001	D - 11	10	SA6744001	G - 1	22
SA5677001	F1 - 2	14	SA5890001	C - 1	8	SA6687001	D - 14	10	SA6745001	G - 2	22
SA5678001	F1 - 9	14	SA5893001	C - 2	8	SA6688001	D - 16	10	SA6747001	G - 5	22
SA5679001	F1 - 89	16	SA5897001	C - 6	8	SA6691001	D - 18	10	SA6748101	G - 6	22
SA5680001	F1 - 95	16	SA5907001	B - 37	6	SA6692001	D - 20	10	SA6749001	G - 7	22
SA5681001	F1 - 65	16	SA5908001	B - 41	6	SA6693001	D - 21	10	SA6750001	G - 9	22
SA5682001	F1 - 66	16	SA5919001	B - 43	6	SA6694001	D - 24	10	SA6751101	G - 11	22
SA5683001	F1 - 67	16	SA5920001	B - 44	6	SA6695001	E - 4	12	SA6752101	G - 12	22
SA5684001	F1 - 68	16	SA5923001	B - 46	6	SA6699001	E - 13	12	SA6753201	G - 19	22
SA5688101	F1 - 74	16	SA5936001	B - 1	6	SA6702001	E - 14	12	SA6754001	G - 20	22
SA5690001	F1 - 1	14	SA6364001	S1 - 1	56	SA6703001	E - 16	12	SA6755001	G - 25	22
SA5691001	F1 - 63	14	SA6517001	G - 54	22	SA6704001	E - 18	12	SA6756001	G - 27	22
SA5692001	F1 - 60	14	SA6518001	G - 55	22	SA6705001	E - 20	12	SA6757201	G - 29	22
SA5693001	Q1 - 4	50	SA6521001	G - 21	22	SA6707001	E - 21	12	SA6760001	G - 32	22
	Q2 - 15	52	SA6522001	G - 22	22	SA6711001	E - 24	12	SA6761001	G - 36	22
	AA1 - 50	76	SA6526101	U2 - 26	64	SA6712001	E - 30	12	SA6762001	G - 38	22
	AA4 - 29	84	SA6527001	F1 - 91	16	SA6713001	E - 31	12	SA6763001	G - 40	22
	AA5 - 25	90	SA6530001	V - 1	66	SA6714001	E - 32	12	SA6765201	G - 43	22
SA5696001	V - 6	66	SA6531101	V - 26	66	SA6718001	AA2 - 3	80	SA6766001	G - 46	22
SA5729001	V - 10	66	SA6532001	V - 42	66	SA6719001	F1 - 103	16	SA6767001	G - 47	22
SA5730001	V - 11	66	SA6533001	V - 14	66		AA2 - 4	80	SA6768001	G - 53	22
SA5731001	V - 12	66	SA6535001	V - 43	66	SA6720001	F1 - 105	16	SA6769001	G - 60	22
SA5732001	V - 13	66	SA6536001	V - 44	66		AA2 - 6	80	SA6770001	G - 61	22
SA5733001	V - 21	66	SA6537001	P3 - 21	48	SA6721001	F1 - 108	16	SA6771001	G - 63	22
SA5734201	V - 23	66		AA2 - 32	80		AA2 - 9	80	SA6772001	G - 65	24
SA5737001	V - 28	66	SA6538001	P1 - 50	42	SA6726001	F1 - 111	16	SA6773401	H - 1	26
SA5738001	V - 30	66	SA6539001	P2 - 26	46		AA2 - 11	80	SA6776301	H - 8	26
SA5740001	V - 37	66	SA6542001	E - 1	12	SA6727001	F1 - 77	16	SA6777001	H - 9	26

## 索引 / Index

CODE	REF.NO	Page	CODE	REF.NO	Page	CODE	REF.NO	Page	CODE	REF.NO	Page
SA6778301	H - 10	26	SA6861001	L - 29	32	SA6938001	N - 89	40	SA6996001	Q2 - 12	52
SA6781001	H - 13	26	SA6863001	L - 31	32	SA6939001	N - 90	40		AA1 - 47	76
SA6782001	H - 15	26	SA6864001	L - 32	32	SA6940001	N - 91	40	SA6998101	AA1 - 52	76
SA6783001	H - 16	26	SA6865001	L - 33	32	SA6941001	N - 93	40		Q2 - 17	52
SA6784001	H - 17	26	SA6866001	L - 36	32	SA6942001	N - 96	40	SA6999101	AA1 - 53	76
SA6785001	H - 18	26	SA6867001	L - 39	32	SA6944001	P1 - 2	42		Q2 - 18	52
SA6786001	H - 19	26	SA6868201	AA2 - 15	80	SA6945001	P1 - 3	42	SA7001001	Q2 - 23	52
SA6787001	H - 23	26		L - 91	34	SA6947101	P1 - 5	42		AA1 - 58	76
SA6789001	H - 25	26	SA6872001	L - 57	34	SA6948101	P1 - 6	42	SA7002101	AA1 - 60	76
SA6790001	H - 27	26	SA6873001	L - 68	34	SA6949001	P1 - 7	42		Q2 - 25	52
SA6791001	H - 30	26		AA2 - 21	80	SA6950001	P1 - 9	42	SA7003001	Q2 - 28	52
SA6792001	H - 32	26	SA6874001	L - 62	34	SA6951001	P1 - 12	42		AA1 - 63	76
SA6793001	H - 33	26	SA6875001	L - 72	34	SA6952001	P1 - 13	42	SA7007001	R - 5	54
SA6794001	H - 35	26	SA6876001	L - 74	34	SA6953001	P1 - 15	42	SA7008001	R - 7	54
SA6795001	H - 36	26	SA6877001	L - 75	34	SA6954001	P1 - 16	42	SA7011001	R - 10	54
SA6797001	H - 42	26	SA6878001	L - 76	34	SA6955001	P1 - 21	42		AD - 21	98
SA6798001	H - 43	26	SA6879001	L - 78	34	SA6956101	P1 - 24	42	SA7012001	X - 18	70
SA6799001	H - 45	26	SA6880001	L - 80	34	SA6957001	P1 - 25	42	SA7013001	X - 20	70
SA6800001	H - 47	26	SA6881001	L - 81	34	SA6958001	P1 - 28	42	SA7014001	X - 24	70
	AA2 - 13	80	SA6882101	M - 1	36	SA6959001	P1 - 31	42	SA7016101	U1 - 4	62
SA6804001	H - 57	26	SA6883101	M - 3	36	SA6960101	P1 - 33	42	SA7017001	U1 - 5	62
SA6806101	H - 61	26	SA6885001	M - 5	36	SA6961001	P1 - 34	42	SA7018001	U1 - 7	62
	Sp	115	SA6886001	M - 7	36	SA6962001	P1 - 35	42	SA7019001	U1 - 8	62
SA6807001	J - 1	28		N - 77	40	SA6963001	P1 - 59	42	SA7020001	U1 - 9	62
SA6809001	J - 3	28	SA6887001	M - 8	36	SA6965001	P1 - 70	44	SA7021001	U1 - 10	62
SA6810001	J - 4	28	SA6888001	M - 12	36	SA6966001	P1 - 72	44	SA7022001	U1 - 11	62
SA6812001	J - 11	28	SA6890001	M - 14	36	SA6969201	P2 - 7	46	SA7023001	U1 - 13	62
SA6814001	J - 13	28	SA6891001	M - 19	36	SA6970001	P2 - 8	46	SA7024101	U1 - 17	62
SA6815001	J - 16	28	SA6892001	M - 21	36	SA6971101	AA4 - 107	86	SA7031001	U2 - 11	64
SA6817001	J - 18	28	SA6893001	N - 1	38		P2 - 4	46	SA7032001	U2 - 4	64
SA6819001	J - 22	28	SA6896001	N - 5	38	SA6972001	P2 - 10	46	SA7033001	U2 - 9	64
SA6821001	J - 25	28	SA6897001	N - 6	38	SA6973001	P2 - 12	46	SA7034001	U2 - 12	64
SA6822001	J - 29	28	SA6898001	N - 7	38	SA6974001	P2 - 5	46	SA7035001	U2 - 13	64
SA6823001	J - 31	28	SA6899001	N - 8	38		AA4 - 108	86	SA7037001	Z - 41	110
SA6824001	J - 32	28	SA6900001	N - 12	38	SA6975101	P2 - 15	46	SA7038001	Z - 64	112
SA6825001	J - 33	28	SA6901101	N - 13	38	SA6977001	P2 - 21	46	SA7043001	F1 - 81	16
SA6826001	J - 34	28	SA6902001	N - 20	38	SA6979001	P2 - 25	46	SA7044001	A - 38	2
SA6827001	J - 35	28	SA6903001	N - 24	38	SA6980001	P2 - 30	46	SA7046001	U2 - 29	64
SA6828001	K - 1	30	SA6904001	N - 25	38	SA6981001	P3 - 11	48	SA7047001	U2 - 30	64
SA6829001	K - 4	30	SA6906001	N - 27	38		P3 - 32	48	SA7050001	F1 - 85	16
SA6830001	K - 5	30	SA6907001	N - 28	38	SA6982001	P3 - 17	48	SA7053001	F1 - 97	16
SA6831001	K - 6	30	SA6908001	N - 29	38		AA2 - 29	80		AA4 - 120	86
SA6832101	K - 18	30	SA6909001	N - 32	38	SA6983101	AA2 - 30	80	SA7054001	F1 - 98	16
SA6833001	K - 19	30	SA6910001	N - 33	38		P3 - 19	48		AA4 - 121	86
SA6834001	K - 8	30	SA6911001	N - 38	38	SA6984001	P3 - 20	48	SA7055101	F2 - 12	18
SA6835001	K - 9	30	SA6912001	N - 44	38		AA2 - 31	80		AA4 - 3	84
SA6836001	K - 10	30	SA6913001	N - 45	38	SA6985101	H - 59	26	SA7056001	F2 - 13	18
SA6837001	K - 12	30	SA6914001	N - 48	38	SA6986101	AA2 - 37	80		AA4 - 4	84
SA6838001	K - 14	30	SA6915001	N - 50	38		P3 - 26	48		AA5 - 18	90
SA6839001	K - 15	30	SA6918001	N - 51	38	SA6987001	P3 - 28	48	SA7060101	F2 - 16	18
SA6840001	K - 16	30	SA6919001	N - 52	38		AA2 - 39	80		AA4 - 73	86
SA6841101	L - 1	32	SA6920201	N - 56	38	SA6988001	Q2 - 1	52	SA7061001	F2 - 17	18
SA6844001	L - 3	32	SA6923001	N - 61	38		AA1 - 35	76		AA4 - 74	86
SA6845001	L - 5	32	SA6924001	N - 62	38	SA6989001	Q2 - 2	52		AA5 - 69	92
SA6848001	L - 7	32	SA6925001	N - 63	38		AA1 - 36	76	SA7063001	L - 60	34
SA6849001	L - 8	32	SA6926001	N - 64	38	SA6990101	AA1 - 37	76		AA4 - 97	86
SA6851001	L - 11	32	SA6927001	N - 65	38		Q2 - 3	52	SA7064001	L - 40	32
SA6852001	L - 12	32	SA6928001	N - 66	38	SA6991001	Q2 - 4	52		AA4 - 103	86
SA6853001	L - 15	32	SA6929001	N - 67	40		AA1 - 39	76	SA7065001	L - 70	34
SA6857001	L - 20	32	SA6930001	N - 71	40	SA6992001	Q2 - 5	52		AA4 - 106	86
SA6858001	L - 21	32	SA6932001	N - 82	40		AA1 - 40	76		Sp	115
SA6859001	L - 23	32	SA6936001	N - 87	40	SA6994001	Q2 - 6	52	SA7067201	AA2 - 28	80
SA6860001	L - 25	32	SA6937101	N - 88	40		AA1 - 41	76		P2 - 2	46



CODE	REF.NO	Page	CODE	REF.NO	Page	CODE	REF.NO	Page	CODE	REF.NO	Page
SA7068001	P3 - 1	48	SA7105001	AA1 - 4	74	SA7555001	F1 - 101	16	SA7755101	AA1 - 6	74
	AA4 - 109	86		Sp	114		AA4 - 124	88	SA7756101	AA1 - 1	74
SA7069001	P3 - 2	48	SA7106001	AA1 - 10	74	SA7556001	A - 11	2	SA7757101	AA1 - 3	74
	AA4 - 110	86		Sp	114		G - 41	22	SA7758101	AA1 - 2	74
SA7070001	P3 - 3	48	SA7107101	Sp	115	SA7567001	Sp	115	SA7761001	AD - 4	98
	AA4 - 111	86	SA7108101	Sp	115	SA7568001	Sp	115	SA7762101	AA1 - 6	74
SA7071001	P3 - 4	48	SA7109101	Sp	115	SA7578001	L - 61	34	SA7764101	AA1 - 1	74
	AA4 - 112	86	SA7110101	Sp	115		AA4 - 96	86	SA7768101	AA1 - 2	74
SA7072001	P3 - 5	48	SA7111001	Sp	115	SA7580001	U1 - 38	62	SA7769001	AD - 11	98
	AA4 - 113	86	SA7118001	Q2 - 31	52	SA7581001	U2 - 24	64	SA7770001	AD - 34	98
SA7073001	P3 - 8	48	SA7119001	V - 47	66	SA7583001	U1 - 28	62	SA7771101	AA1 - 1	74
	AA4 - 116	86	SA7121001	Y - 2	72	SA7584001	U1 - 29	62	SA7772001	AD - 13	98
SA7074001	P3 - 10	48	SA7122001	Y - 3	72	SA7585001	U1 - 30	62	SA7773001	AA2 - 1	80
	AA4 - 118	86	SA7123001	Y - 5	72	SA7586001	U1 - 31	62	SA7775001	AA3 - 2	82
SA7076001	Q1 - 21	50	SA7124001	Y - 14	72	SA7587001	U1 - 33	62	SA7776001	AA3 - 8	82
	AA4 - 46	84	SA7127101	Z - 73	112	SA7588001	U1 - 34	62	SA7777001	AA3 - 1	82
	AA5 - 42	90	SA7128001	Z - 74	112	SA7589001	U1 - 35	62	SA7778001	Q1 - 2	50
SA7077001	Q1 - 40	50	SA7129001	Z - 79	112	SA7591101	U2 - 16	64		Q2 - 13	52
	AA4 - 65	86	SA7131001	F1 - 113	16	SA7592101	U2 - 17	64		AA1 - 48	76
	AA5 - 60	90		AA2 - 2	80	SA7593001	U2 - 18	64		AA4 - 27	84
SA7079101	F2 - 1	18	SA7134001	P1 - 10	42	SA7594001	U2 - 19	64		AA5 - 23	90
SA7080001	F2 - 2	18	SA7149001	F2 - 7	18	SA7595001	U1 - 37	62	SA7779001	AA3 - 2	82
	AA5 - 3	90		AA5 - 10	90	SA7596001	U2 - 21	64	SA7780001	AA3 - 8	82
SA7082201	F2 - 4	18	SA7150101	F2 - 9	18	SA7597001	U2 - 22	64	SA7781001	AA3 - 1	82
SA7083001	F2 - 5	18		AA5 - 12	90	SA7598001	U2 - 20	64	SA7782101	AA4 - 2	84
	AA5 - 8	90	SA7151101	F2 - 10	18	SA7609001	B - 35	6	SA7783001	AA4 - 95	86
SA7085001	U2 - 1	64		AA5 - 13	90	SA7613001	L - 63	34	SA7784101	AA4 - 1	84
SA7086001	Sp	113	SA7159001	U1 - 14	62		AA2 - 22	80	SA7793001	F1 - 115	16
SA7087001	AA1 - 8	74	SA7175201	P2 - 14	46		AA4 - 98	86		AE - 24	102
	Sp	113	SA7176001	F1 - 3	14	SA7614001	L - 64	34	SA7794001	S2 - 12	58
SA7088001	AA1 - 8	74		F1 - 10	14		AA2 - 23	80	SA7795001	F1 - 114	16
	Sp	113	SA7178001	N - 95	40		AA4 - 99	86	SA7802101	AA5 - 2	90
SA7089001	AA1 - 8	74	SA7186101	F3 - 11	20	SA7615001	L - 67	34	SA7803201	AA5 - 7	90
	Sp	113		AA1 - 6	74		AA2 - 26	80	SA7804101	AA5 - 1	90
SA7090001	F3 - 14	20	SA7187101	F3 - 8	20		AA4 - 102	86	SA7805101	AA5 - 17	90
	AA1 - 8	74		AA1 - 3	74	SA7634101	L - 86	34	SA7806101	AA5 - 16	90
	Sp	113	SA7204101	L - 17	32	SA7642001	AE - 13	102	SA7807101	AA5 - 68	92
SA7091001	Sp	113	SA7293001	V - 15	66	SA7643001	AE - 57	104	SA7808101	AA5 - 15	90
SA7092001	AA1 - 5	74	SA7488001	V - 27	66	SA7726101	AA3 - 4	82	SA7817001	AF - 18	106
	Sp	113	SA7494001	P1 - 17	42	SA7727101	AA3 - 10	82	SA7818001	AF - 28	106
SA7093001	AA1 - 5	74		P1 - 22	42	SA7728101	AA1 - 3	74	SA7819001	AF - 44	106
	Sp	113	SA7526001	Q1 - 1	50	SA7733001	AF - 8	106	SA7820001	AE - 31	102
SA7094001	AA1 - 5	74		AA4 - 26	84	SA7734001	AF - 12	106	SA7821001	AD - 71	100
	Sp	113		AA5 - 22	90	SA7735001	AF - 14	106	SA7822001	AF - 81	108
SA7095001	F3 - 10	20	SA7527001	F1 - 16	14	SA7736001	AF - 94	108	SA7832101	AE - 40	102
	AA1 - 5	74	SA7531001	B - 47	6	SA7737001	AF - 95	108		AF - 91	108
	Sp	113	SA7534001	Sp	114	SA7738001	AF - 67	108	SA7873001	AF - 5	106
SA7097001	AA1 - 7	74	SA7535001	Sp	114	SA7739001	AD - 44	98	SA7874001	AF - 16	106
	Sp	114	SA7536001	Sp	113	SA7740001	AD - 27	98	SA7875001	AD - 58	98
SA7098001	AA1 - 7	74	SA7537001	Sp	113	SA7741001	AD - 8	98		AF - 70	108
	Sp	114	SA7546001	L - 90	34	SA7742001	AD - 30	98	SA7876001	AD - 59	98
SA7099001	AA1 - 7	74		Sp	115	SA7743001	AD - 37	98		AF - 71	108
	Sp	114	SA7547101	L - 46	32	SA7744001	AD - 12	98	SA7877001	AD - 72	100
SA7100001	F3 - 13	20	SA7550001	F2 - 38	18	SA7745001	AD - 47	98		AE - 35	102
	AA1 - 7	74		F3 - 32	20	SA7746001	AD - 3	98		AF - 93	108
	Sp	114		AA1 - 27	76	SA7747001	AD - 26	98	SA7878001	AD - 73	100
SA7102001	AA1 - 4	74		AA4 - 23	84	SA7748101	AA1 - 2	74		AE - 36	102
	Sp	114		AA5 - 87	92	SA7749101	AA1 - 6	74		AF - 92	108
SA7103001	AA1 - 4	74	SA7551001	F2 - 56	18	SA7750101	AA1 - 1	74	SA7931001	AD - 1	98
	Sp	114		F3 - 56	20	SA7751101	AA1 - 2	74	SA79310E1	AD - 1	98
SA7104001	AA1 - 4	74		AA1 - 81	78	SA7752101	AA1 - 1	74	SA7932001	AD - 2	98
	Sp	114		AA4 - 92	86	SA7753101	AA1 - 3	74	SA7933001	AD - 20	98
SA7105001	F3 - 9	20		AA5 - 106	92	SA7754101	AA1 - 2	74	SA7934001	AD - 32	98

## 索引 / Index

CODE	REF.NO	Page	CODE	REF.NO	Page	CODE	REF.NO	Page	CODE	REF.NO	Page
SA7935001	AD -33	98	SA9178001	Z -91	112						
SA7936001	AD -42	98	SA9179001	Z -92	112						
SA7937001	AD -52	98	SA9255001	H -49	26						
SA7938001	AD -53	98	SA9313001	AE -1	102						
SA7939001	AD -54	98	SA93130E1	AE -1	102						
SA7940001	AD -55	98	SA9314001	AE -50	104						
SA7941001	AD -56	98	SA9327001	AE -2	102						
SA7942001	AD -57	98	SA9328001	AE -3	102						
SA7943001	AD -68	100	SA9329001	AE -4	102						
SA7973001	F1 -69	16	SA9330001	AE -9	102						
SA7974001	F1 -70	16	SA9331001	AE -11	102						
SA7975001	F1 -71	16	SA9332001	AE -16	102						
SA7976001	F1 -116	16	SA9333001	AE -17	102						
SA7977001	F1 -117	16	SA9334001	AE -18	102						
SA7978001	F1 -118	16	SA9335001	AE -21	102						
SA7983001	S2 -1	58	SA9336001	AE -22	102						
SA8001001	M -11	36	SA9337001	AE -23	102						
SA8003001	U1 -40	62	SA9338001	AE -48	102						
SA8009001	N -98	40	SA9339001	AE -48	102						
SA8011001	N -100	40	SA9340001	AE -48	102						
SA8040001	U1 -12	62	SA9341001	AE -48	102						
SA8077001	AB -1	96	SA9342001	AE -49	104						
SA80770E1	AB -1	96	SA9343001	AE -49	104						
SA8079101	AF -1	106	SA9385001	B -16	6						
SA80791E1	AF -1	106	SA9386001	B -17	6						
SA8080101	AF -1	106	SA9387001	B -18	6						
SA80801E1	AF -1	106	SA9388001	B -19	6						
SA8094001	P2 -16	46	SA9411001	AE -47	102						
SA8095001	P2 -37	46	SA9479001	AC -6	96						
SA8101001	N -103	40	SA9480001	AC -7	96						
SA8119001	U1 -27	62	SA9527001	AC -5	96						
SA8120101	U2 -15	64	SA95270E1	AC -5	96						
SA8121001	G -3	22	SA9528001	A -43	2						
SA8227001	AF -97	108		A -66	4						
SA8228001	AF -98	108									
SA8232001	AE -51	104									
SA8233001	AE -52	104									
SA8234001	AE -26	102									
SA8237001	AE -41	102									
SA8243001	AD -25	98									
SA8253001	AD -19	98									
SA8254001	AD -41	98									
SA8279001	N -55	38									
SA8297001	AD -75	100									
	AE -45	102									
SA8298001	AD -76	100									
	AE -46	102									
SA8358001	AD -5	98									
SA8359001	AB -2	96									
SA8363001	AB -4	96									
SA8435001	X -1	70									
SA8534001	AF -29	106									
	AF -45	106									
SA8828001	Z -88	112									
SA8829001	Z -87	112									
SA8889001	R -2	54									
SA8890001	R -3	54									
SA9113001	X -9	70									
SA9131001	F3 -36	20									
	AA1 -31	76									
SA9132001	F3 -58	20									
SA9176001	U1 -20	62									
SA9177001	Z -90	112									

# MEMO