

MAUSER
S P E Z I A L

ML 8126

自动针距电脑平缝机

Automatic Stitch Computer Sewing Machine



“毛瑟”品牌的历史里程碑 / *Milestones in the history of trademark “MAUSER”*

- 1812 The royal armaments factory in Oberndorf is founded
位于奥伯恩多夫的皇家军备制造厂成立
- 1872 Company founded by the Mauser brothers
毛瑟兄弟成立公司
- 1920 After world war one, the company expands its portfolio, inter alia to measuring devices and automobiles, like the Mauser Mono-Track-Car
第一次世界大战后，公司主要投资于测量仪器和汽车行业，比如毛瑟的单轨道汽车
- 1923 The first Mauser special sewing machine is introduced.
(German Patent: DE 410 952)
German T : 336 284 is established
第一台毛瑟特种缝纫机诞生。(德国专利号: DE 410 952)
德国商标336 284成立
- 1929 At the international exhibition in Barcelona, Mauser is awarded with the Grand Prix for its sewing machine Type BHE
在巴塞罗那的国际展览会上，毛瑟凭借缝纫机机种“BHE”被授予大奖
- 1950 The production of industrial sewing machines becomes part of IWK Augsburg AG “Mauser” introduces automatically lubricated coverlock sewing machines and the “Mauserlock-Armabwärts-Viernadel-Sechsfadenmaschine”
 (“Mauserlock” four needles six thread feed-off-the-arm machine)
工业缝纫机成为卡尔斯鲁厄奥格斯堡工业厂股份公司生产产品的一部分
毛瑟引进有自动供油功能的包缝和绷缝两用机和“Mauserlock”
(四针六线曲臂机)
- The trade mark “MAUSER SPEZIAL” is established
(German TMs DE 618 326)
“MAUSER SPEZIAL” 商标成立。
(德国商标号: DE 618 326)
- 1975 The “MAUSER SPEZIAL”-product line is bought by G. M. Pfaff AG (today Pfaff Industriesysteme und Maschinen GmbH)
G. M. Pfaff AG 收购“MAUSER SPEZIAL”的产品线(现百福工业系统及机械有限责任公司)
- 2010 New Logo and TMs are introduced
European TMs: 9 928 805, 9 359 167
新的徽标和商标成立。
欧洲商标号: 9 928 805, 9 359 167
- 2013 SG Group Co. Ltd. takes over Pfaff
上工申贝(集团)股份有限公司收购百福公司
- 2016 New Logo and TMs are introduced
新的徽标和商标成立。

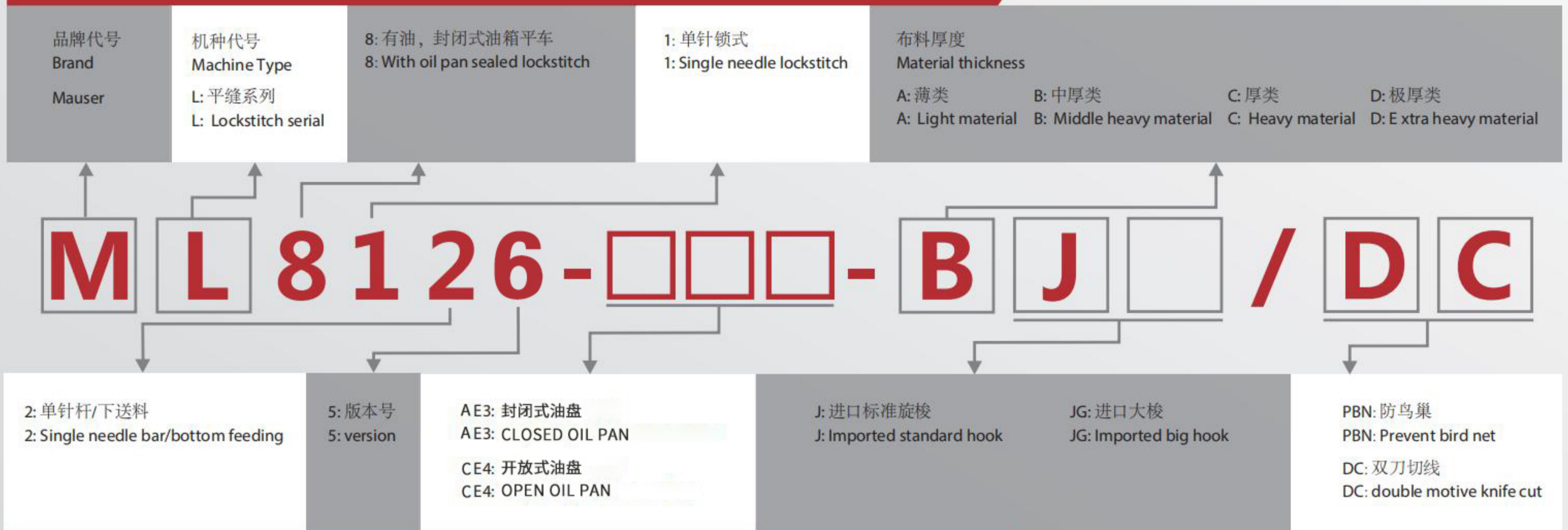


机器说明/Machine Description

具有自动剪线、倒缝、夹线、抬压脚功能，可选双动刀剪线使剪线后残留的线头更短。广泛适用于各种衬衫、西服、裤子等服装的缝纫。

With function of Auto-trimmer, backtacking, tension, auto presser foot lifter, Optional function: Double motive knife, with shorter thread after thread trimming. Suitable for seam on shirts, trousers, etc.

型号描述/Model Descriptions



技术参数/Technical Data

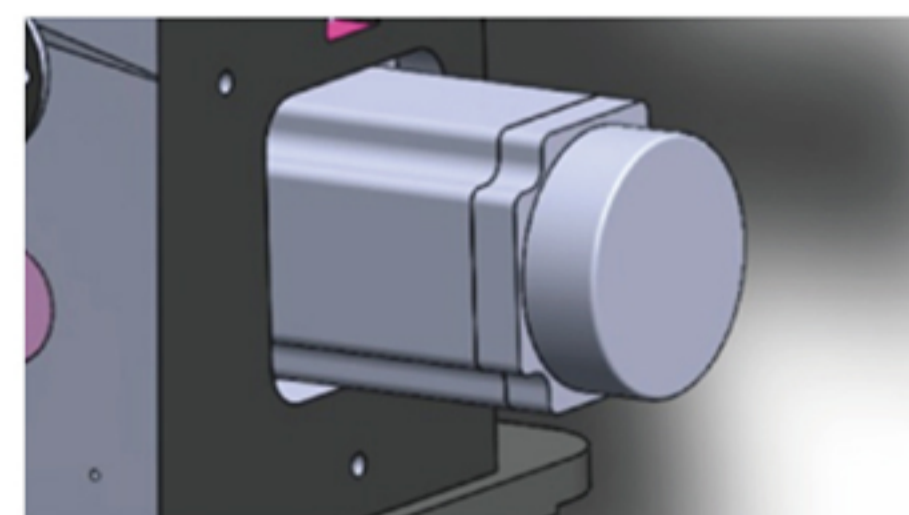
Model	★	—	★	★	5	5.5/13	30.7	DBX1#14	5000	★	—	550	700X270X560	39/46
ML 8126-AE4-BC	★	—	★	★	5	5.5/13	30.7	DBX1#14	5000	★	—	550	700X270X560	39/46
ML 8126-AE4-BC/DC	★	—	★	★	5	5.5/13	30.7	DBX1#14	5000	★	—	550	700X270X560	39/46
ML 8126-CE4-BC	★	—	★	★	5	5.5/13	30.7	DBX1#14	5000	★	—	550	700X270X560	38/45
ML 8126-CE4-BC/DC	★	—	★	★	5	5.5/13	30.7	DBX1#14	5000	★	—	550	700X270X560	38/45
ML 8126-AE4-CC	—	★	★	★	7	6/13	35	DBX5#18	4000	★	—	550	700X270X560	39/46
ML 8126-AE4-CCG	—	★	★	★	7	6/13	35	DBX5#18	4000	—	★	550	700X270X560	39/46
ML 8126-CE4-CC	—	★	★	★	7	6/13	35	DBX5#18	4000	★	—	550	700X270X560	38/45
ML 8126-CE4-CCG	—	★	★	★	7	6/13	35	DBX5#18	4000	—	★	550	700X270X560	38/45

本机优势/Advantages



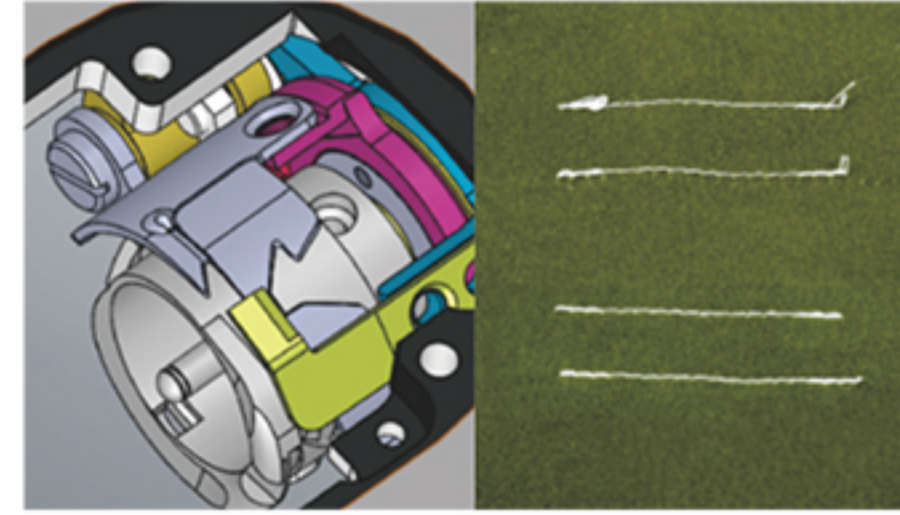
集成内嵌式的大屏操作面板，新增花样固缝功能，标配语音功能、USB功能，5V输出

Integrated built-in large-screen operation panel, new pattern fixing function, standard voice function, USB function, 5V output



采用电机控制针距，针距更加稳定，降低倒缝声音

The motor is used to control the stitch length, the stitch length is more stable, and the reverse sewing sound is reduced



可选双动刀剪线设计(专利号201820740488.5)，双动刀剪线自动加密功能，线头长度3mm，不用人工修剪

Optional double-action knife threadtrimming design (patent number 201820740488.5), double-action knives thread trimming automatic encryption function, thread length 3mm, no manual trimming



标配自动抬压脚和电子夹线功能

Equipped with automatic lifting foot and electronic clamping function

上海市浦东新区新金桥路1566号金苑楼

上工申贝(集团)股份有限公司
Shang Gong Group Co., Ltd.

1566 Xinjinqiao Road, Shanghai 201206, China

Tel: +(86)21 6393 8822

Fax: +(86)21 6307 8413

Email: info@dap-china.com

Internet: www.dap-china.com



MAUSER
S P E Z I A L

技术参数:

最高转速:

5000rpm

送料方式:

下送料

针距长度:

0.5-5mm

压脚高度:

5.5-13mm

针杆行程:

30.7mm

马达:

AC 伺服电机 550W

Maximum Speed:

5000rpm

Feeding Method:

Bottom feed

Stitch Length:

0.5-5mm

Presser Foot Height:

5.5-13mm

Needle Bar Stroke:

30.7mm

Motor:

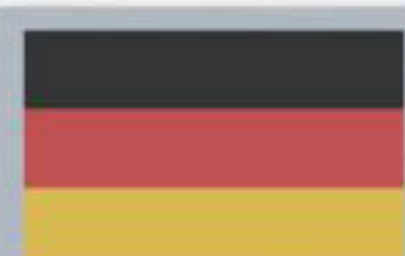
AC servo motor 550W



关注企业微信公众号
上工申贝集团



关注企业微信公众号
DAPShanghai



ORIGINATED FROM
GERMANY

上工申贝（集团）股份有限公司
Shang Gong Group Co., Ltd.

上海市浦东新区新金桥路1566号金苑楼
Jinyuan Building, 1566 Xinqinqiao Road,
Shanghai 201206, China

Tel :+(86)21 6393 8822

Fax:+(86)21 6307 8413

E-mail:info@dap-china.com

Internet:www.sgsbgroup.com